

PE Tailed Resilient Seated Gate Valve Kits

DN80 to DN300 PN16

Resilient Seated PE Tailed Gate Valve Kits for potable water and sewer applications.

PRODUCT DETAILS

Combining a high quality WSAA Approved gate valve with pre-assembled PE spigot flange adaptors. Matrix Piping™s PE Tail Valve Kits are the ultimate choice for new installations and service extensions. Providing best installation flexibility and cost efficiencies over against clamped PE tailed valves - there's no risk of needing to discard a valve due to welding difficulties.

No Denso or corrosion protection required, all components either FBE coated, PE100 or Stainless Steel.

APPLICATION

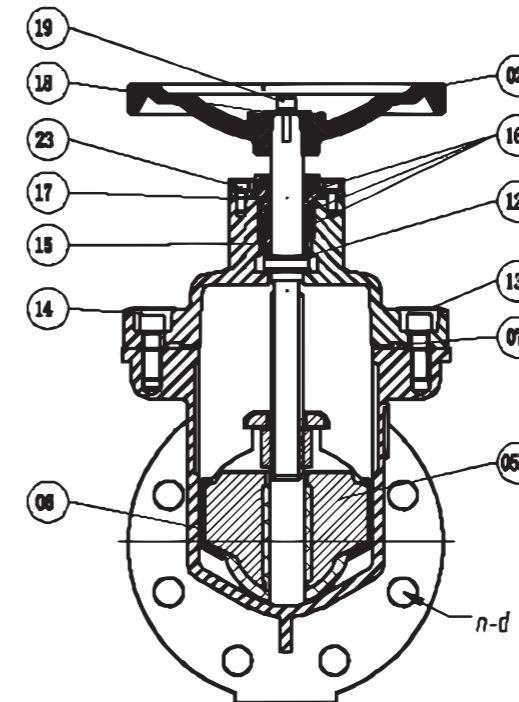
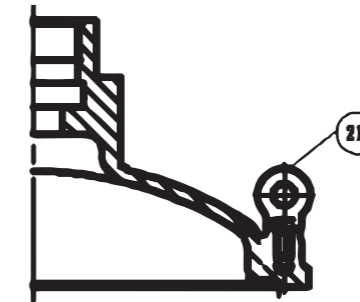
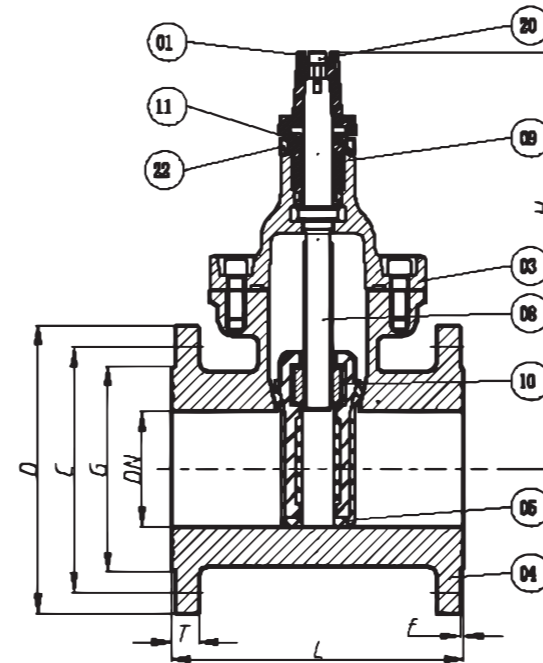
These gate valve kits are designed and suitable for use for all potable water, sewer, pressure and non-pressure applications, whether it be for a new installation or part of a pipeline renewal program.

FEATURES AND BENEFITS

- Pre-assembled kit - saves installation time
- Ultimate installation flexibility
- Compact and lightweight
- Gate guide system for low torque opening and closing of the gate
- FBE coated, 316 stainless steel or PE100 components for the ultimate corrosion protection
- Full bore waterway

TECHNICAL SPECIFICATIONS

Size Range:	DN80 - DN300
Pressure Rating:	PN16
Temperature	40°C
Production Certification	Dual Licenced WaterMark WM022535 and OceanaMark OMK22535 Licences WSAA PA: PA 1517



ITEM	DESCRIPTION	MATERIAL
1	Cap	GJS 500-7
2	Handwheel	GJS 500-7
3	Bonnet	GJS 500-7
4	Body	GJS 500-7
5	Wedge	GJS 500-7 and EPDM
6	Nylon Slide	Nylon66
7	Rubber Seal	EPDM
8	Stem	SS431
9	Gland Nut	C83600
10	Driving Nut	C83600
11	Scraper Seal	PU
12	Gasket	Nylon66
13	Dust Cap/Silicon	Plastic/Silicon
14	Bolt	SS316
15	O-Ring	NBR
16	O-Ring	NBR
17	O-Ring	NBR
18	Handwheel Gasket	SS316
19	Handwheel Bolt	SS316
20	Cap Bolt	SS316
21	Lifting Eye	Galvanised Iron
22	Gland Flange	SS316
23	Gland FLange Bolts	SS316

DN	L	H	D	C	f	S/NZS 4087 Fig B5		
						G	T	n-Ød
80	203	290	185	146	3	122	18	4-18
100	229	325	215	178	3	154	20	4-18
150	267	400	280	235	3	211	23	8-18
200	292	558	335	292	3	268	23	8-18
225	305	570	370	324	3	300	24	8-18
250	330	664	405	356	3	328	24	8-22
300	356	730	455	406	4	378	30	12-22