



AXH.FDCTSQ.09

Heated Food Display Countertop - Square

Product Information:

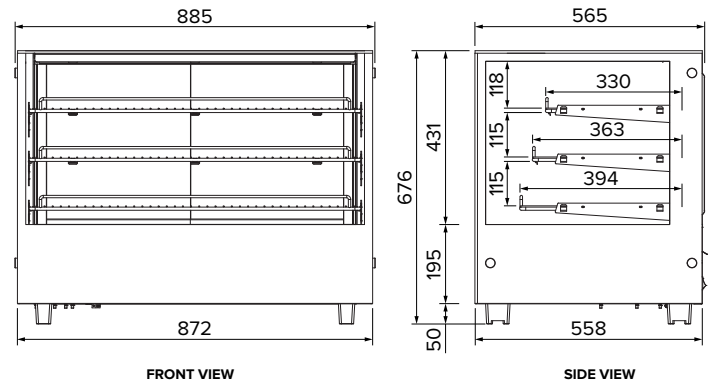
- Adjustable digital temperature control (from 60°C - 80°C)
- Efficient LED lighting on each shelf for increased product visibility
- Frameless glass construction (single glazed) for exceptional display
- Water pan positioned for easy access, introducing humidity into the display - keeping products fresher for longer
- 3 tier (adjustable shelves)
- Supplied with sliding glass doors to rear

Designed and Engineered in Australia to meet Australian Standards
24 Months on-site parts and labour warranty



Specifications

| | |
|-------------------------------|------------------------------------|
| Model | AXH.FDCTSQ.09 |
| W x D x H (mm) | 885 x 565 x 676 |
| Weight | 52kg |
| Packed Dimensions (mm) | 955 x 636 x 840 |
| Packed Weight | 78kg |
| Net Capacity | 160 Litres |
| Operation | 60°C - 80°C |
| Total Connected Load | 0.8kW |
| Electrical Connection | 230VAC / 50Hz (10A plug & lead) |



Due to continuous product research and development,
the information contained herein is subject to change without notice.

Revision: F - 01/07/2024 - 02

www.stoddart.com.au
www.stoddart.co.nz

