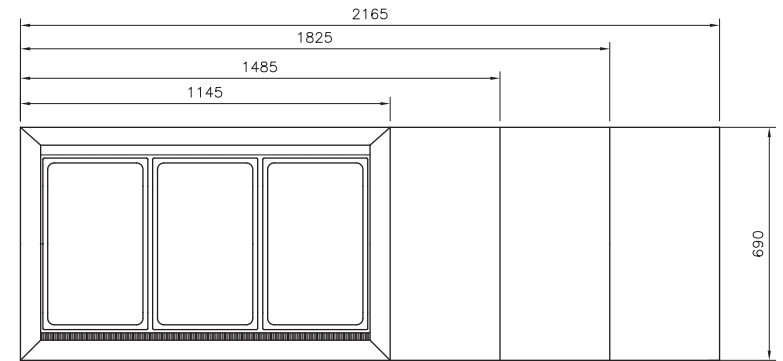
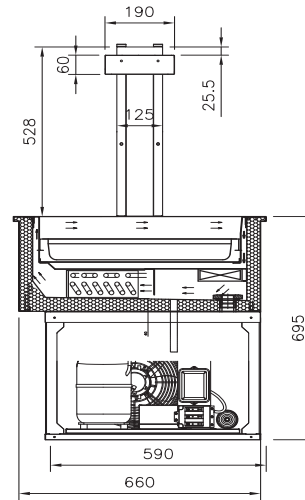




## RF

LSRF2  
LSRF3  
LSRF4  
LSRF5  
LSRF6

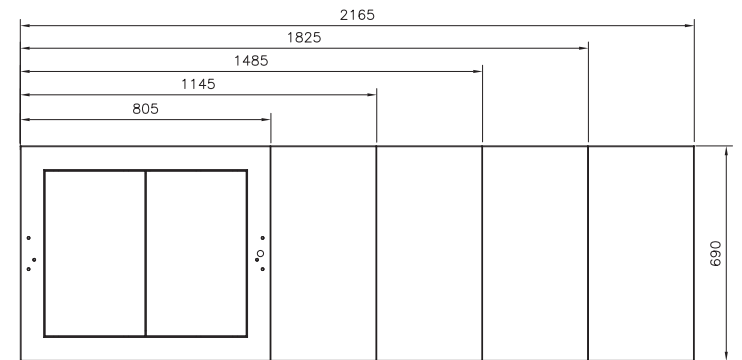
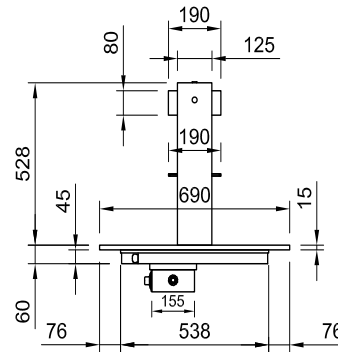
- Deck forced refrigeration
- Canopy LED light
- Integral condensor
- Self evaporating
- 65mm deep full size pans supplied



## CM

LSCM2  
LSCM3  
LSCM4  
LSCM5  
LSCM6

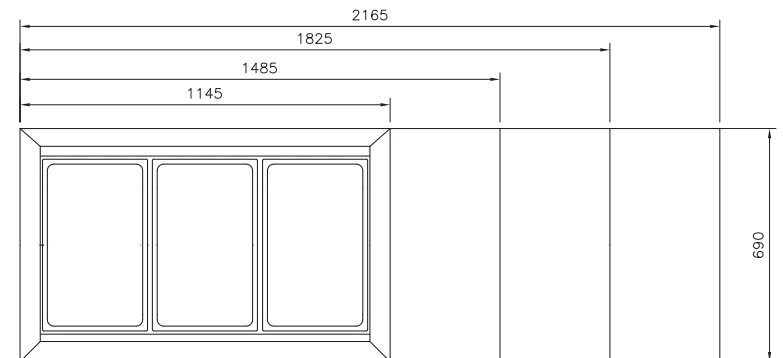
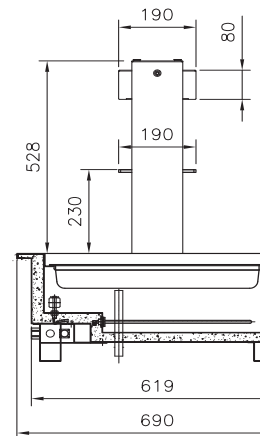
- Ceramic Heated Glass
- Overhead Halogen Lamps
- Thermostatically controlled



## BM

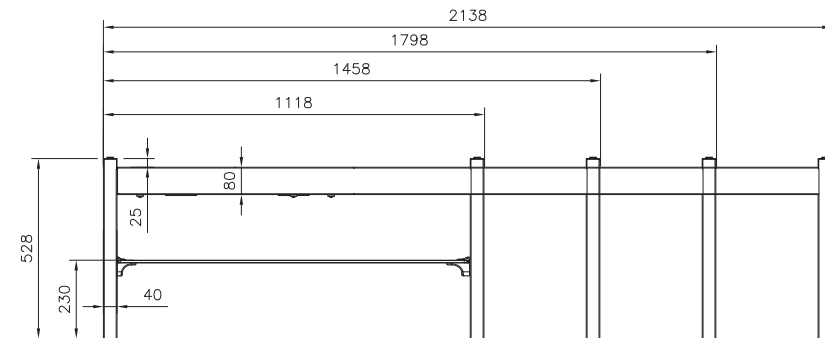
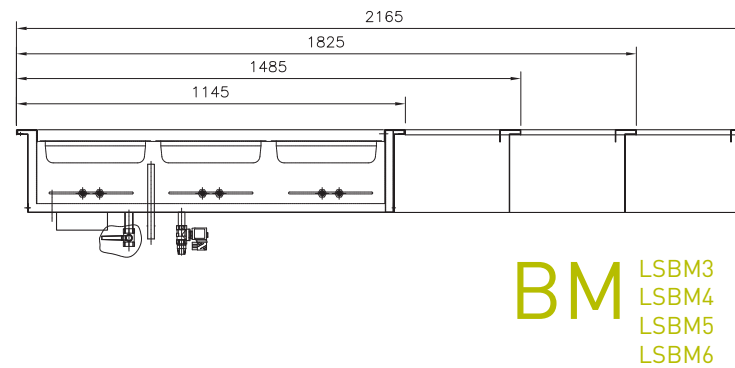
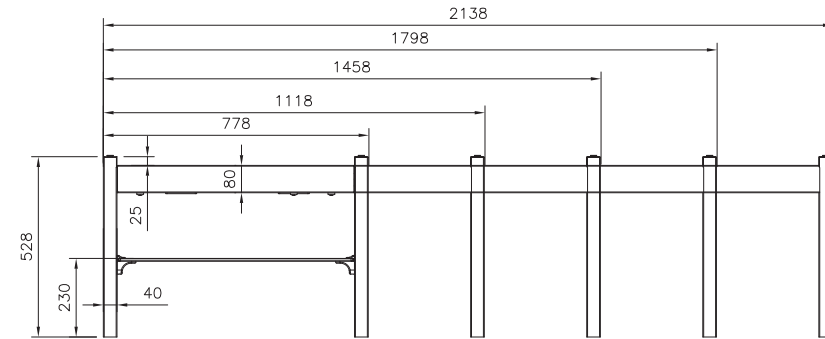
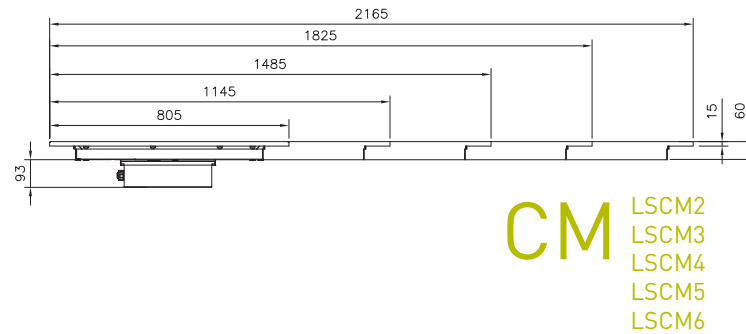
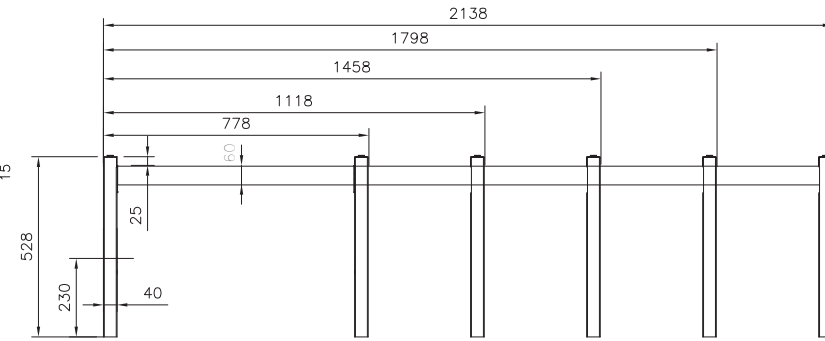
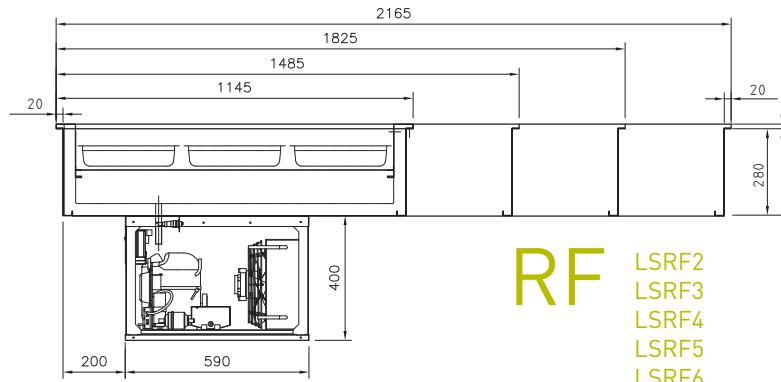
LSBM3  
LSBM4  
LSBM5  
LSBM6

- Auto Fill
- Wet elements
- Overhead halogen lights
- Full size pans 65mm deep supplied



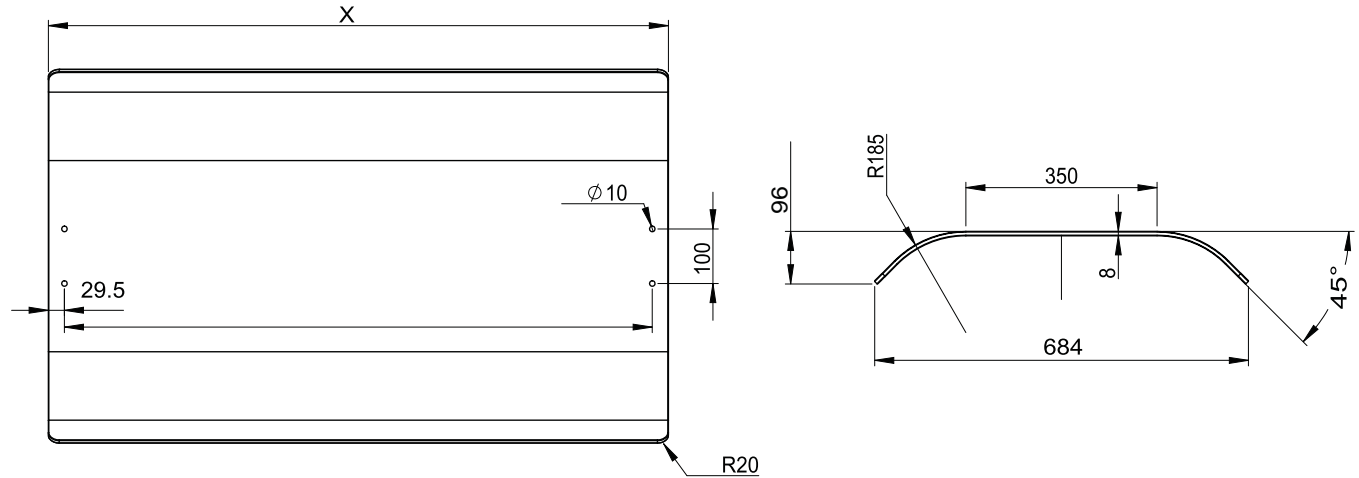
### CABINET DIMENSIONS & SPECIFICATIONS

MODEL	CABINET			CUT OUTS	PANS	TEMP RANGE	WATER FILL LITRES	POWER CORD LENGTH	FREQUENCY	REFRIGERANT	OPERATING CURRENT	CONNECTION	VOLTAGE	PACKED FOR SHIPPING				
	LENGTH [MM]	DEPTH [MM]	HEIGHT [MM]											65MM	DEG C	LENGTH [MM]	DEPTH [MM]	HEIGHT [MM]
LSRF2	805	690	555	785x670	2 X 1/1	3-5		2200MM	50 HZ	134A	4.6 AMP	10AMP 3 PIN PLUG	220-240V	910	770	1060	128	1.0103
LSRF3	1145	690	555	1125x670	3 X 1/1	3-5		2200MM	50 HZ	134A	4.6 AMP	10AMP 3 PIN PLUG	220-240V	1250	770	1060	128	1.0103
LSRF4	1485	690	555	1465x670	4 X 1/1	3-5		2200MM	50 HZ	134A	4.8 AMP	10AMP 3 PIN PLUG	220-240V	1590	770	1060	152	1.2978
LSRF5	1825	690	555	1805x670	5 X 1/1	3-5		2200MM	50 HZ	134A	4.8 AMP	10AMP 3 PIN PLUG	220-240V	1930	770	1060	179	1.5753
LSRF6	2165	690	555	2145x670	6 X 1/1	3-5		2200MM	50 HZ	134A	5 AMP	10AMP 3 PIN PLUG	220-240V	2270	770	1060	201	1.8528
LSBM3	1145	690	555	1125x670	3 X 1/1	75-85	57	3000MM	50/60 HZ	N/A	15 AMP	20 AMP LEAD ONLY	220-240V	1250	770	750	88	0.7219
LSBM4	1485	690	555	1465x670	4 x 1/1	75-85	75	3000MM	50/60 HZ	N/A	20 AMP	30 AMP LEAD ONLY	220-240V	1590	770	750	107	0.9182
LSBM5	1825	690	555	1805x670	5 x 1/1	75-85	93	3000MM	50/60 HZ	N/A	25 AMP	30 AMP LEAD ONLY	220-240V	1930	770	750	128	1.1146
LSBM6	2165	690	555	2145x670	6 x 1/1	75-85	113	3000MM	50/60 HZ	N/A	30 AMP	40 AMP LEAD ONLY	220-240V	2270	770	750	140	1.3109
LSCM2	805	690	555	745x600	N/A	100-115		3000MM	50/60 HZ	N/A	7.5 AMP	15 AMP LEAD ONLY	220-240V	910	770	500	76	0.3504
LSCM3	1145	690	555	1085x600	N/A	100-115		3000MM	50/60 HZ	N/A	11.3 AMP	15 AMP LEAD ONLY	220-240V	1250	770	500	88	0.4813
LSCM4	1485	690	555	1425x600	N/A	100-115		3000MM	50/60 HZ	N/A	15 AMP	20 AMP LEAD ONLY	220-240V	1590	770	500	107	0.6122
LSCM5	1825	690	555	1765x600	N/A	100-115		3000MM	50/60 HZ	N/A	18.8 AMP	20 AMP LEAD ONLY	220-240V	1930	770	500	128	0.7431
LSCM6	2165	690	555	2105x600	N/A	100-115		3000MM	50/60 HZ	N/A	22.5 AMP	30 AMP LEAD ONLY	220-240V	2270	770	500	140	0.8740

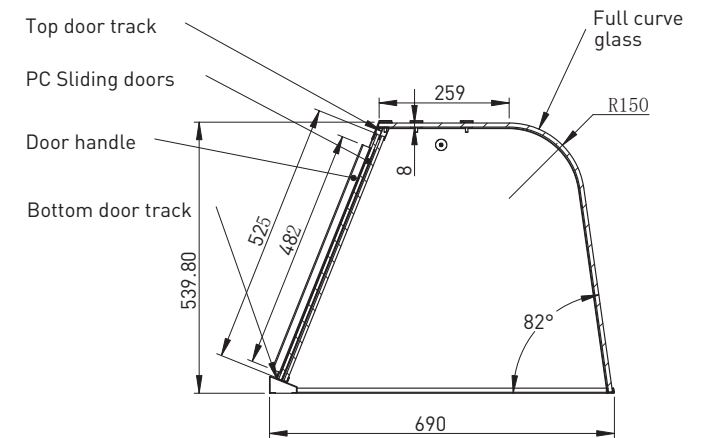
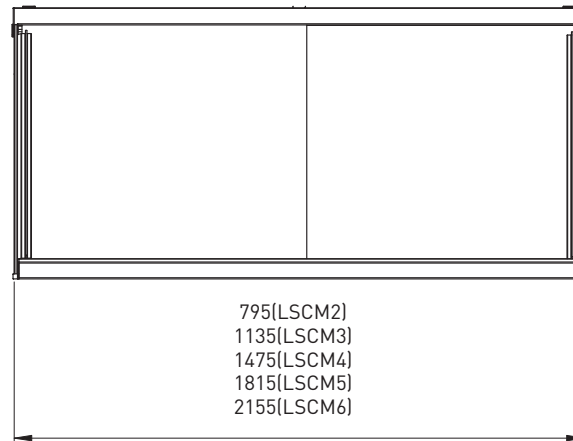




GLDC Double Curved Glass

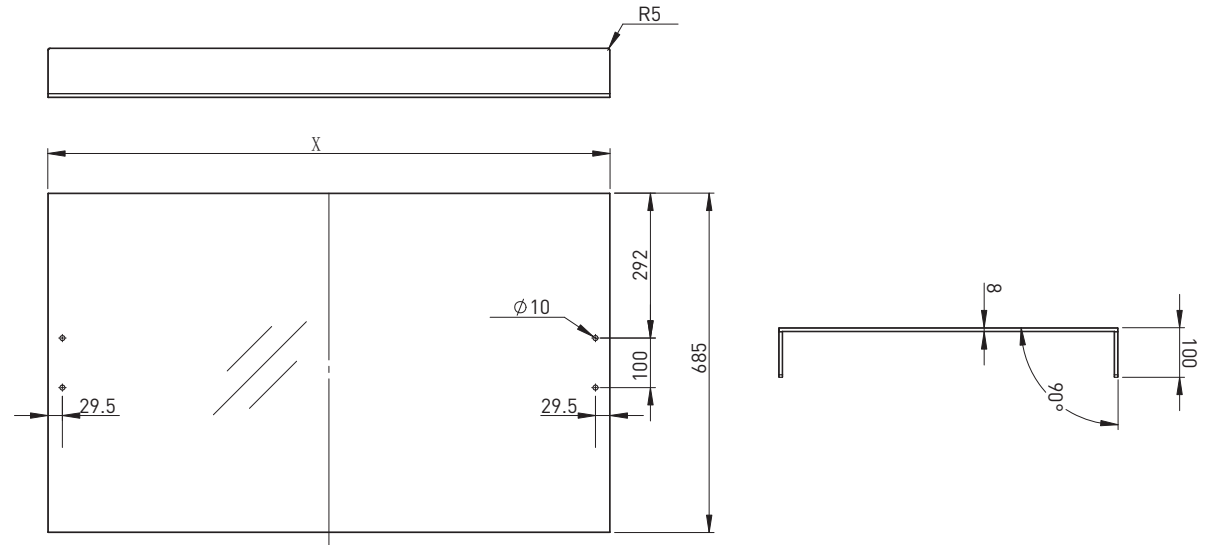


GLFC Full Curved Glass

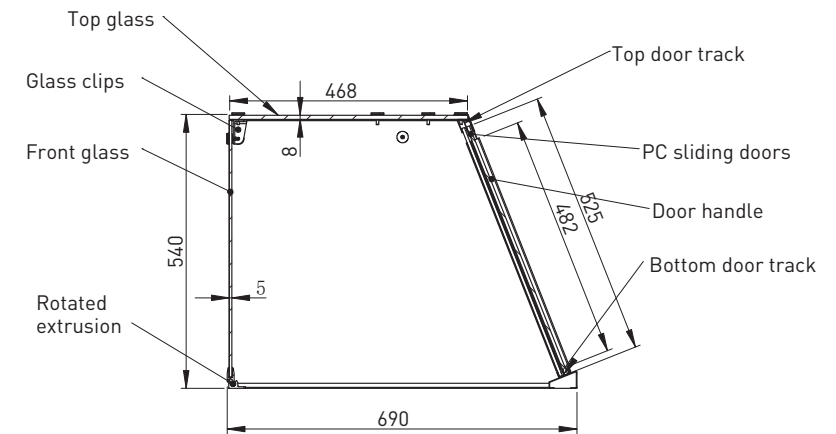
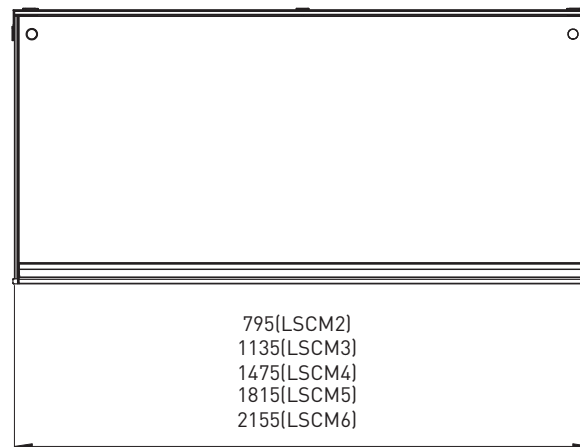


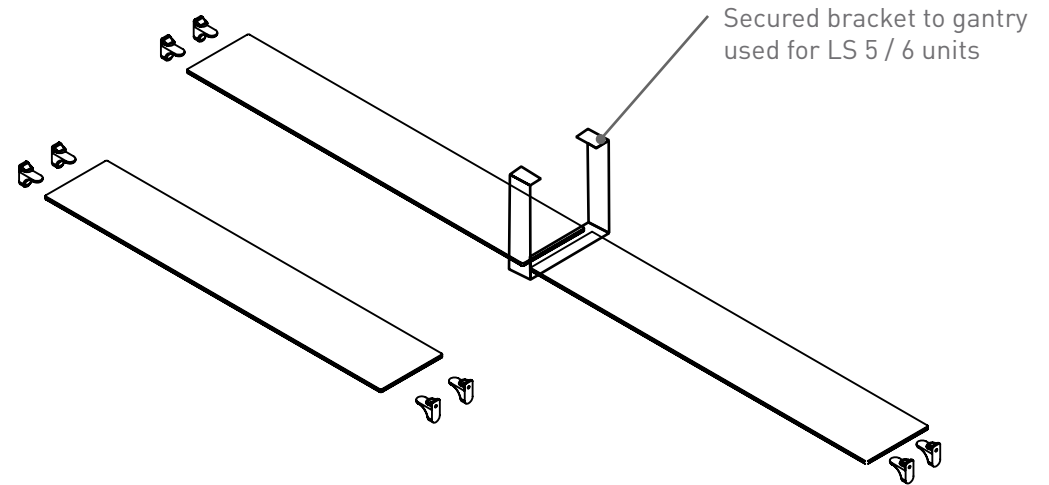


GLFT Flat Top



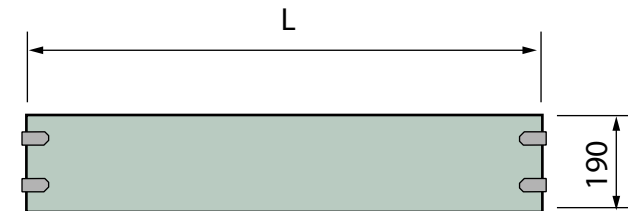
GLFSG Full Square Glass

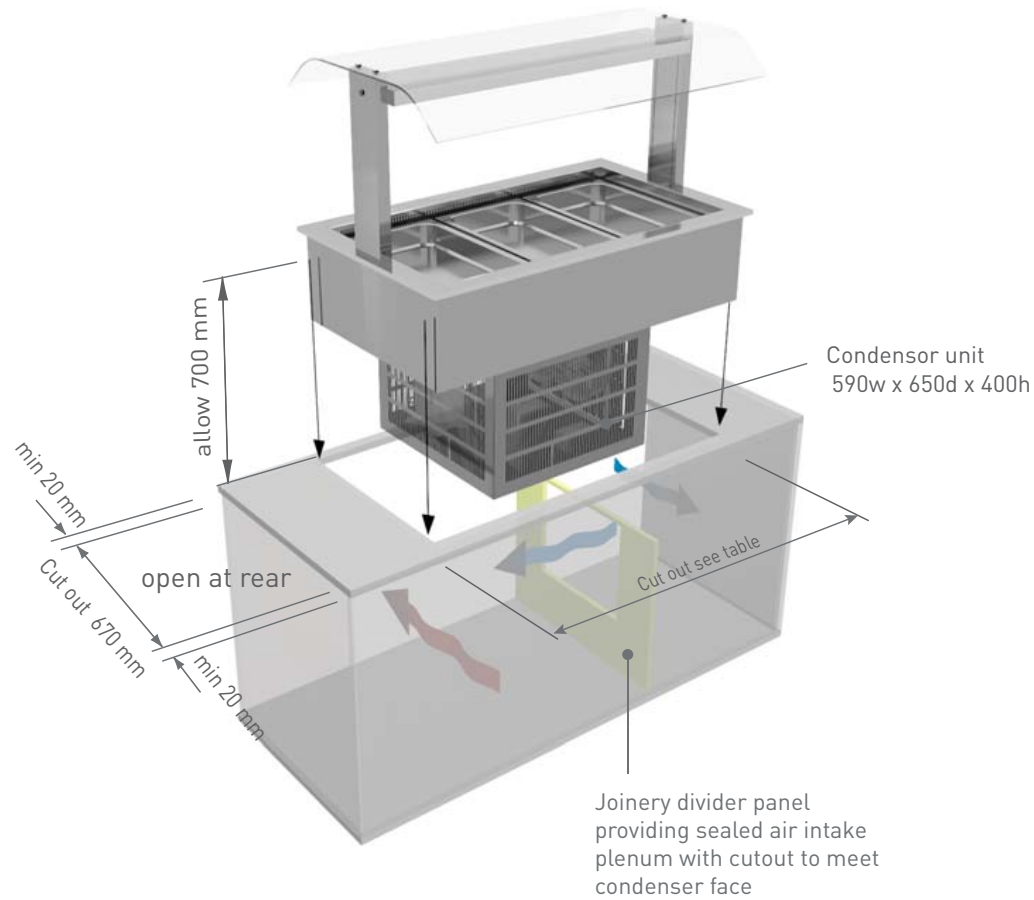




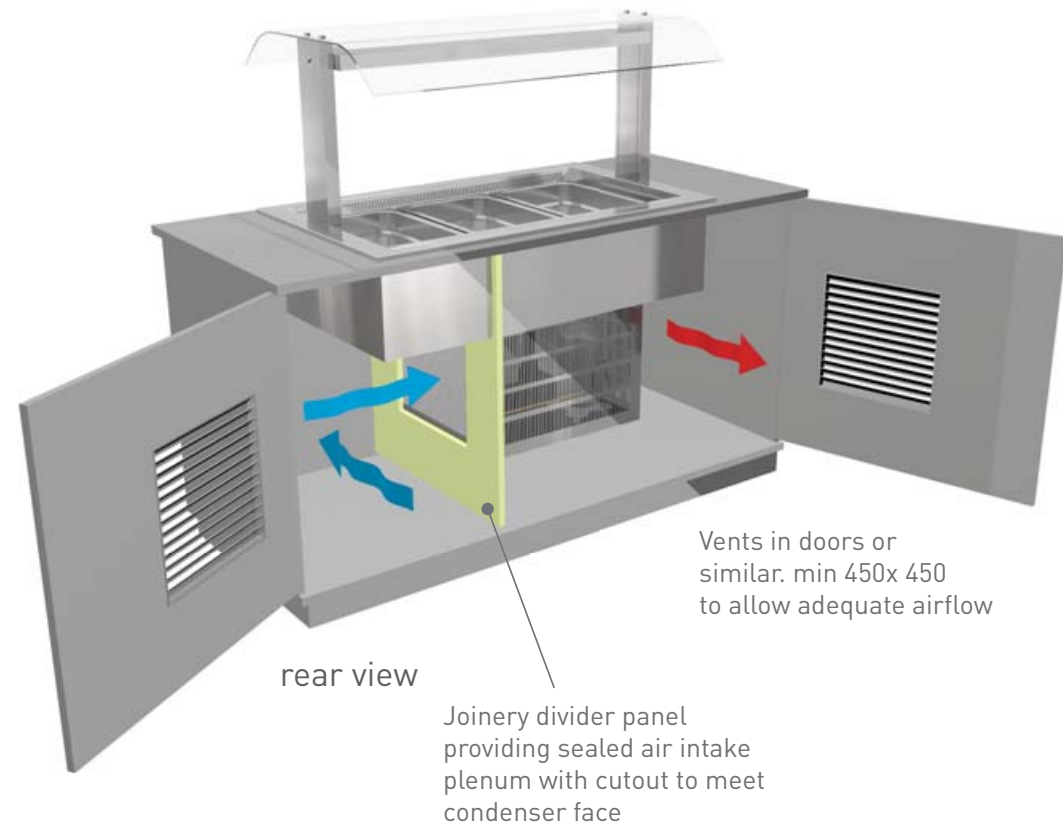
### GLASS SHELF DIMENSIONS & SPECIFICATIONS

MODEL	CODE	QUANTITY	TOTAL SHELF LENGTH	SHELF DEPTH
LS-2	GLMS2	1	685 MM	190 MM
LS-3	GLMS3	1	1025 MM	190 MM
LS-4	GLMS4	1	1365 MM	190 MM
LS-5	GLMS5	2	1705 MM	190 MM
LS-6	GLMS6	2	2045 MM	190 MM





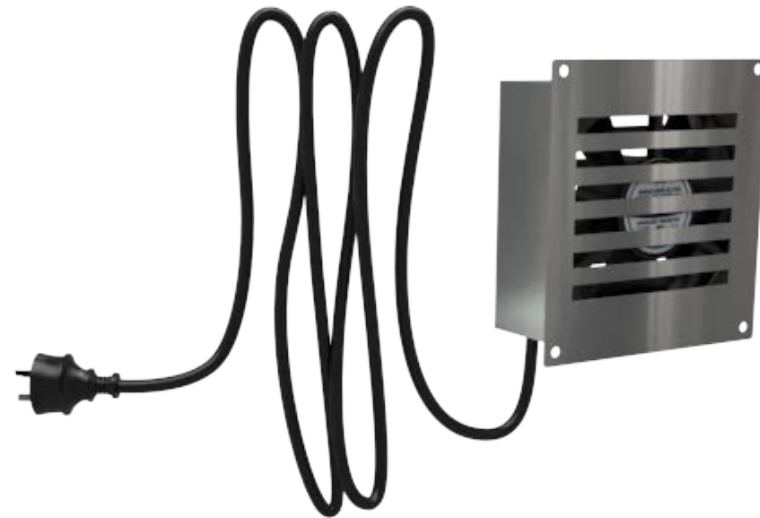
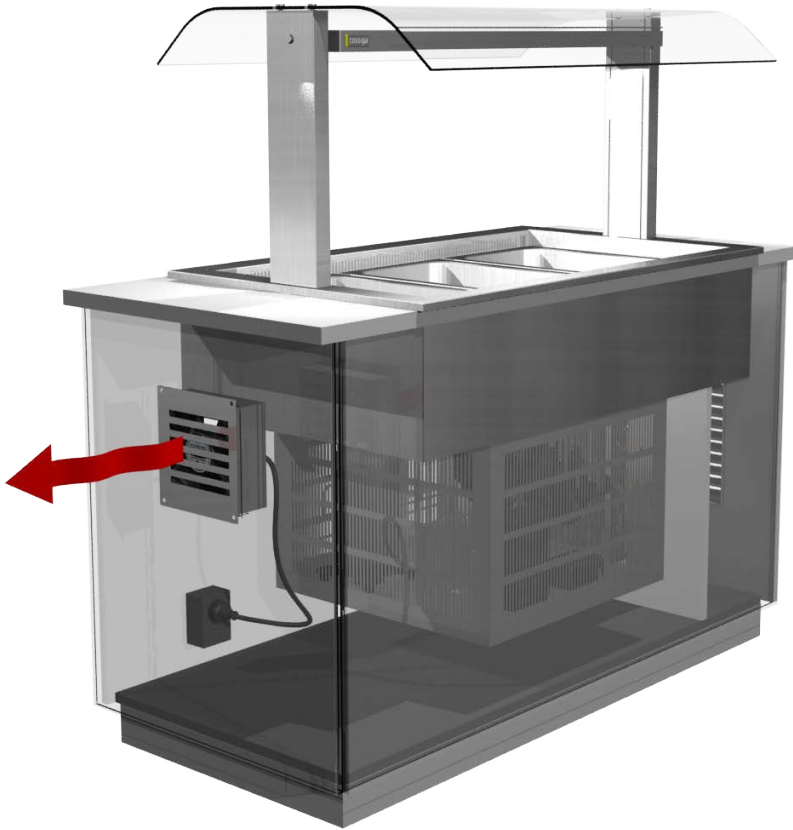
LSRF Drop In Cut Outs



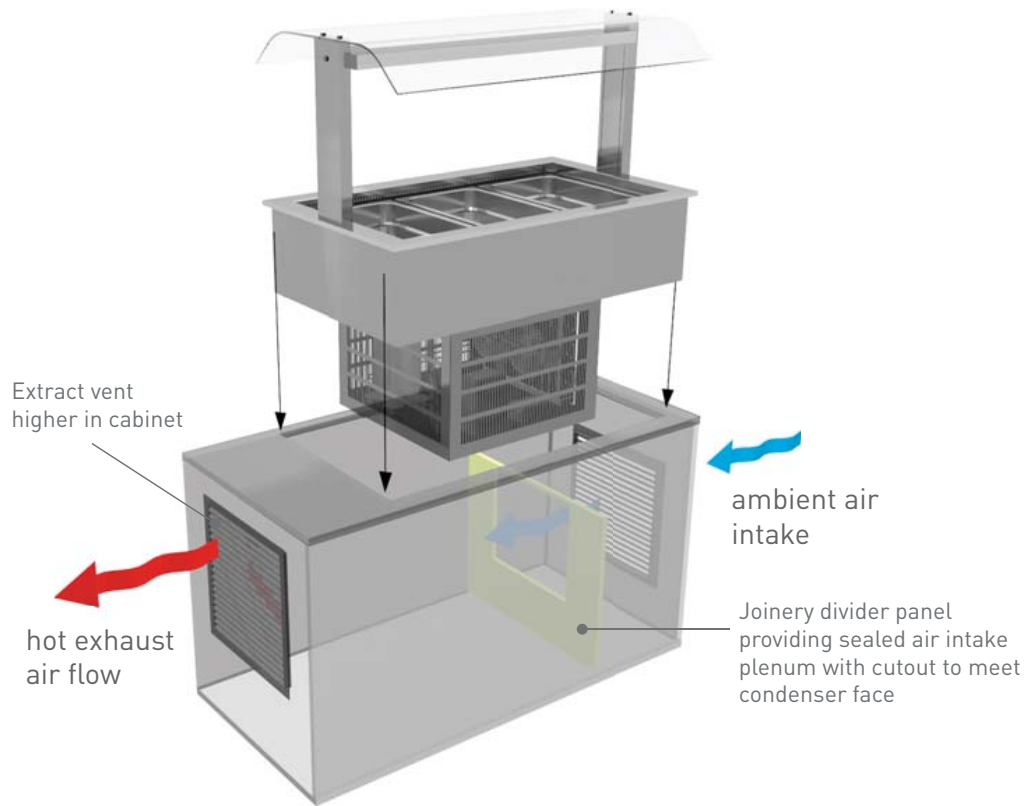
Island Ventilation - Vented Doors

## EXTRACTION FAN

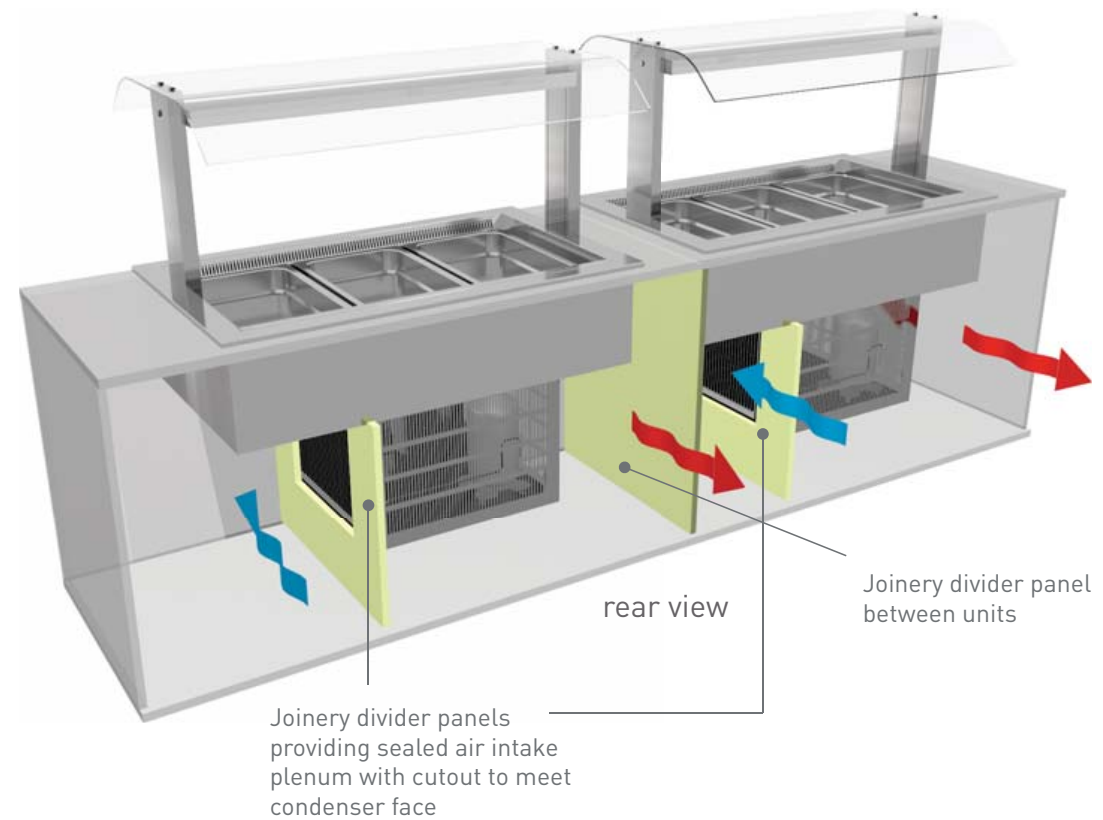
- Extract hot air from closed box joinery
- Fan and power cable supplied, screw fixed to joinery
- Electrical power cord 2000mm 3 pin 10 amp 1 phase socket required
- Fan 230v ~ 50Hz - 60Hz - 19 Watt in stainless steel case with switch



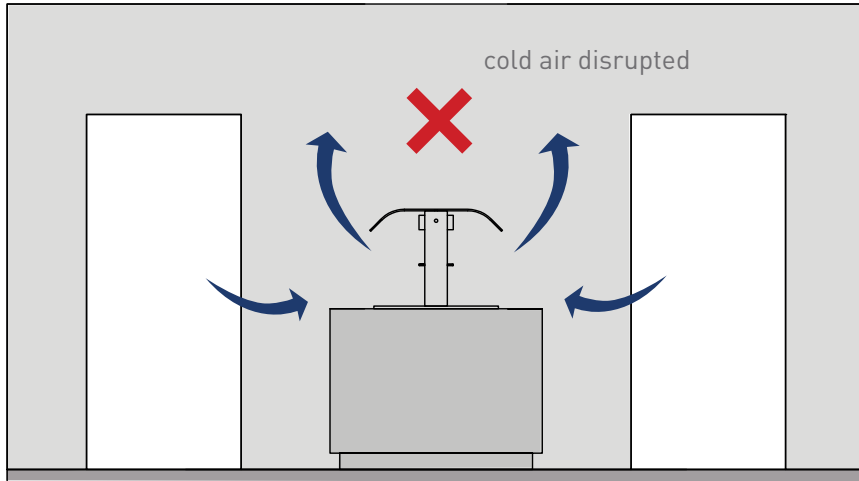




Island Ventilation - Vented Air Panels

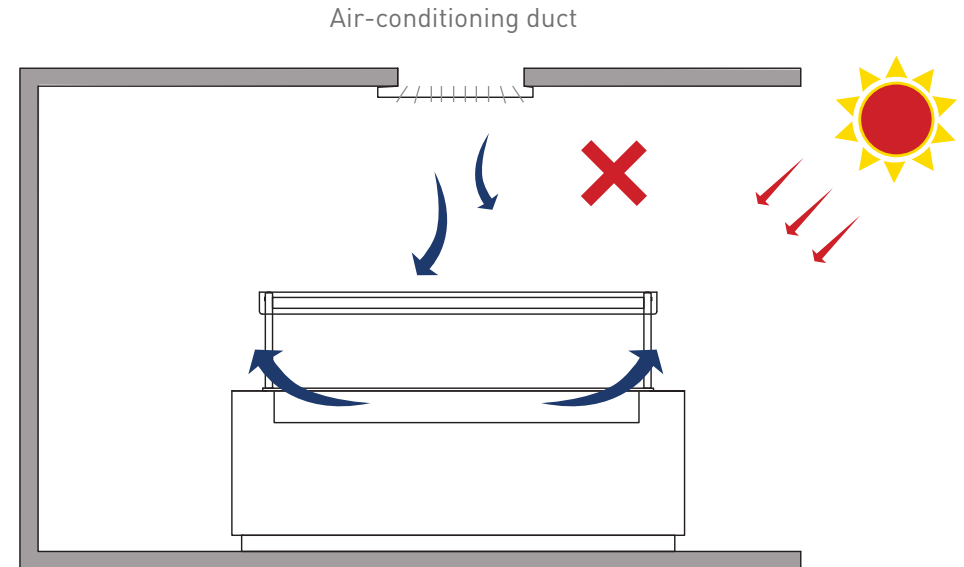


Multiple Units - Open Rear Side

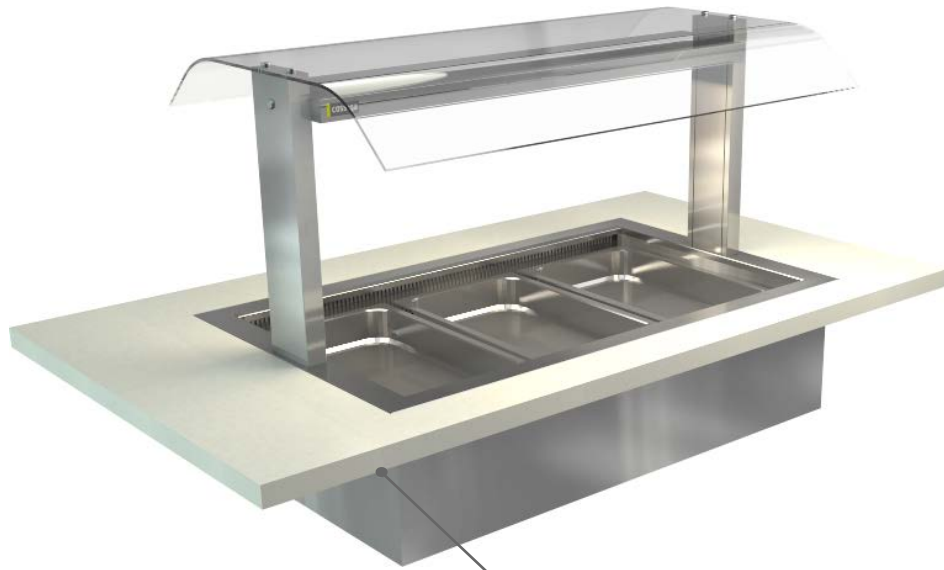


### Avoid

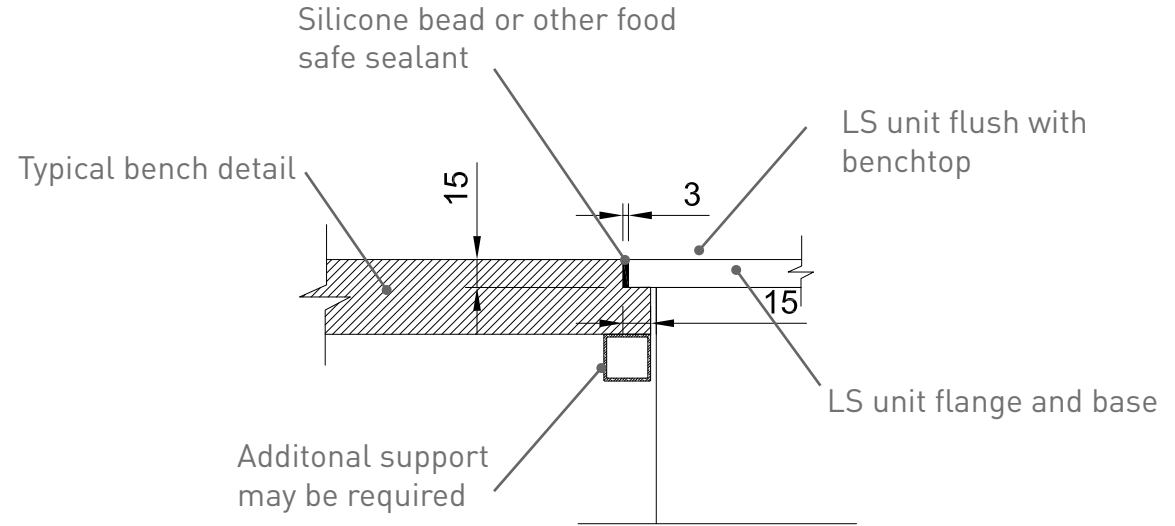
- Drafts from doorways
- Airflow from air-conditioning ducts
- Hot air from motors i.e. refrigerators
- Direct sunlight



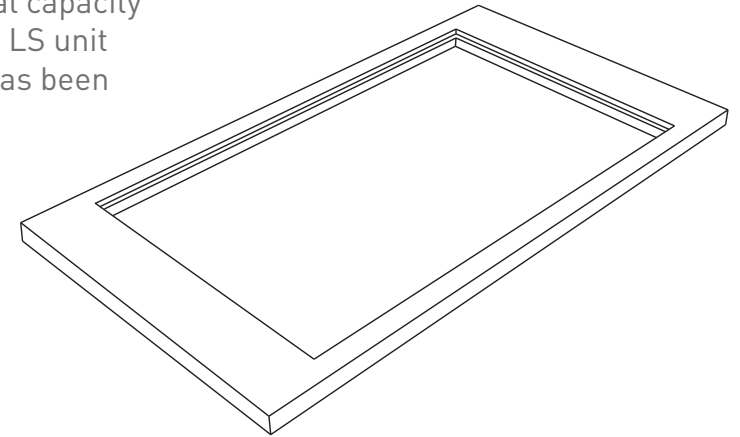
Also applies to heat disruption on Bain Marie and Ceramic Top units

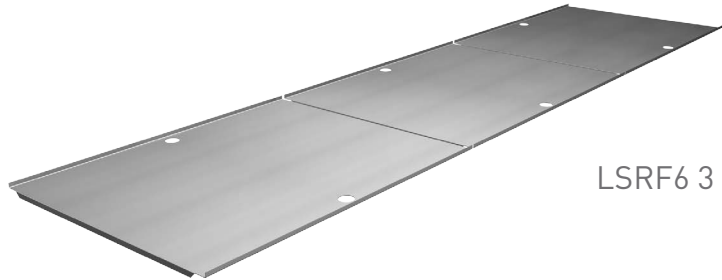


Additional support may be required under bench ie. s /s hollow section to frame



Counter top joinery must be of sufficient structural capacity to take the weight of the LS unit when the flange detail has been made.





LSRF6 3 x Trays



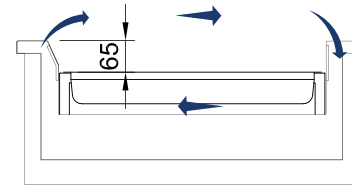
LSRF5 3 x Trays  
LSRF4



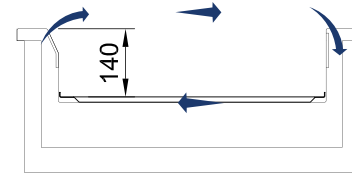
LSRF3 1 x Tray  
LSRF2



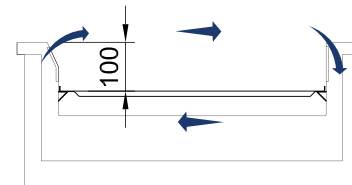
Pan Supports



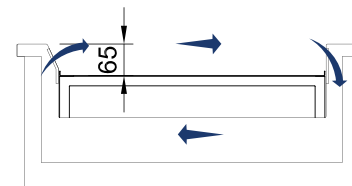
Gastronorm pan in pan support  
Standard configuration



Tray at base level for  
maximum depth



Tray at 100mm level for  
raised display using supplied  
clips



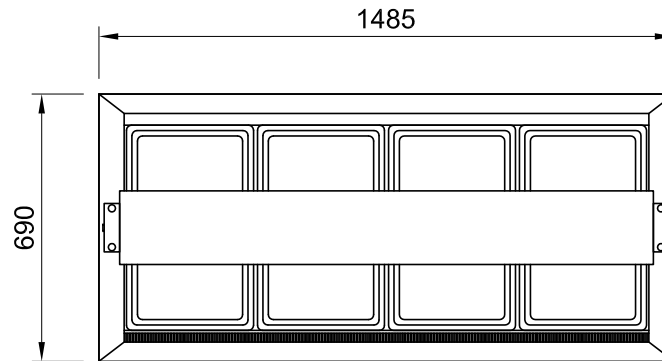
Tray at 65mm level on pan  
support for minimum depth  
display

### ELECTRICAL POWER

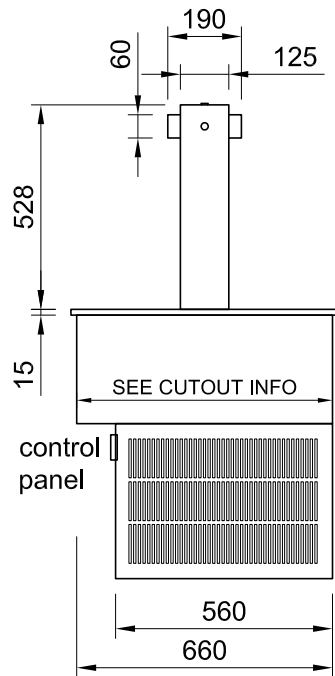
Electrical power cord 2200mm  
3 pin 10 amp 1 phase socket  
required.

Maximum ambient operating  
temperature climate  
class N max 32 °C

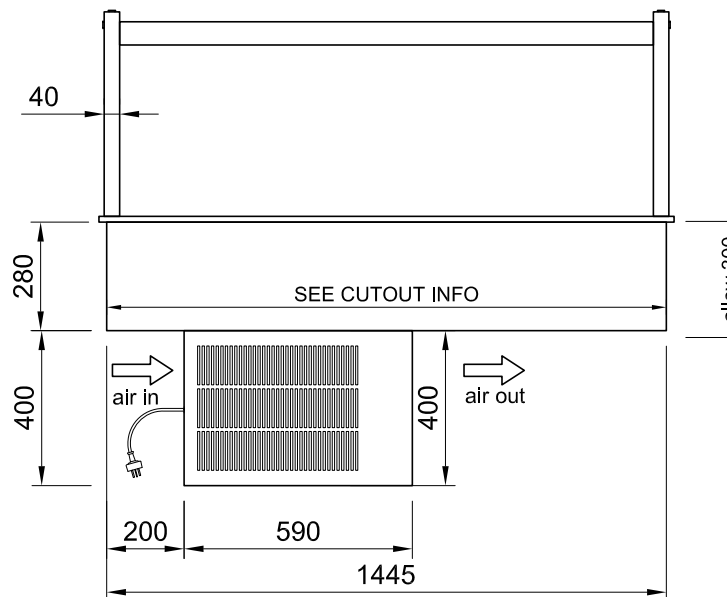
Clean condenser face at two  
weekly intervals



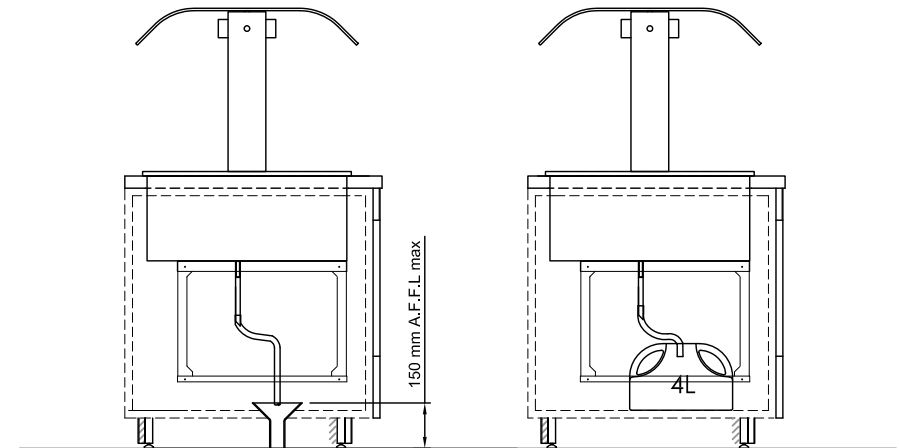
plan



left side elevation



front elevation



Units are self evaporating to a receptacle in the condenser unit. In areas of high humidity or should you wish a plastic hose can be attached to the end of the condensate drain and re-directed as shown.

### DRAINAGE OPTIONS

#### PLUMBED TUNDRISH DRAINAGE

- Maximum 150 mm above finished floor level
- Drainage to building waste
- Building waste by client

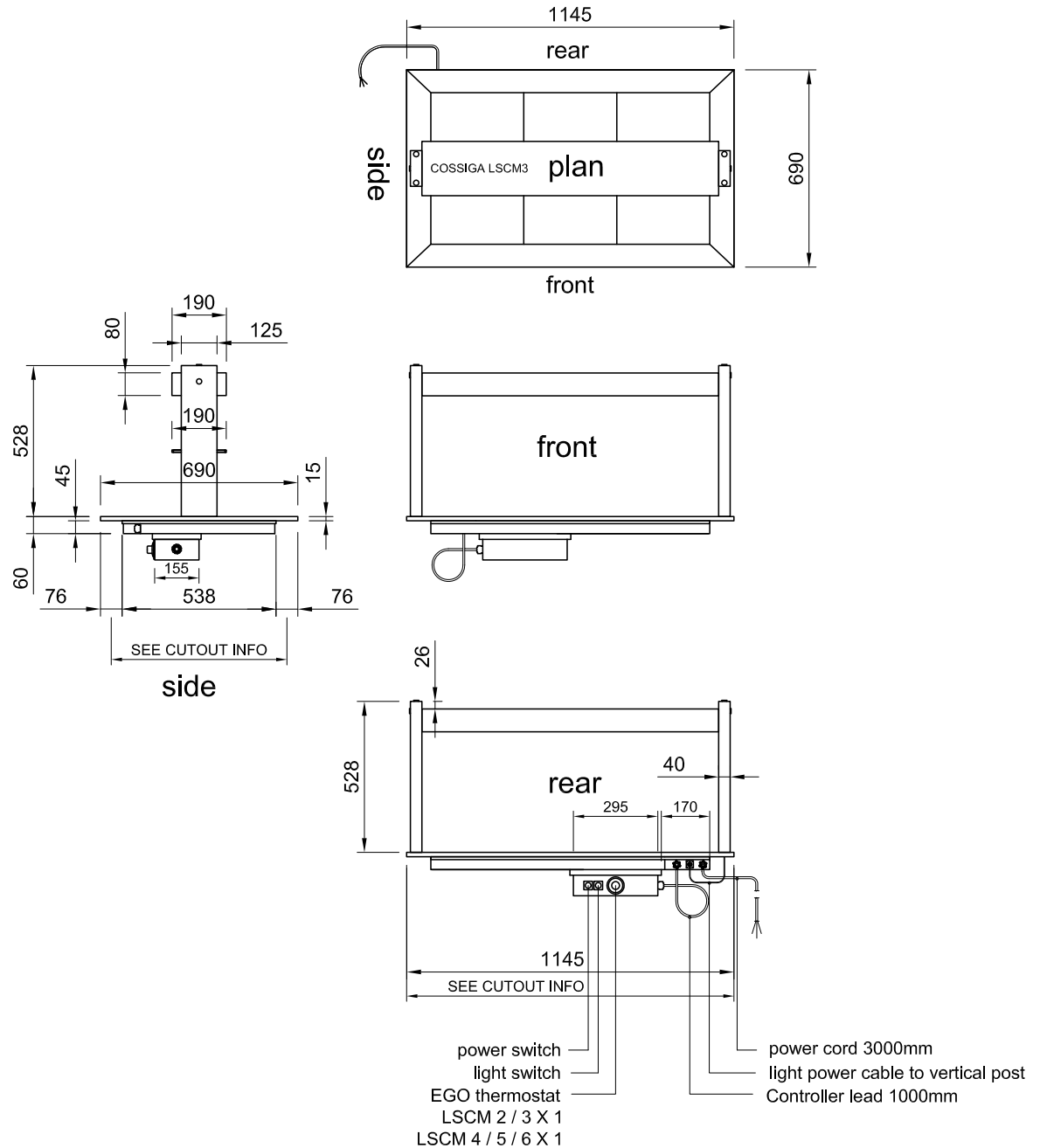
#### FREE STANDING RECIPIENT

- Receptacle placed under unit to receive condensate waste
- Dispose of waste water daily

### ELECTRICAL POWER

Electrical power cord 3000mm  
1 phase connection required.

Unit can be hard wired to isolation switch or fitted with suitable heavy duty plug such as PDL 56 series or Commando style plug.

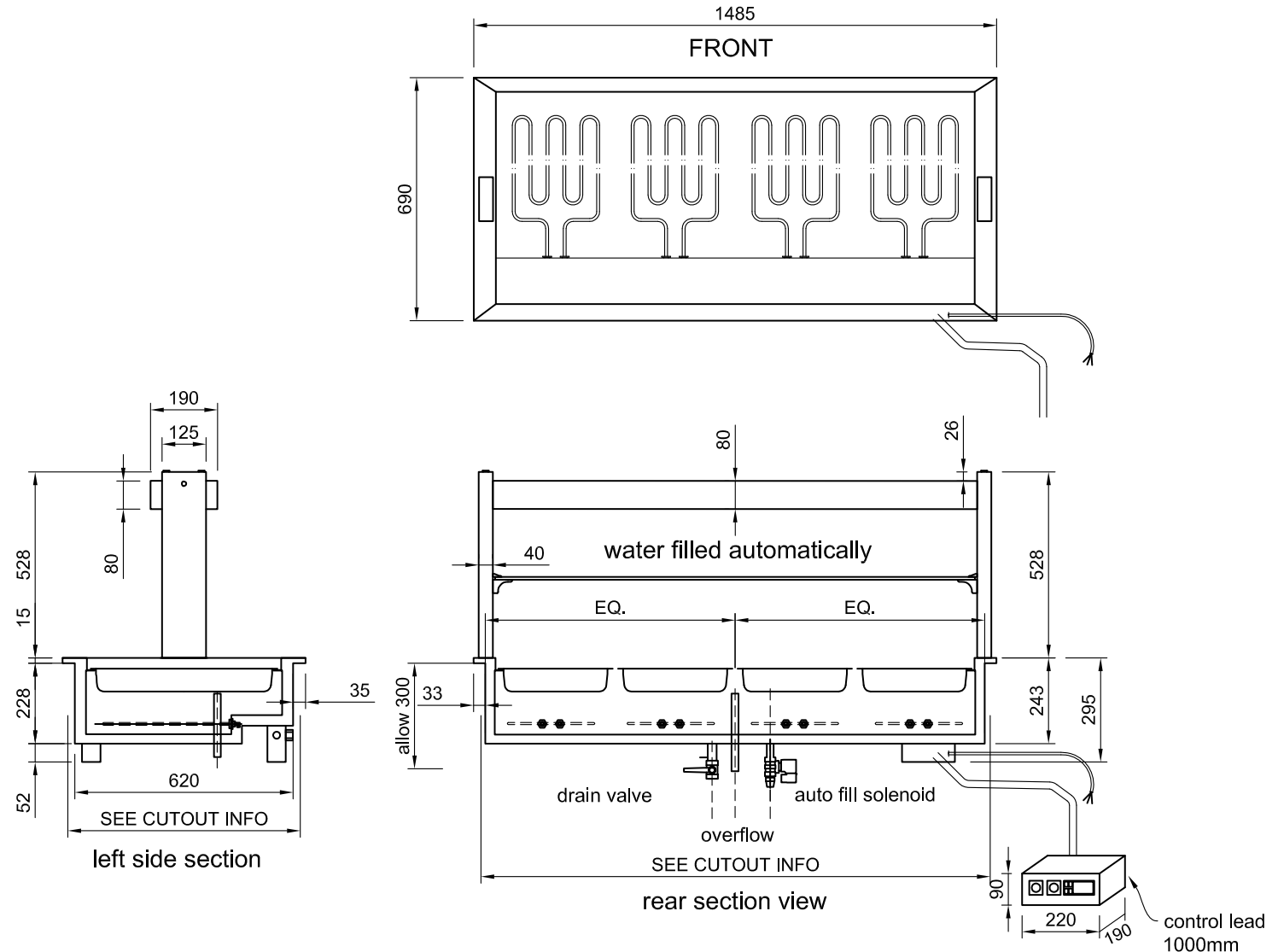


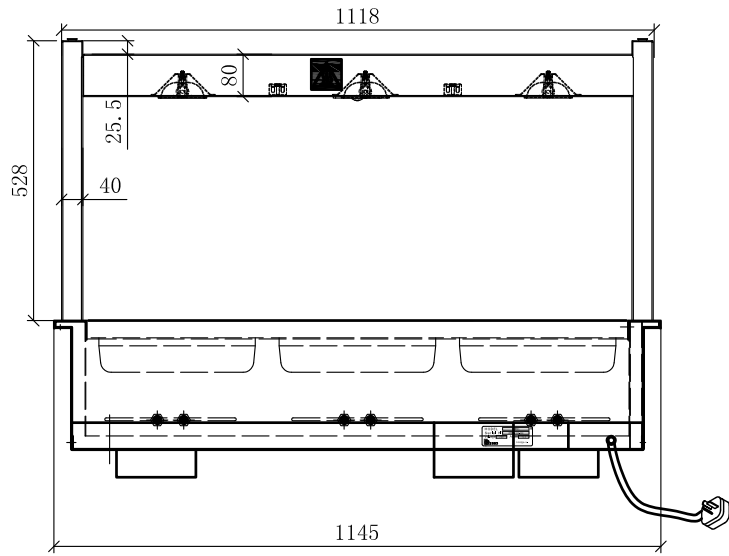
### ELECTRICAL POWER

Electrical power cord 3000mm  
1 phase connection required.  
Unit must be hard wired on site  
to isolation switch.

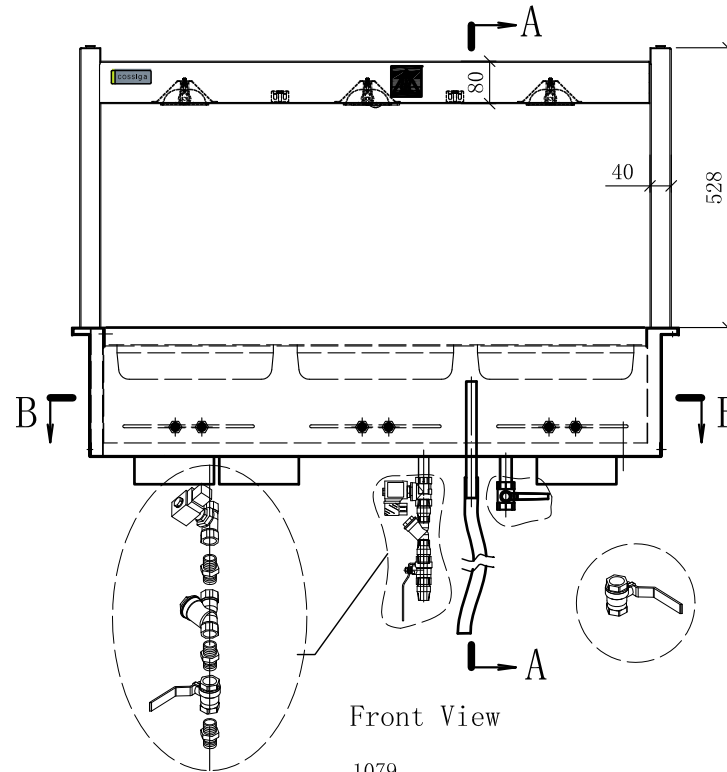
### WATER DRAINAGE

Screw on stop cock valve drain pipe  
Ideally drain connected to waste.  
Overflow flexible waste pipe 20mm  
dia.1000 mm length from valve must  
be connected to waste.

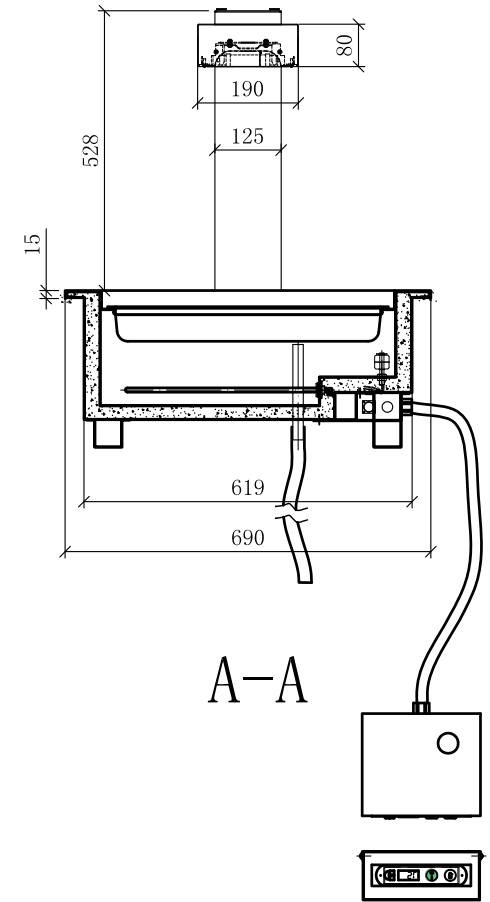




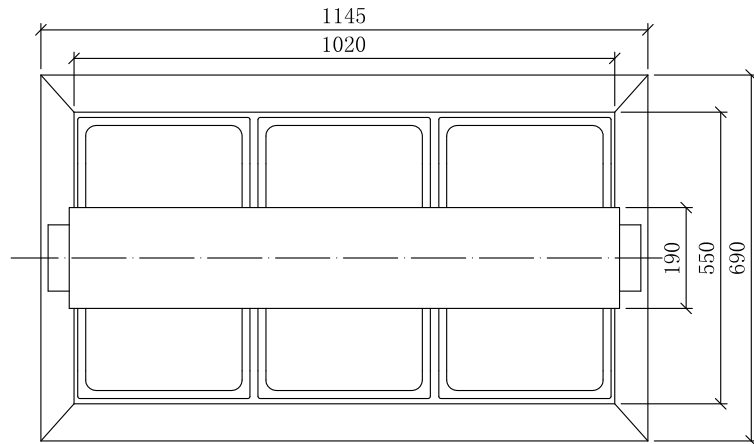
Rear View



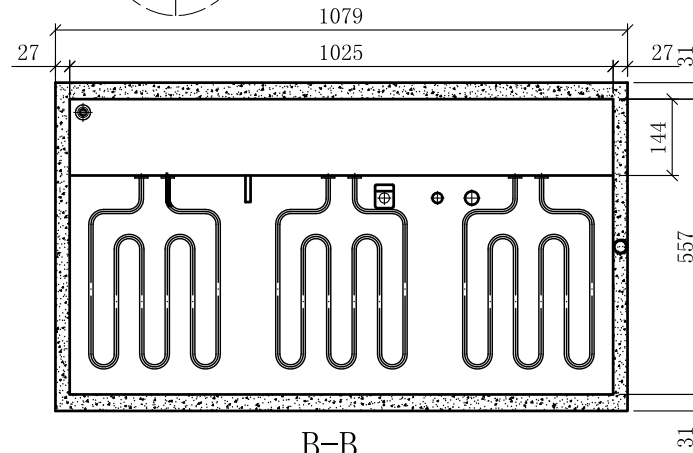
Front View



A-A

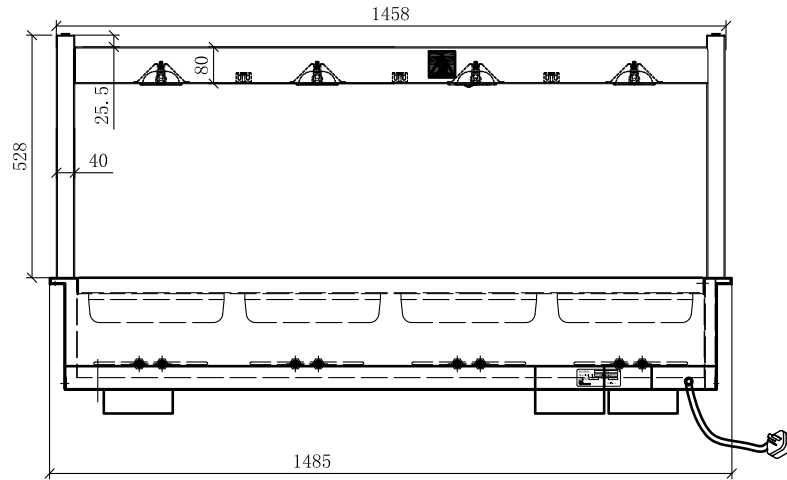


Top View

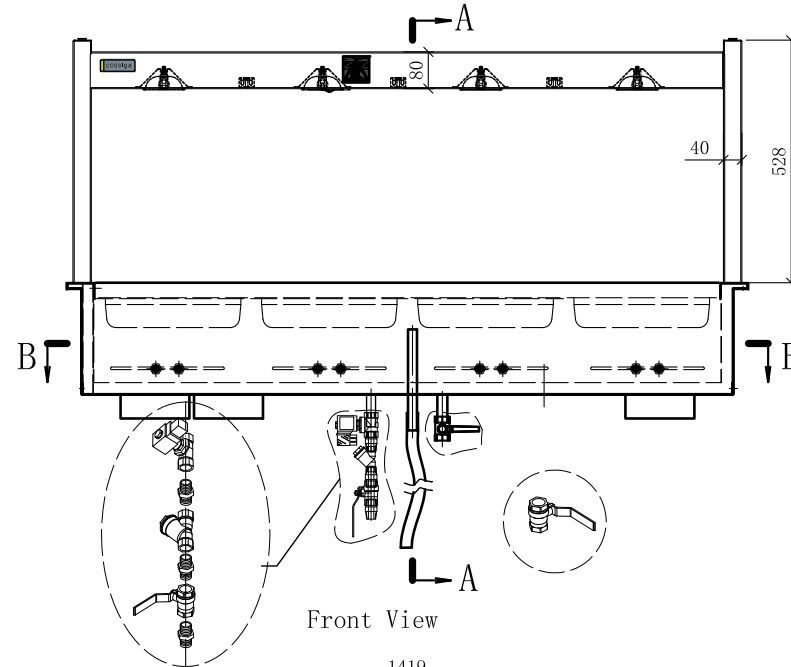


B-B

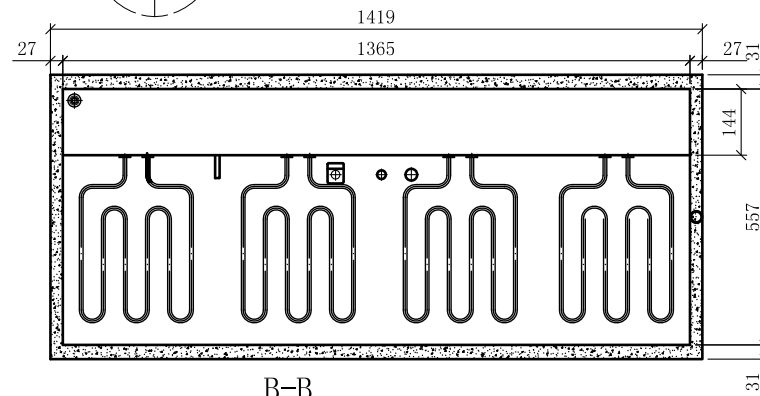




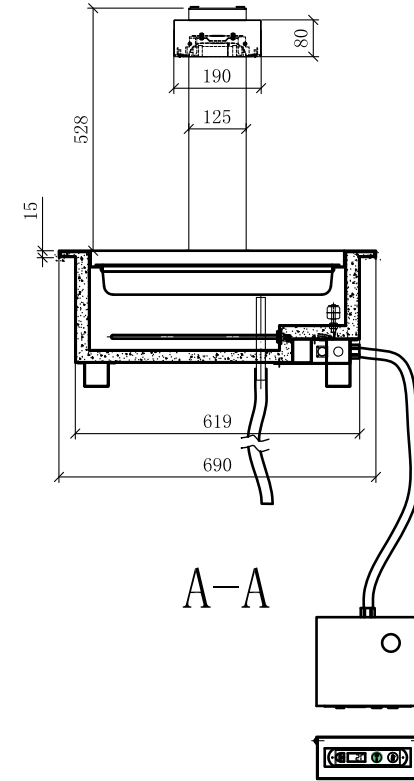
Rear View



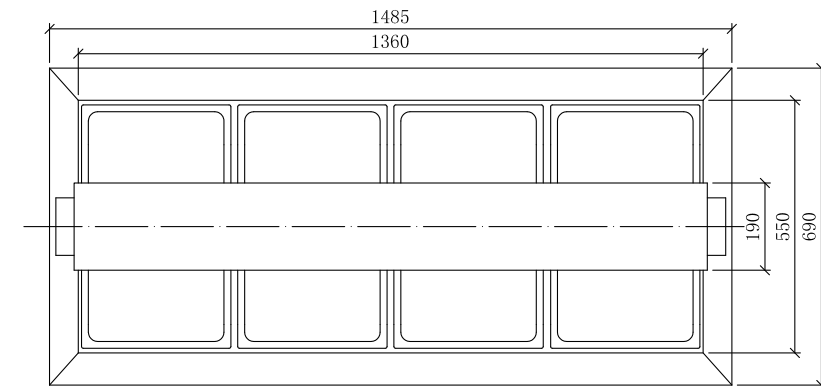
Front View



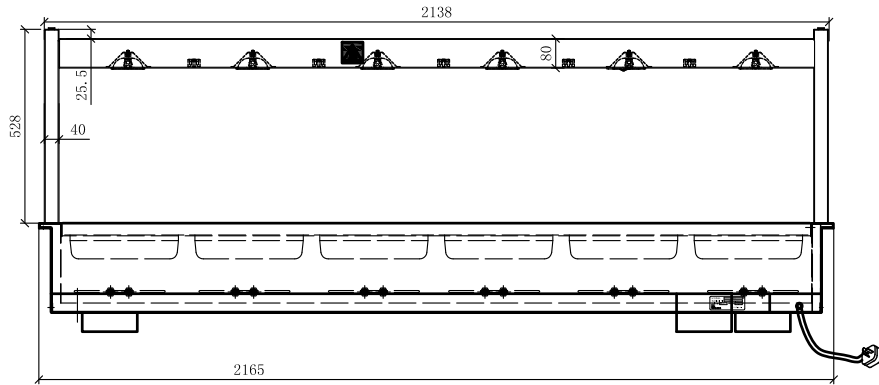
B-B



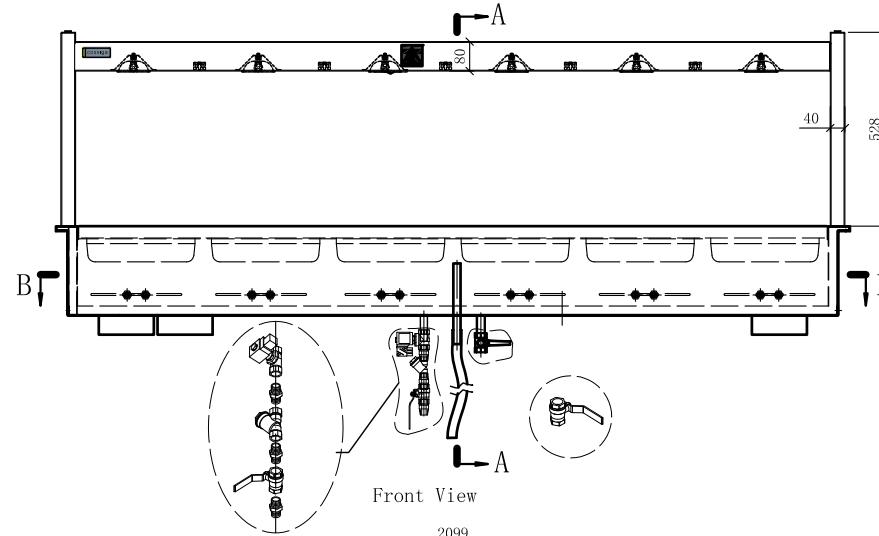
A-A



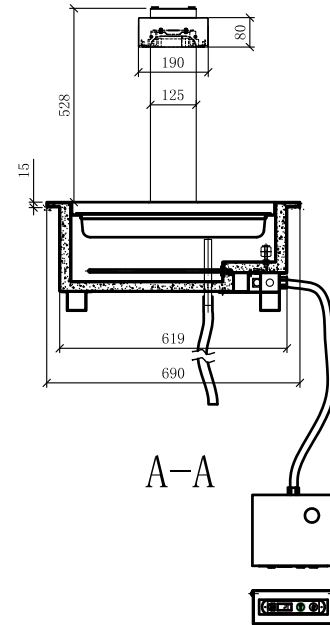
Top View



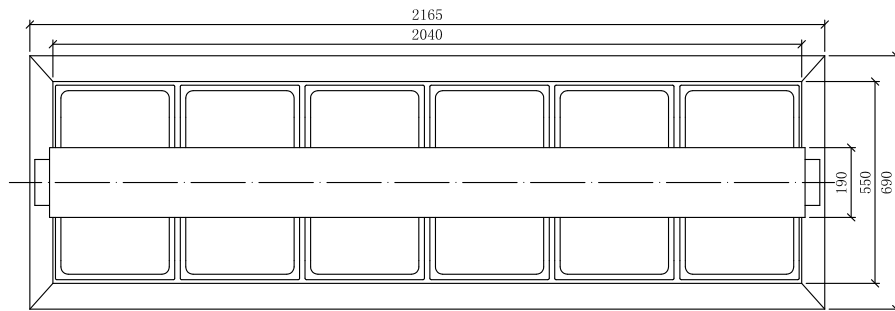
Rear View



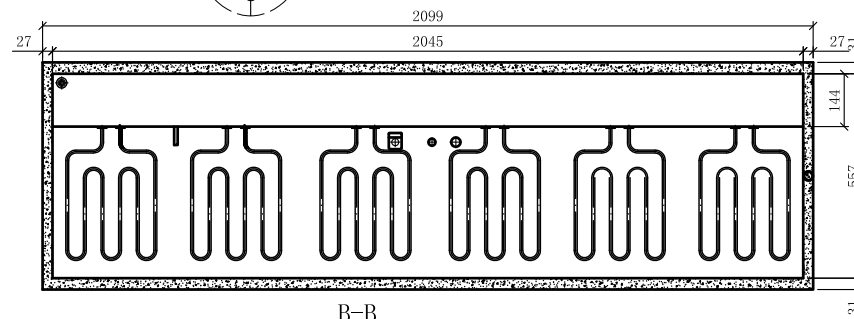
Front View



A-A



Top View



B-B