

PRODUCT FEATURES

- Ceramic Heated Glass
- Overhead Halogen Lamps
- Thermostatically controlled
- Glass supplied separately *

UNIT DIMENSIONS & SPECIFICATIONS

CERAMIC TOP

Model	Cabinet			bench cut out hole size	Heating	Operating Current	Connection	Voltage
	Length mm	Depth mm	Height mm					
LSCM2	805	690	555	745x600	Ceramic Glass	7.5 Amp	15 amp lead only	240V

* prior to installation see, installation guidelines, ventilation requirements and drainage options documents

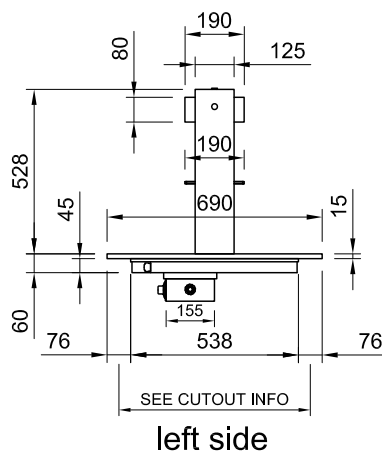
* GLASS AND GANTRY OPTIONS

When ordering a LS unit select the gantry glass type you require from the [GLASS OPTIONS](#) page in this document.

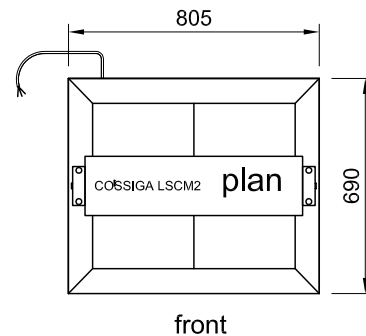
ELECTRICAL POWER

Electrical power cord 3000mm
1 phase connection required.

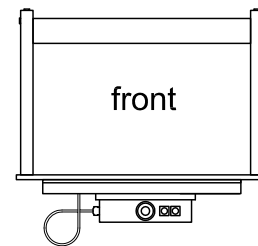
Unit can be hard wired to isolation switch or fitted with suitable heavy duty plug such as PDL 56 series or Commando style plug.



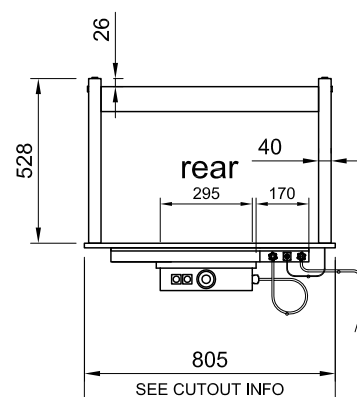
left side



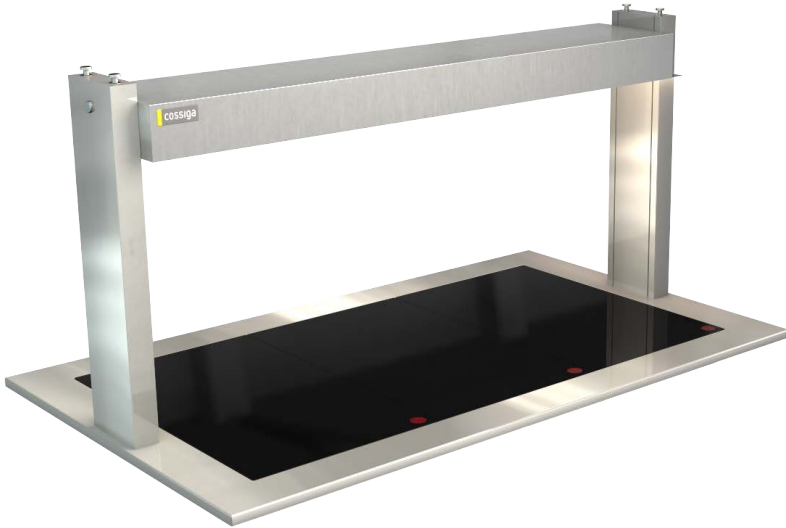
front



front



rear



PRODUCT FEATURES

- Ceramic Heated Glass
- Overhead Halogen Lamps
- Thermostatically controlled
- Glass supplied separately *

UNIT DIMENSIONS & SPECIFICATIONS

CERAMIC TOP

Model	Cabinet			bench cut out hole size	Heating	Operating Current	Connection	Voltage
	Length mm	Depth mm	Height mm					
LSCM3	1145	690	555	1085x600	Ceramic Glass	15 Amp	20 amp lead only	240V

* prior to installation see, installation guidelines, ventilation requirements and drainage options documents

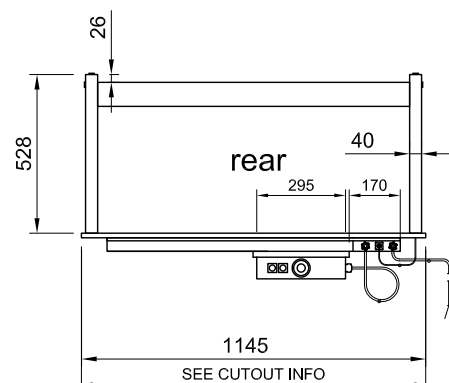
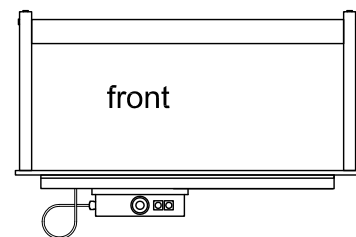
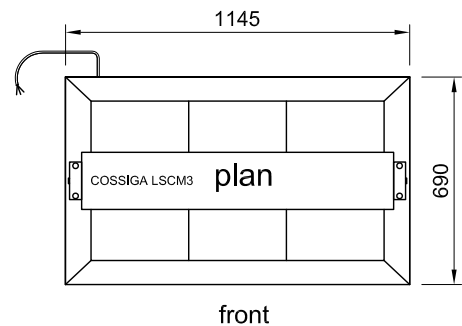
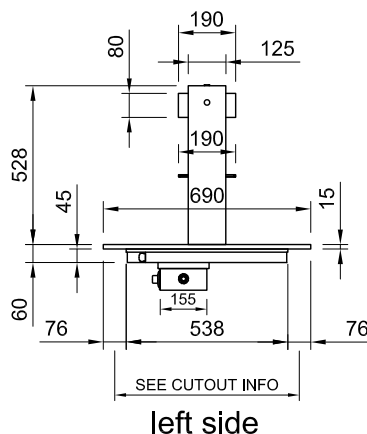
* GLASS AND GANTRY OPTIONS

When ordering a LS unit select the gantry glass type you require from the [GLASS OPTIONS](#) page in this document.

ELECTRICAL POWER

Electrical power cord 3000mm
1 phase connection required.

Unit can be hard wired to isolation switch or fitted with suitable heavy duty plug such as PDL 56 series or Commando style plug.





PRODUCT FEATURES

- Ceramic Heated Glass
- Overhead Halogen Lamps
- Thermostatically controlled
- Glass supplied separately *

UNIT DIMENSIONS & SPECIFICATIONS

CERAMIC TOP

Model	Cabinet			bench cut out hole size	Heating	Operating Current	Connection	Voltage
	Length mm	Depth mm	Height mm					
LSCM4	1485	690	555	1425x600	Ceramic Glass	15 Amp	20 amp lead only	240V

* prior to installation see, installation guidelines, ventilation requirements and drainage options documents

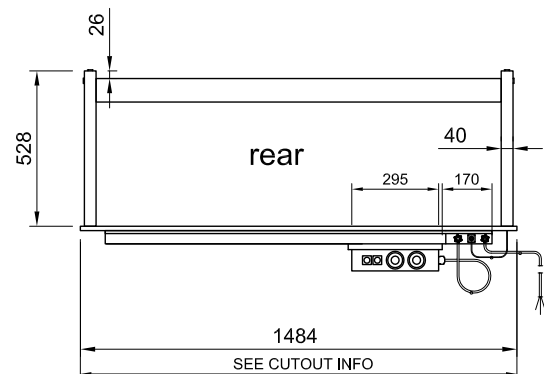
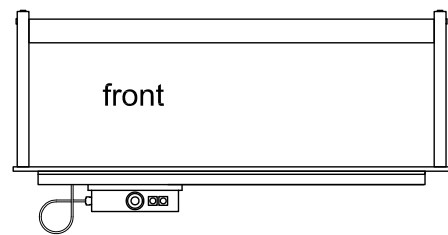
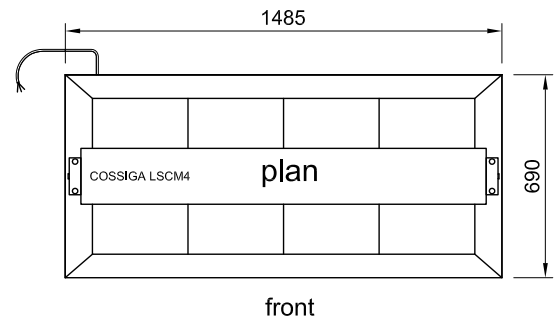
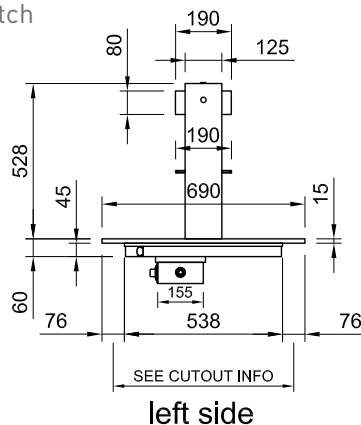
* GLASS AND GANTRY OPTIONS

When ordering a LS unit select the gantry glass type you require from the [GLASS OPTIONS](#) page in this document.

ELECTRICAL POWER

Electrical power cord 3000mm
1 phase connection required.

Unit can be hard wired to isolation switch or fitted with suitable heavy duty plug such as PDL 56 series or Commando style plug.





PRODUCT FEATURES

- Ceramic Heated Glass
- Overhead Halogen Lamps
- Thermostatically controlled
- Glass supplied separately *

UNIT DIMENSIONS & SPECIFICATIONS

CERAMIC TOP

Model	Cabinet			bench cut out hole size	Heating	Operating Current	Connection	Voltage
	Length mm	Depth mm	Height mm					
LSCM5	1825	690	555	1765x600	Ceramic Glass	18.8 Amp	20 amp lead only	50/60 Hertz 240V

* prior to installation see, installation guidelines, ventillation requirements and drainage options documents

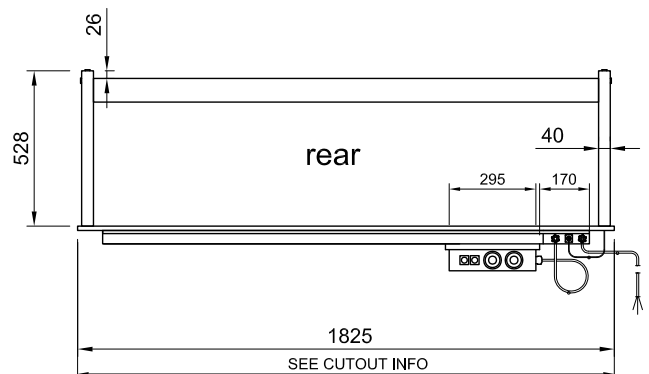
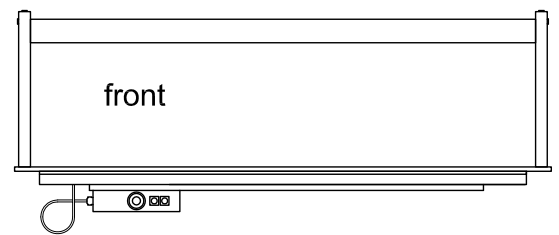
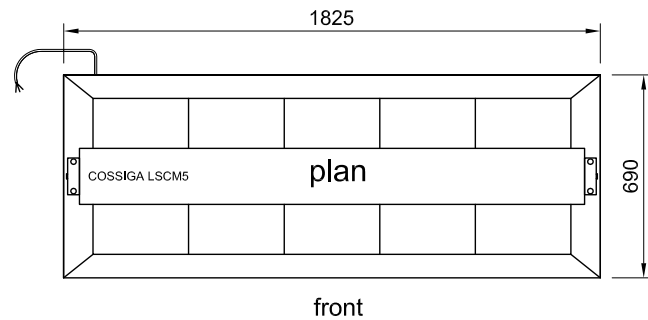
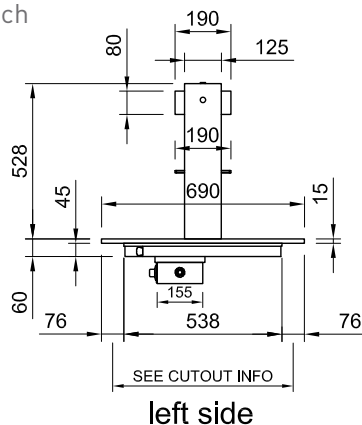
* GLASS AND GANTRY OPTIONS

When ordering a LS unit select the gantry glass type you require from the [GLASS OPTIONS](#) page in this document.

ELECTRICAL POWER

Electrical power cord 3000mm
1 phase connection required.

Unit can be hard wired to isolation switch or fitted with suitable heavy duty plug such as PDL 56 series or Commando style plug.





PRODUCT FEATURES

- Ceramic Heated Glass
- Overhead Halogen Lamps
- Thermostatically controlled
- Glass supplied separately *

UNIT DIMENSIONS & SPECIFICATIONS

CERAMIC TOP

Model	Cabinet			bench cut out hole size	Heating	Operating Current	Connection	Voltage
	Length mm	Depth mm	Height mm					
LSCM6	2165	690	555	2105x600	Ceramic Glass	22.5 Amp	30 amp lead only	50/60 Hertz 240V

* prior to installation see, installation guidelines, ventilation requirements and drainage options documents

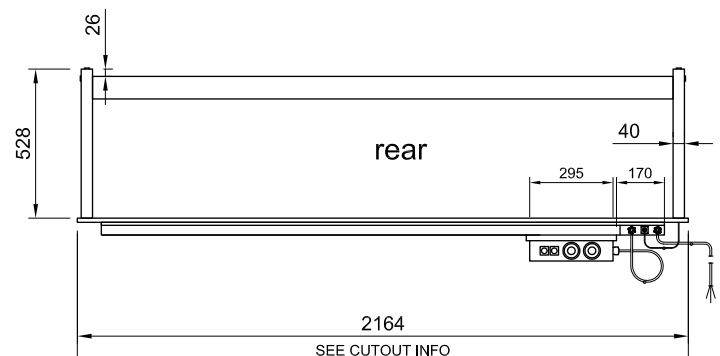
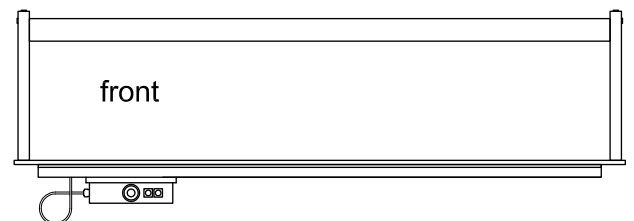
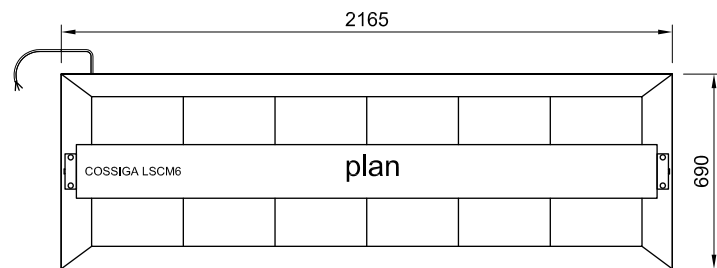
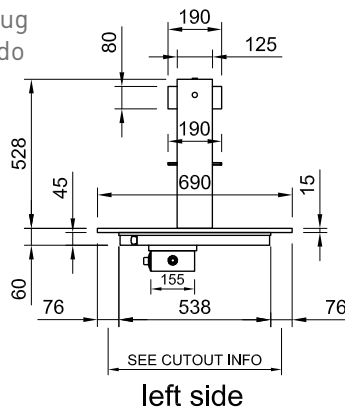
* GLASS AND GANTRY OPTIONS

When ordering a LS unit select the gantry glass type you require from the [GLASS OPTIONS](#) page in this document.

ELECTRICAL POWER

Electrical power cord 3000mm
1 phase connection required.

Unit can be hard wired to isolation switch or fitted with suitable heavy duty plug such as PDL 56 series or Commando style plug.



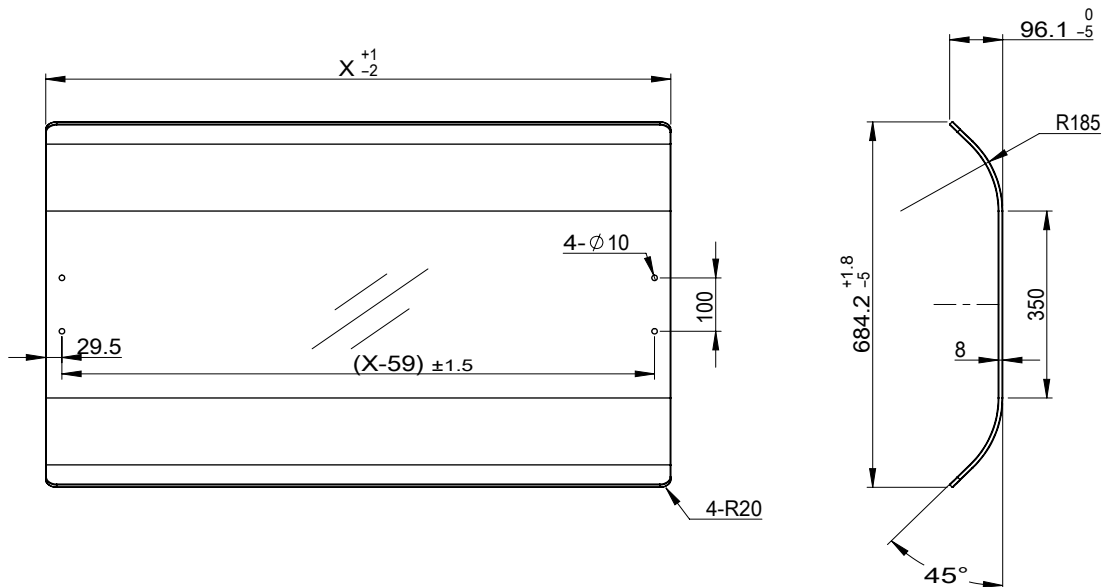


DOUBLE CURVED GLASS

- Ceramic Heated Glass
- Overhead Halogen Lamps
- Thermostatically controlled
- Glass supplied separately *

DIMENSIONS & SPECIFICATIONS

Model	glass size			Part Number
	Length X mm	Depth mm	Height mm	
GLDC GLASS TYPE				
LSCM2	795	685	96	S21-634
LSRF3/LSBM3/LSCM3	1135	685	96	S21-596
LSRF4/LSBM4/LSCM4	1475	685	96	S21-635
LSRF5/LSBM5/LSCM5	1815	685	96	S21-636
LSRF6/LSBM6/LSCM6	2155	685	96	S21-637



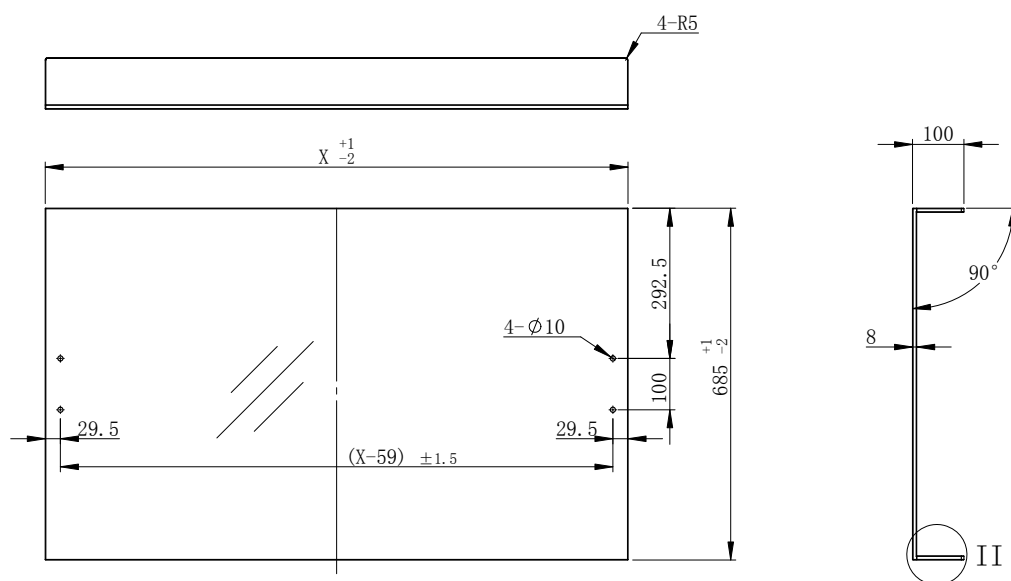


FLAT TOP GLASS

- Ceramic Heated Glass
- Overhead Halogen Lamps
- Thermostatically controlled
- Glass supplied separately *

DIMENSIONS & SPECIFICATIONS

Model	glass size			Part Number
	Length X mm	Depth mm	Height mm	
GLFT GLASS TYPE				
LSCM2	795	685	100	S21-626
LSRF3/LSBM3/LSCM3	1135	685	100	S21-583
LSRF4/LSBM4/LSCM4	1475	685	100	S21-627
LSRF5/LSBM5/LSCM5	1815	685	100	S21-628
LSRF6/LSBM6/LSCM6	2155	685	100	S21-629



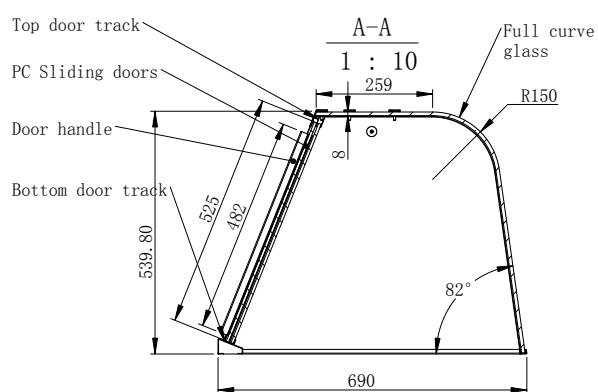
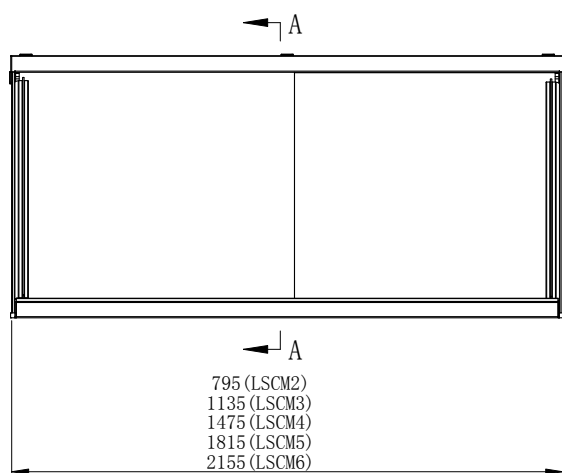


FULL CURVED GLASS

- Ceramic Heated Glass
- Overhead Halogen Lamps
- Thermostatically controlled
- Glass supplied separately *

DIMENSIONS & SPECIFICATIONS

Model	glass size			Part Number
GLFC GLASS TYPE	Length X mm	Depth mm	Height mm	
LSCM2	795	690	540	
LSRF3/LSBM3/LSCM3	1135	690	540	
LSRF4/LSBM4/LSCM4	1475	690	540	
LSRF5/LSBM5/LSCM5	1815	690	540	
LSRF6/LSBM6/LSCM6	2155	690	540	





FULL SQUARE GLASS

- Ceramic Heated Glass
- Overhead Halogen Lamps
- Thermostatically controlled
- Glass supplied separately *

DIMENSIONS & SPECIFICATIONS

Model	glass size			Part Number
	Length X mm	Depth mm	Height mm	
GLFSG GLASS TYPE				
LSCM2	795	690	540	
LSRF3/LSBM3/LSCM3	1135	690	540	
LSRF4/LSBM4/LSCM4	1475	690	540	
LSRF5/LSBM5/LSCM5	1815	690	540	
LSRF6/LSBM6/LSCM6	2155	690	540	

