

## Controlled Ambient Integral 4000 Series 800 / 1200 / 1500 / 1800



These cabinets offer a price competitive solution for the busy food service business wanting to display a large quantity or wide variety of food. Lighting and merchandising features are designed to create impact and increase sales. The Inline 4000 series is freestanding and available in a range of sizes and capacities. They come ready to "plug in" which means installation is quick and easy.

### OPTIONS:



slide door



fixed front

### FEATURES

- Stainless steel construction
- Toughened double glazed glass
- Front sliding doors (SD)
- Fixed front (FF)
- Rear sliding doors
- Lighting above all display areas
- Adjustable shelving
  - Height : 25.4mm Increments
  - Angle : Flat or 10° Pitch
- Stainless steel flat trays
- Ticket strip
- Moving air refrigeration maintains cabinet temperature of 15-17°C with up to 60 door openings per hour
- Integral condenser
- Automatic defrost cycle

### ACCESSORIES

#### Factory Fitted Accessories

- Condensate evaporator tray
- Castors (Lockable)

#### Standard Accessories

- Rear deck assembly with no bag and tong holder
- Rear deck assembly with 1x bag and tong holder
- Angled base shelf
- Small goods trays
- Thermal divider panel - Prevent heat transfer between heated and refrigerated cabinets



refrigerated



controlled ambient



ambient



heated

### COMPLIANCE & APPROVALS



MEPS



HACCP

Australia  
T 1800 813 745  
F 1800 813 746  
E [ausales@fpgworld.com](mailto:ausales@fpgworld.com)  
142 Proximity Drive  
Sunshine, P O Box 5062  
Vic 3020  
Australia

China/Asia  
T +86 21 5284 9755  
F +86 21 3633 1611  
E [asales@fpgworld.com](mailto:asales@fpgworld.com)  
Rm 104, Building 8  
No.31 KaiXuan Road (S)  
Shanghai 200232  
P R China

New Zealand  
T +64 6 843 3249  
F +64 6 843 2466  
E [nzsales@fpgworld.com](mailto:nzsales@fpgworld.com)  
110 Austin Street  
P O Box 3029  
Napier, 4112  
New Zealand

United Kindom  
T 0800 234 7922  
F 0808 234 7921  
E [uksales@fpgworld.com](mailto:uksales@fpgworld.com)  
80 Haymarket  
London SW1Y4TQ  
United Kingdom

Europe  
T +49 89 7190 9062  
F +49 89 7190 9063  
E [eusales@fpgworld.com](mailto:eusales@fpgworld.com)  
20a Kreggerheim Straße  
München 81377  
Germany

1  
4CATS-REVA

**FPG**  
food display = retail solutions

## Controlled Ambient Integral 4000 Series

800/1200/1500/1800

SPECIFICATIONS				
	4CA08	4CA12	4CA15	4CA18
Height	1405mm	1405mm	1405mm	1405mm
Width	803mm	1203mm	1503mm	1803mm
Depth	774mm	774mm	774mm	774mm
Dry Weight	116Kg	174Kg	220Kg	264Kg
Temp Range	15-17°C	15-17°C	15-17°C	15-17°C
No. of Shelves	3 + Base	3 + Base	3 + Base	3 + Base
Display Area	1.00 m <sup>2</sup>	1.60m <sup>2</sup>	2.00m <sup>2</sup>	2.50m <sup>2</sup>
Voltage	230-240V	230-240V	230-240V	230-240V
Power	0.63Kw	0.69Kw	1.27Kw	1.60Kw
Current	2.75Amps	2.98Amps	5.50Amps	5.94Amps
Connection	10 Amp 3 Pin Plug	10 Amp 3 Pin Plug	10 Amp 3 Pin Plug	10 Amp 3 Pin Plug
Refrigerant Climatic Class & IP	R134a Class N, IP22	R134a Class N, IP22	R134a Class N, IP22	R134a Class N, IP22
SHIPPING (Crated)				
Height	1560mm	1560mm	1560mm	1560mm
Width	880mm	1280mm	1580mm	1880mm
Depth	870mm	870mm	870mm	870mm
Weight	205Kg	268Kg	325Kg	391Kg
Volume	1.19m <sup>3</sup>	1.73m <sup>3</sup>	2.14m <sup>3</sup>	2.55m <sup>3</sup>



refrigerated



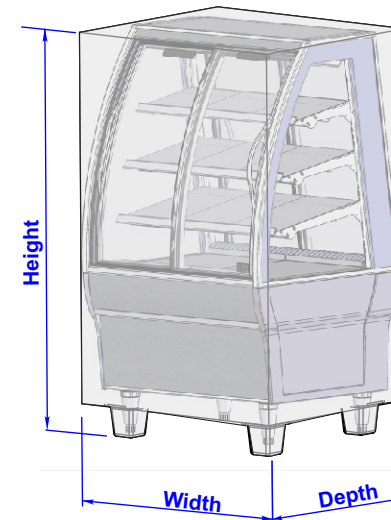
controlled ambient



ambient



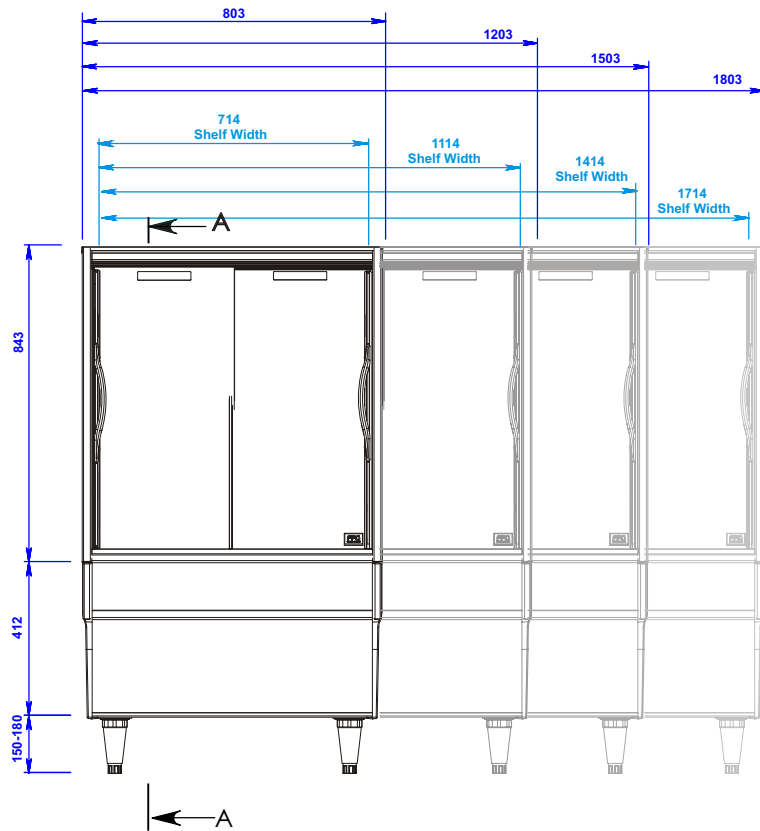
heated



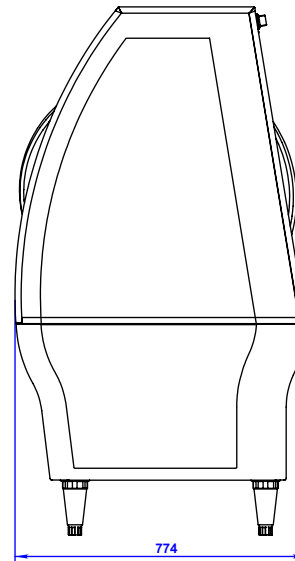
2  
4CATS-REVA

## Controlled Ambient Integral 4000 Series

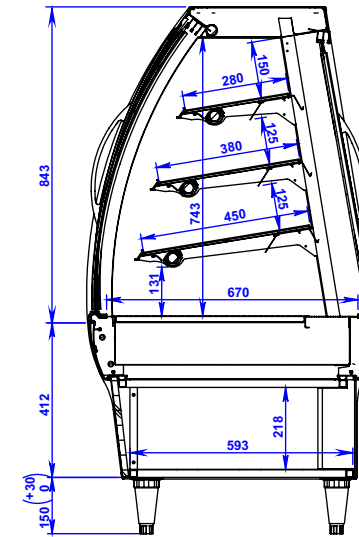
800/1200/1500/1800



FRONT ELEVATION



SIDE ELEVATION



SECTION A-A



refrigerated



controlled ambient



ambient



heated

3  
4CATS-REVA