



These cabinets offer a price competitive solution for the busy food service business wanting to display a large quantity or wide variety of food. Lighting and merchandising features are designed to create impact and increase sales. The Inline 4000 series is freestanding and available in a range of sizes and capacities. They come ready to "plug in" which means installation is quick and easy.

OPTIONS:



slide door



fixed front

Heated 4000 Series 800/1200/1500/1800

FEATURES

- Stainless steel construction
- Toughened glass
- Front sliding doors (SD)
- Fixed front (FF)
- Rear sliding doors
- Lighting above all display areas
- Adjustable shelving
 - Height : 25.4mm Increments
 - Angle : Flat or 10° Pitch
- Wire racks
- Ticket strip
- Adjustable 150mm feet (30mm adjustment)
- Low wattage density elements for even temperature
- Cabinet operating temperature range 30°C - 90°C

ACCESSORIES

Factory Fitted Accessories

- Castors (Lockable)

Standard Accessories

- Rear deck assembly with no bag and tong holder
- Rear deck assembly with 1x bag and tong holder
- Angled base shelf
- Small goods trays
- Pie chutes
- Pie chute dividers
- Chicken trays - For fully bagged chickens only
- Able to accommodate Gastronorm Inserts into the Base
- Thermal divider panel - Prevents heat transfer between heated and refrigerated cabinets



refrigerated



controlled ambient



ambient



heated

COMPLIANCE & APPROVALS



HACCP



Australia
T 1800 813 745
F 1800 813 746
E ausales@fpgworld.com
142 Proximity Drive
Sunshine, P O Box 5062
Vic 3020
Australia

China/Asia
T +86 21 5284 9755
F +86 21 3633 1611
E asales@fpgworld.com
Rm 104, Building 8
No.31 KaiXuan Road (S)
Shanghai 200232
P R China

New Zealand
T +64 6 843 3249
F +64 6 843 2466
E nzsales@fpgworld.com
110 Austin Street
P O Box 3029
Napier, 4112
New Zealand

United Kindom
T 0800 234 7922
F 0808 234 7921
E uksales@fpgworld.com
80 Haymarket
London SW1Y4TQ
United Kingdom

Europe
T +49 89 7190 9062
F +49 89 7190 9063
E eusales@fpgworld.com
20a Kreggerheim Straße
München 81377
Germany

1
4HTS-REVA

FPG
food display ■ retail solutions

Heated 4000 Series 800/1200/1500/1800

SPECIFICATIONS				
	4H08	4H12	4H15	
Height	1405mm	1405mm	1405mm	
Width	803mm	1203mm	1503mm	
Depth	774mm	774mm	774mm	
Dry Weight	107Kg	160Kg	200Kg	
Temp range	30°C - 90°C	30°C - 90°C	30°C - 90°C	
No. of Shelves	3 + Base	3 + Base	3 + Base	
Display Area	1.00m ²	1.60m ²	2.00m ²	
Voltage	230-240V	230-240V	230-240V	
Power	1.12Kw	1.72Kw	2.24Kw	
Current	4.88Amps	7.48Amps	9.76Amps	
Connection	10 Amp 3 Pin Plug	10 Amp 3 Pin Plug	10 Amp 3 Pin Plug	
Climatic Class & IP	Class N, IP22	Class N, IP22	Class N, IP22	
SHIPPING (Crated)				
Height	1560mm	1560mm	1560mm	
Width	880mm	1280mm	1580mm	
Depth	870mm	870mm	870mm	
Weight	165Kg	220Kg	260Kg	
Volume	1.19m ³	1.72m ³	2.09m ³	



refrigerated



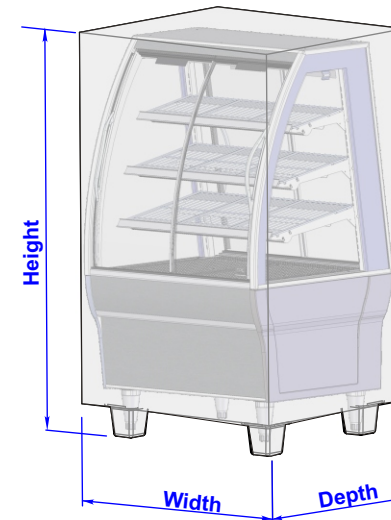
controlled ambient



ambient



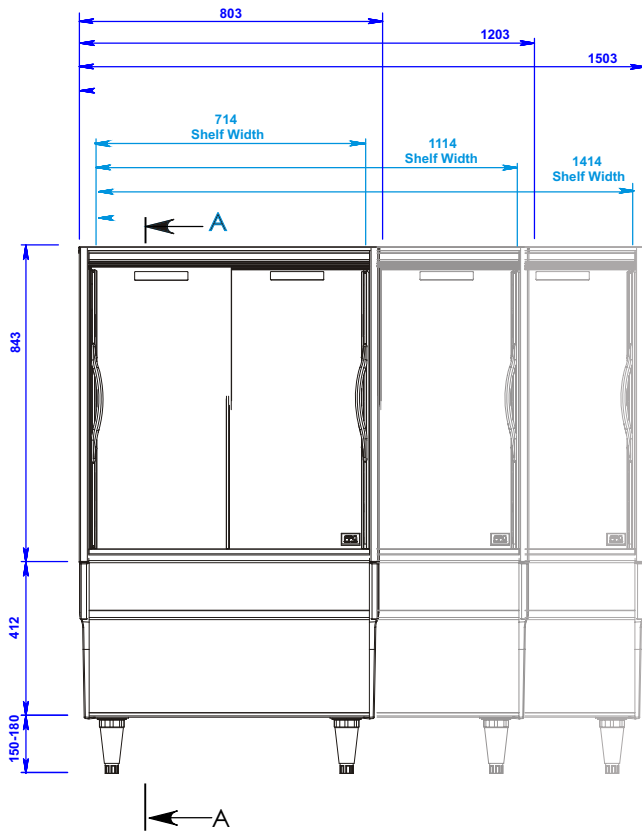
heated



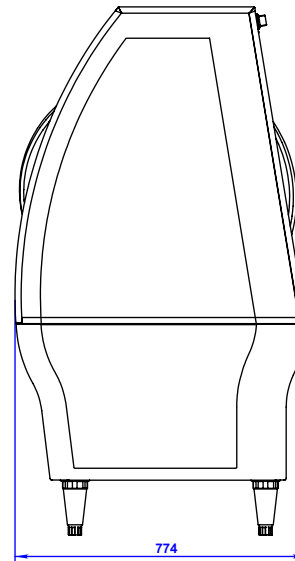
2
4HTS-REVA



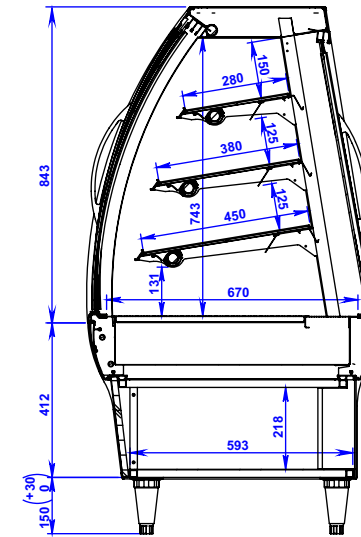
Heated 4000 Series 800/1200/1500/1800



FRONT ELEVATION



SIDE ELEVATION



SECTION A-A



refrigerated



controlled ambient



ambient



heated

3
4HTS-REVA