



Master Series Open Burner Range Attachment

Item: _____
 Quantity: _____
 Project: _____
 Approval: _____
 Date: _____

Master Series Open Burner Range Attachment

Models

- MST4S MST4S-E MST4T MST4T-E

17" Range Attachment With 2 Open Burners



Model MST4S
(valve control panel not as depicted)

Standard Features:

- Stainless steel front and sides
- Stainless steel door
- 6" (152mm) chrome steel adj. legs
- 7-1/2" (191mm) stainless steel front rail
- Two (2), two -piece Starfire burners with removable heads, rated 30,000 BTU (8.78 kW) CE approved or 35,000 BTU (10.25 Kw) CSA approved models (natural or propane gas)
- Removable ring grate bowl over each burner
- Cast iron top grates
- One piece stainless steel drip tray
- Storage base interior of aluminized steel
- Electric Spark ignition on all pilots Suffix -E models
- Sentry total flame failure protection for all burners

Optional Features:

- Stainless steel main back
- Stainless steel common front rail up to 68" (1728mm) wide (two or more units in a battery)
- Gas regulator 3/4" or 1-1/4"
- Gas shut off valve; 3/4", 1" or 1-1/4" NPT
- Gas flex hose & quick disconnect (3/4", 1" or 1-1/4" NPT x 5") w/ restraining device, please specify
- Rear gas connection, 3/4" NPT
- End caps and cover (NC, Specify)
- Swivel casters (4) w/front brakes
- Polyurethane non-marking swivel casters (4) w/front brakes
- 6" (152mm) stainless steel adj. legs
- Modular stand, (T model)
- Stainless steel tubular high shelf, single or double deck
- Stainless steel backguard: 10" (354mm), 17" (432mm) or 33" (838mm) high
- 230 volt, 50 cycle components electric ignition (export)

Specifications:

Heavy-duty gas range attachment with storage base, Model MST4S. Two (2) 30,000 BTU (8.78 kW) two piece Starfire burners. Sentry total flame failure protection for all burners. Heavy-duty cast iron top grate/ ring grates. 17" (432mm) wide x 38" (965mm) deep, including 7-1/2" (191 mm) deep stainless steel front rail. Stainless steel front and sides. 60,000 BTU (17.57 kW) total. Natural or propane gas. Also available with modular top, suffix T.



NOTE: Attachments supplied with casters must be installed with an approved restraining device.



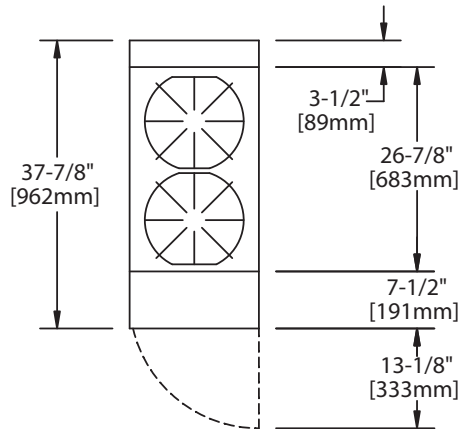
Product	Width: In(mm)	Depth: In(mm)	Height: In(mm) (w/ NSF Legs)	Height: In(mm) (w/o NSF Legs)	Storage Base Interior: in(mm)		
					Width	Depth	Height
MST4S	17(432)	38(965)	36-3/8(924)	30-3/8(772)	14(356)	32-1/2(826)	20-1/2(519)
MST4T	17(432)	38(965)	36-3/8(924) w/stand	9-1/2(241) w/o stand*	N/A	N/A	N/A

*Modular top has 1-1/2" seating flanges.

INPUT-BTU/hr (Natural Gas)	MST4S	MST4T
CE Approved Models 2 Open Burners (30,000 BTU each)	60,000 (17.57kW)	60,000 (17/57kW)
CSA Approved Models 2 Open Burners (35,000 BTU each)	70,000 (20.50 kW)	70,000 (20.50 Kw)

S=Range w/Storage Base T=Modular Top

INSTALLATION NOTES			Shipping (Lb/Kg) – Cu Ft
Combustible Wall Clearances ¹	Entry Clearances	Manifold Operating Pressure	MST4S 200/91 – 26 MST4T 120/55 – 9
Sides: 14" (356mm) Back: 6" (152mm)	Crated: 22 1/4" (565mm) Uncrated: 17-1/4" (438mm)	Natural: 6" WC (15mbar) Propane: 10" WC (25mbar)	



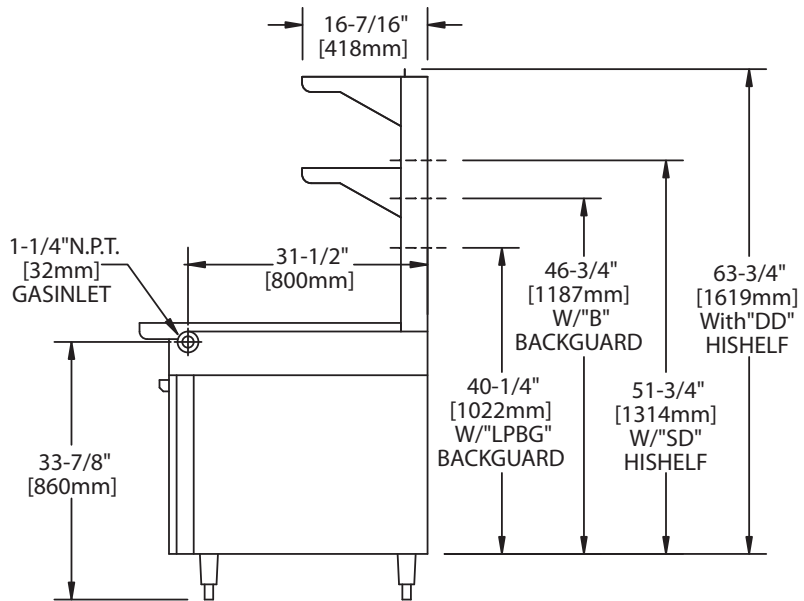
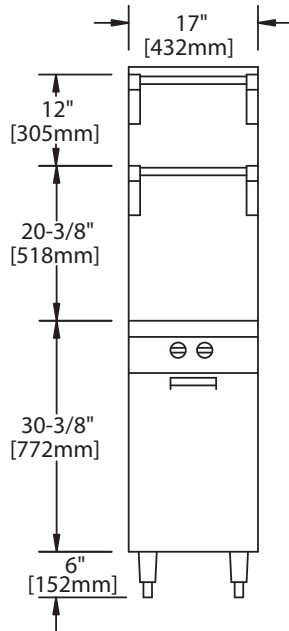
¹NOTE: Installation clearance reductions are applicable only where local codes permit.

Gas input ratings shown here are for installations up to 2,000 ft. (610m) above sea level. Specify altitudes over 2,000 ft.

Please specify gas type when ordering.

Electrical characteristics: **Each RC oven** –1/3 HP motor, 120 VAC, single phase, 3.4 amps (c/w 6 ft. (1.8m) power cord with NEMA 5-15P plug). 230 VAC export is direct connect, single phase, 50 Hz. **Electrical Spark Ignition** (suffix "E") – 0.1 amps for 115V 60Hz 1 Phase (c/w NEMA 5-15P cord & plug on models with out RC oven) and 0.05 amps for 240C 50Hz 1 phase.

This product is not approved for residential use.



Form# MST4SMST4T (08/05/11)