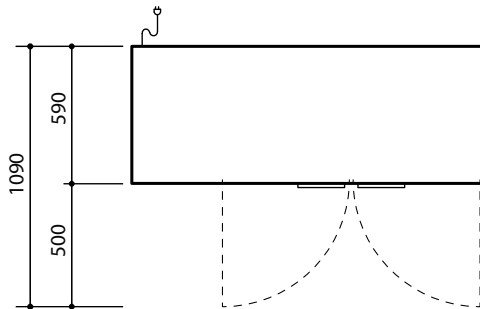


specifications

BB380X-2SW

BackBar X, 2 Door (Glass), Fridge



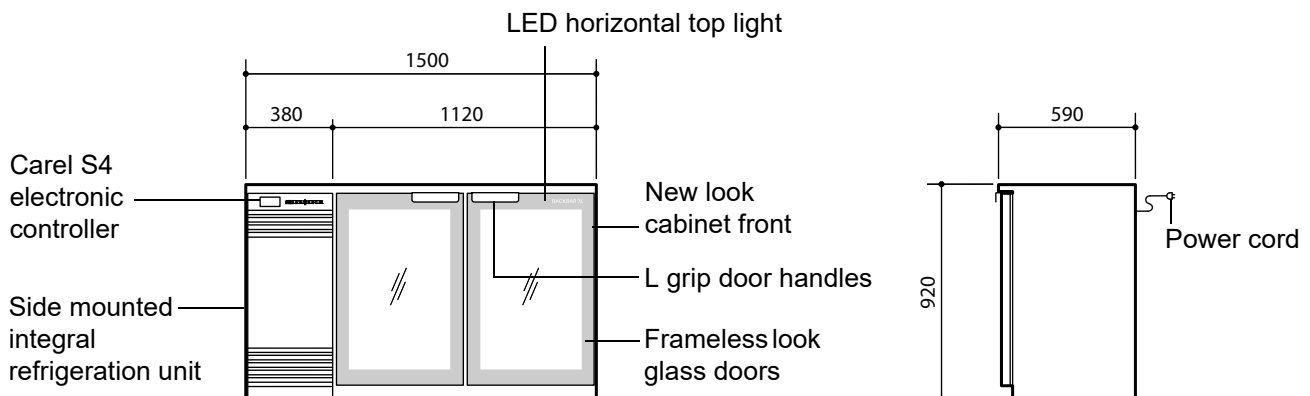
CABINET DIMENSIONS

	External	Internal
Height	920mm*	758mm
Width	1500mm	1020mm
Depth	590mm	530mm
Floor area	0.89m ²	
Gross volume	380L	

* Height excludes castors, legs and optional worktop.

*Height variation

Supplied height adjustable castors	1015mm - 1030mm
Supplied height adjustable legs	1050mm - 1080mm
No castors or legs	920mm



CABINET SPECIFICATIONS

Doors	2 × self-closing, double glazed, toughened, single Low-E safety glass, frameless look doors. Optional door locks.
Internal door opening size	2 door openings: 720mm high × 470mm wide
Shelves	Two adjustable height shelves per door: 495mm wide × 440mm deep
Weight	150kg
Worktop (optional)	Optional 25mm stainless steel worktop
Electrical safety climate class	5
Internal lighting	1 x 17W T8 Frosted LED Tube (Ø26 x 900mm, 5500K) - Switched
Electrical	220-240 Volts a.c. 50 Hz, single phase supply, 3.4 Amps (unit 2.9 Amps)
Temperature range	2°C to 4°C (product mass average)
GEMS class	M1
GEMS energy consumption	5.72 kWh/24h
GEMS annual running cost	\$627 p.a. (@ \$0.30/kWh)
Refrigeration system	Electronically controlled, side mounted, integral, removable refrigeration unit (UE30ABF-100IC), with isolation switch
Electronic controller	Carel S4 Evo
Refrigerant	R134a / 425g
Nominal capacity	480 Watts
Drainage	No plumbing required

SKOPE Industries Limited reserve the right to alter specifications without notice. Copyright © 2016 SKOPE Industries Limited

PSS0438 Rev. 3.0 Mar. 2021



SKOPE INDUSTRIES LIMITED

New Zealand Freephone: 0800 947 5673, Australian Freephone: 1800 121 535

Email: skope@skope.com Website: www.skope.com

