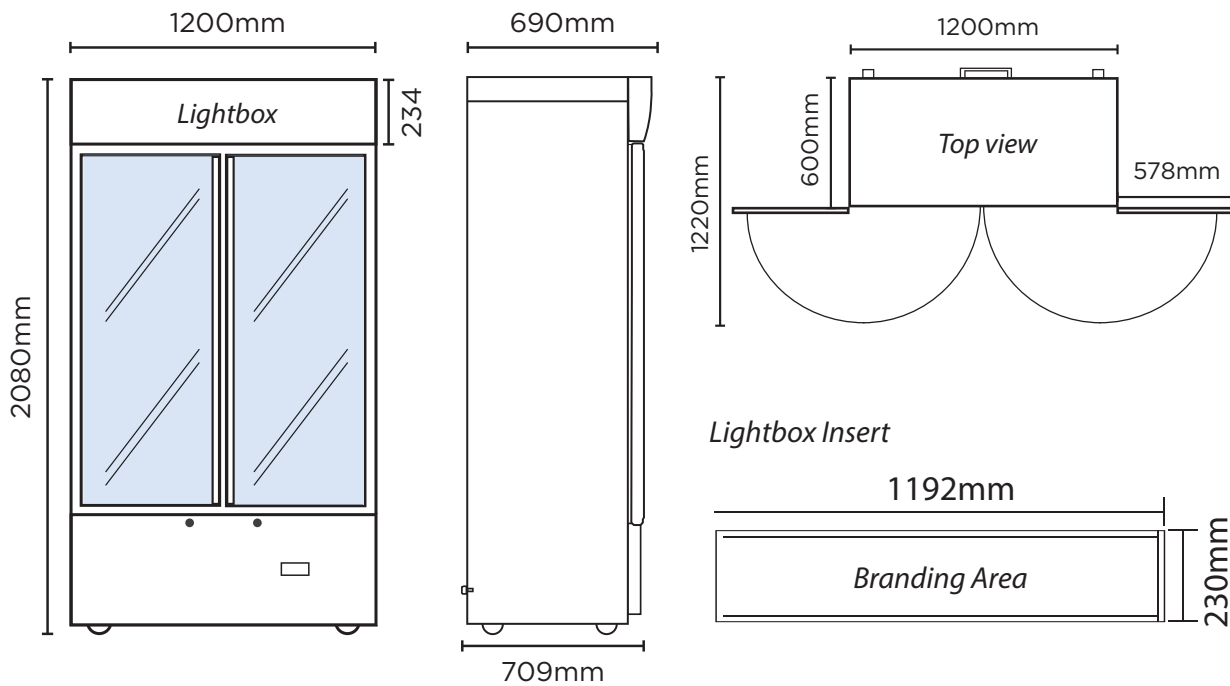


GM1000LWCAS | Casette Flat Glass Door LED Display Chiller

Vertical Displays & Storage



SPECIFICATIONS

Part Number	3736250	Door Swing Dimension	660mm
Capacity	960L	Total Depth of door open	1220mm
Temperature Range	+2 to +5°C	Door Shape	Flat
Max. Ambient Temp.	38°C	Self-Closing Door	Yes
Refrigeration Capacity	520W	Door Lock	Yes
Energy Consumption	5.0kWh/24h	No. of Doors	2
Current	2.3A	Temp. Controller	Digital
Gross Weight	188kg	Castors	Yes
Packaged Dimensions	1270 x 755 x 2112 mm	No. of Shelves Incl. Base Per Door	6
Air-Circulation	Fan Forced	Shelves Dimensions	527(w) x 478(d) mm
Drainage Points	No Drainage Required	Colour	White
Refrigerant	R290	Warranty	2 Years, Parts & Labour
Plug Supplied	Yes, 1 x 10A	Warranty Service	Bromic Extra Care
Plug Location	Bottom Left		
Display Light Box	Yes		
Internal Light	LED		
Door Type	Glass		

DIMENSIONS

External (mm)	
Width	1200
Depth	690
Height	2080
Internal (mm)	
Width	1090
Depth	545
Height	1465

BROMIC PTY Ltd reserve the right to alter specifications without notice.

GM1000LWCAS | Casette Flat Glass Door LED Display Chiller

Vertical Displays & Storage

