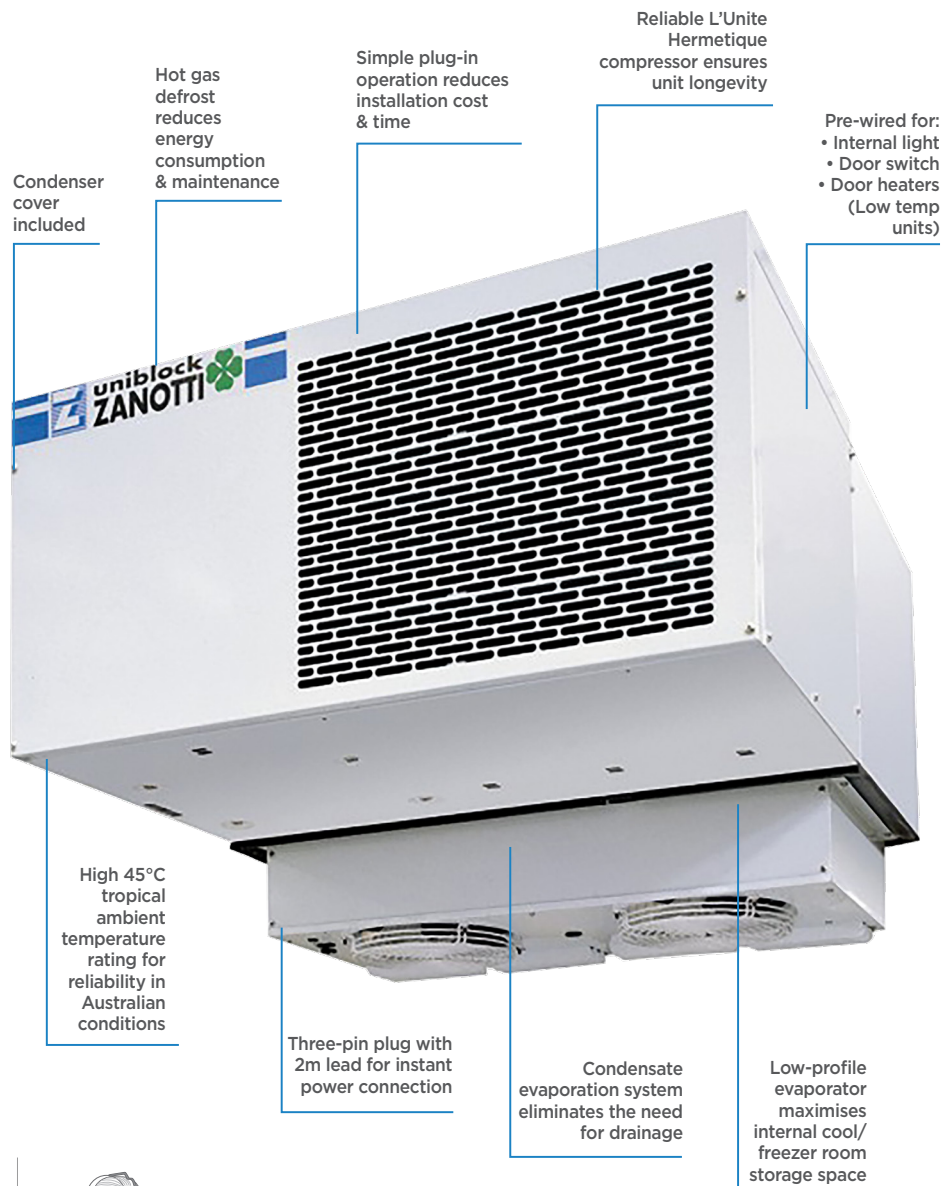


BSB135T | Zanotti SB Range Drop-In Refrigerated Freezer Systems

Refrigeration Systems

BSB135T

ZANOTTI SB RANGE DROP-IN REFRIGERATED FREEZER SYSTEMS



Advanced Digital Controller



Internal light included

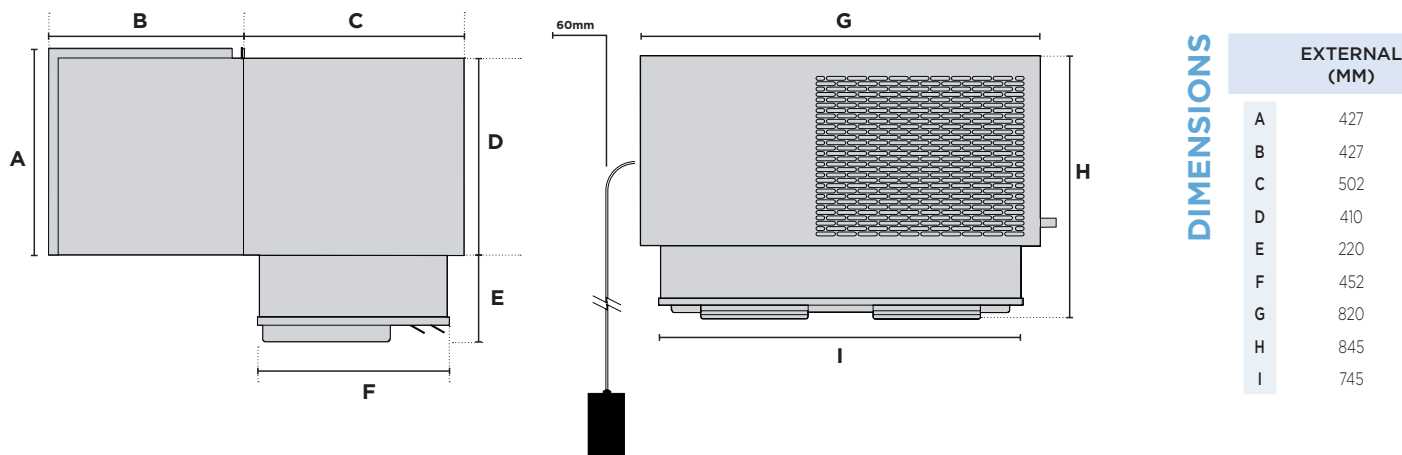


Drainage may be required in extreme ambient conditions or when storing high-water content produce

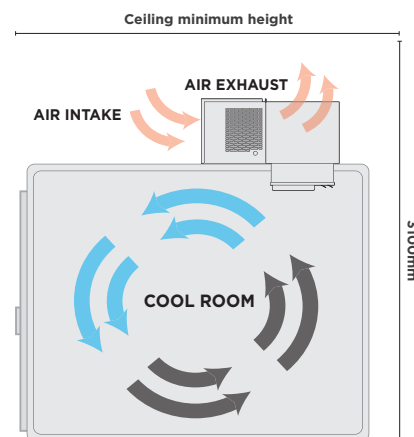
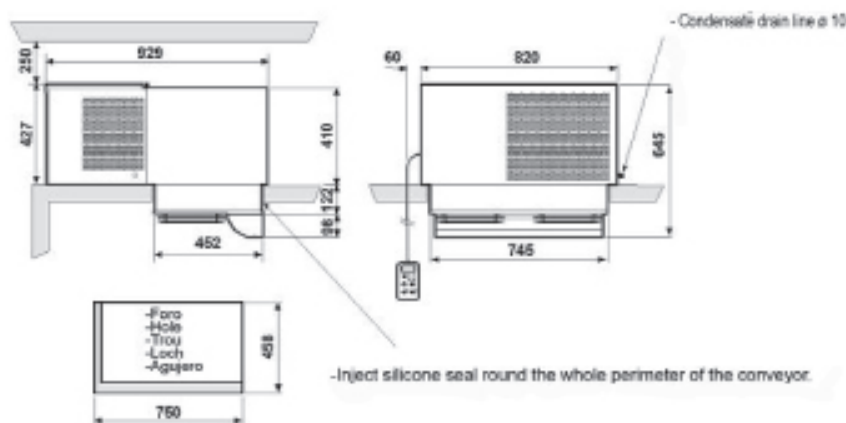


BSB135T | Zanotti SB Range Drop-In Refrigerated Freezer Systems

Refrigeration Systems



Mounting Scheme



Dropping in from above with minimal protrusion into the room, this system requires vertical clearance for adequate air flow

SPECIFICATIONS

Part Number	3835152
Refrigeration Capacity	2611W
Temp. Range (°C)	-15 to -25°C
Max. Ambient Temp. (°C)	45°C
Run/Full-Load (Amps)	11.5/25.6A
Temp. Display	Digital
Gross Weight (kg)	102kg
Refrigerant	R404a
Power Supply	32A
Defrost Type	Hot Gas
Type of Control	Electronic
Internal Light	Pre-Wired
Heated Door Trim	Yes
Drainage Required	No
Warranty	1 Year, Parts only
Warranty Service	Bromic Extra Care

POWER DATA

Tc °C	Ta °C	P watt	P Kcal/h	V120 m³	V100 m³	V80 m³
	20	3517	3025	39	35	30
	25	3332	2866	36	32	28
	30	3146	2706	32	28	25
-15	35	2961	2546	28	25	22
	40	2776	2387	24	21	19
	45	2592	2229	21	19	16
	20	2932	2522	28	25	22
	25	2769	2381	25	22	20
	30	2611	2245	21	19	16
-20	35	2456	2112	18	16	14
	40	2302	1980	17	15	13
	45	2146	1846	15	13	12
	20	2396	2061	18	16	14
	25	2245	1931	16	14	12
	30	2100	1806	14	12	11
-25	35	1960	1686	12	11	9.4
	40	1824	1569	10	8.9	7.8
	45	1688	1452	8.6	7.7	6.7

* Low temperature rated at -20°C internal temperature, 30°C ambient temperature.

BROMIC PTY Ltd reserve the right to alter specifications without notice.