



AUSTRALIA'S BUSIEST KITCHENS
RELY ON COOKON.



COOKON BG-600 SERIES HEAVY DUTY 600 CHAR GRILL

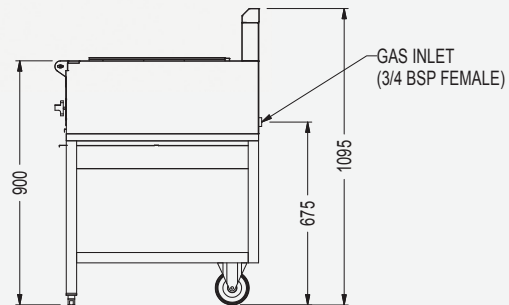
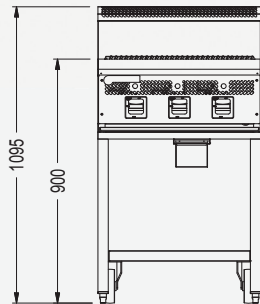
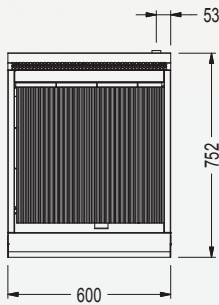
The BG-600 series is a gas fired heavy duty freestanding char grill. This unit is perfect for char grilling all types of product and combined with a smooth griddle is perfect for all menu types where you may need a char grill/griddle combination. The units' design allows for different cooking options to be incorporated on the top which gives you the option between:

- All char grill
- Combination of char grill and griddle

AVAILABLE MODELS

- BG-600 – All char grill
- BG-600-3G – 300mm char grill and 300mm griddle

*Counter top model available on request



STANDARD FEATURES

- Heavy duty stainless steel stand
- Stainless steel fixed midshelf
- All stainless steel insulated external panels
- Cast iron char grates
- Heavy duty cast burners
- Heavy duty radiant burner covers
- Flame failure safety devices
- Removable grease drawer
- Rear castors
- Adjustable front feet

SPECIFICATIONS

GAS TYPE

Natural or LPG
(Specify when ordering)

GAS CONNECTION

3/4" (BSP) female. All units supplied with regulators

GAS RATINGS

- BG-600 @ 63MJ/hr
- BG-600-3G @ 58MJ/hr

GLOBAL MARK APPROVAL NO
GA-102405-003

DIMENSIONS (MM)

Appliance: 600 x 752 x 1096

GRIDDLE SURFACE

COOKING AREA (MM)

300 Griddle: 310 x 521

GRIDDLE THICKNESS (MM)

10

Specifications are subject to change without notice.

< CONFIDENCE IN QUALITY >
3 YEAR WARRANTY

All our products carry a 3 year warranty and will last a very long time if our care instructions are followed.
© Cookon is a member of the Langford Metal Industries Group, a Queensland company established 1955.

