



**AUSTRALIA'S BUSIEST KITCHENS  
RELY ON COOKON.**

## COOKON ROBATA SERIES

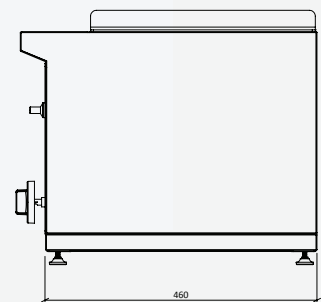
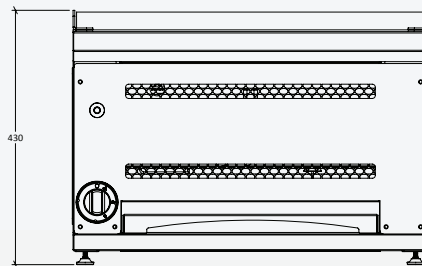
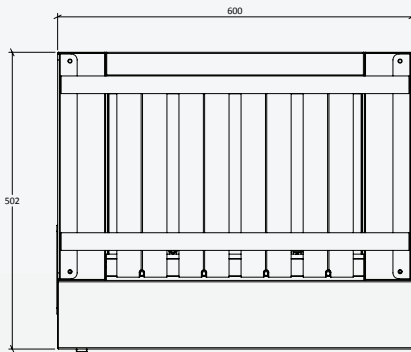
HAVE DUTY GAS OR CHARCOAL ROBATA SERIES



The innovative and versatile Cookon gas or charcoal robata grill range is ideal for cooking all skewered foods such as chicken, beef, lamb seafood and vegetables. All robatas have adjustable roasting bars to accommodate a range of skewer lengths and all robatas are supplied with a full set of custom made cooking skewers

### AVAILABLE MODELS

- ROBG-600 – Gas 600mm
- ROBG-900 – Gas 900mm
- ROBG-1200 – Gas 1200mm
- ROBG-1500 – Gas 1500mm
- ROBG-1800 – Gas 1800mm
- ROBC-600 – Charcoal 600mm
- ROBC-900 – Charcoal 900mm
- ROBC-1200 – Charcoal 1200mm
- ROBC-1500 – Charcoal 1500mm
- ROBC-1800 – Charcoal 1800mm



### STANDARD FEATURES

- Bench mount
- High energy stainless steel burners
- Stainless radiant burner covers
- Stainless steel grease trays
- Flame failure
- Adjustable bars
- Adjustable feet
- Stainless steel panels/ construction

### OPTIONAL FEATURES

- Plate or grates available
- Stainless steel stand
- Extra skewers

### SPECIFICATIONS

#### GAS TYPE

Natural or LPG  
(Specify when ordering)

#### GAS CONNECTION

- 1 x 1/2" (BSP) female – ROBG600, ROBG900
- 2 x 1/2" (BSP) female – ROBG1200, ROBG1500, ROBG1800

#### GAS RATINGS

- ROBG-600 @ 38MJ/hr
- ROBG-900 @ 62MJ/hr
- ROBG-1200 @ 83MJ/hr

- ROBG-1500 @ 107MJ/hr
- ROBG-1800 @ 124MJ/hr

GLOBAL-MARK APPROVAL NO  
GA-102405-010

#### DIMENSIONS (MM)

- ROBG/ROBC-600: 600 x 502 x 430
- ROBG/ROBC-900: 900 x 502 x 430
- ROBG/ROBC-1200: 1200 x 502 x 430
- ROBG/ROBC-1500: 1500 x 502 x 430
- ROBG/ROBC-1800: 1800 x 502 x 430

Specifications are subject to change without notice.

< CONFIDENCE IN QUALITY >  
**3 YEAR WARRANTY**

All our products carry a 3 year warranty and will last a very long time if our care instructions are followed.  
© Cookon is a member of the Langford Metal Industries Group, a Queensland company established 1955.

