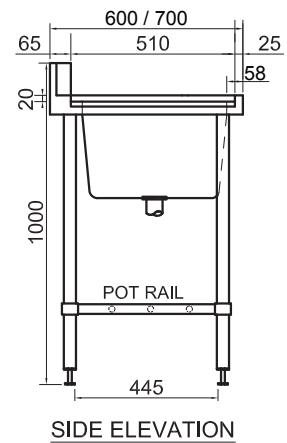
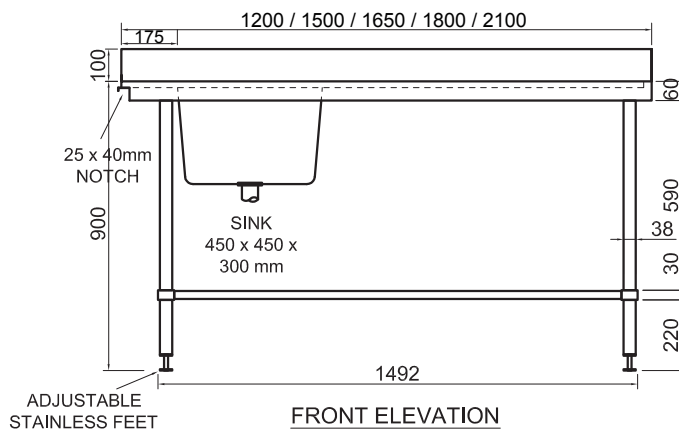


### Product Information:

- Suits leading brands of popular commercial dishwashers in 600mm or 700mm depth
- 1.2mm thick 304 stainless steel top
- Stainless steel top hat stiffening
- 38mm diameter stainless steel tube legs, 1.2mm thick
- Adjustable stainless steel disk feet fitted as standard
- 19mm diameter stainless steel tube under-shelf, 1.2mm thick
- Available left or right handed - please specify on order (excluding SS37.600)
- Bowl size 450mm x 450mm x 300mm deep, (60 litres) 1.2mm thick, full welded and polished (bowl positioned 175mm in from dishwasher leading edge)
- **Pre-punched waste hole to suit 90mm waste, supplied with Watermark approved commercial grade basket arrestor sink waste**
- Supplied flat packed ready for assembly



### General Drawing:



### Specifications:

<b>SS08.1200 (L, R)</b>	1200mm x 600mm x 900mm
<b>SS08.1500 (L, R)</b>	1500mm x 600mm x 900mm
<b>SS08.1650 (L, R)</b>	1650mm x 600mm x 900mm
<b>SS08.1800 (L, R)</b>	1800mm x 600mm x 900mm
<b>SS08.2100 (L, R)</b>	2100mm x 600mm x 900mm
<b>SS08.7.1200 (L, R)</b>	1200mm x 700mm x 900mm
<b>SS08.7.1500 (L, R)</b>	1500mm x 700mm x 900mm
<b>SS08.7.1650 (L, R)</b>	1650mm x 700mm x 900mm
<b>SS08.7.1800 (L, R)</b>	1800mm x 700mm x 900mm
<b>SS08.7.2100 (L, R)</b>	2100mm x 700mm x 900mm

Due to continuous product research and development, the information contained herein is subject to change without notice.

Revision: A - 12/03/2021

[www.stoddart.com.au](http://www.stoddart.com.au)

[www.stoddart.co.nz](http://www.stoddart.co.nz)