

WARRANTY 3 YEARS
PARTS & LABOUR



Turbo air

NSW & VIC Rebate Eligible

BACK BAR

Fridge
TBB-2SGD

FEATURES / BENEFITS

- **EFFICIENT REFRIGERATION SYSTEM**
Turbo Air's refrigerators are designed with oversized and balance refrigeration systems. These include efficient evaporators and condensers for faster cooling and greater efficiency.
- **FORCED AIR COOLING SYSTEM**
Fast cooling and balanced temperature throughout the cabinet.
- **STAINLESS STEEL COUNTERTOP AND INTERIOR**
The exterior of cabinet is constructed with heavy gauge reinforce stainless steel countertop and wear-resistant black vinyl coated galvanized steel. Interior is stainless steel floor and door liners w white painted galvanized steel inside walls. Turbo Air Back Bar m guarantees utmost in cleanliness and long product life. It also can add a touch of style to the most refined setting.
- **LED INTERIOR LIGHTING FOR ALL MODELS**
Bright LED interior lighting is specifically designed for perfect vis throughout the interior.
- **HIGH DENSITY POLYURETHANE INSULATION**
The entire cabinet structure is foamed-in-place using high density, CFC free polyurethane insulation.
- **ADJUSTABLE, HEAVY DUTY, PE (POLYETHYLENE) COATED WIRE SHELVES**
- **ERGONOMICALLY DESIGNED DOORS**
Customers' fatigue fades away with easy grip handles and doors that open effortlessly. These features along with self-closing doors make this the ultimate choice in customer convenience.
- **SIDE MOUNT COMPRESSOR UNIT**
By positioning the compressor on the side of the unit, refrigerators can now be serviced without being moved.



Optional features

- 125mm castors fitte
- 180mm, 105mm, 80mm castors optiona
- Adjustable legs 100-155mm, 70-90m

REFRIGERATOR MANUFACTURER
Turbo air

■ **WARRANTY: 3 Year Parts and Labour Warranty**

BACK BAR

Fridge
TBB-2SGD

Model	TBB-2SGD
Refrigerant	R-134a
COMP (HP)	1/5HP
POWER INPUT(W)	288W
Energy consumption	
AMPS(A)	
Capacity	580
Product Dimension W	1494
Product Dimension D	692
Product Dimension H	1066
Weight	140
Stainless steel	EGI (BLACK)
Features	SCC
Max GN Pan depth	
GN Pan	
Door lock	Yes
Adjustable Shelves	6
LED light	yes
Temperature range	0~10°C
Ambient temperature	
Drainage / Forced Evaporation	Yes
Temperature control	Digital control
Cooling type	FAN COOLING
Glass Type (Low-e / Heater / How many layer of the glass)	Double Pane Glass Door with Low-E glass

Design and specifications subject to change without notice.
Actual Shipping weight may differ due to extra packing materials for product protection.

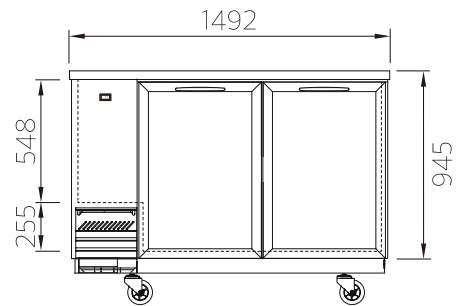
- DOOR LOCKS STANDARD
- SELF-CONTAINED SYSTEM
- 4" SWIVEL CASTERS STANDARD

WARRANTY 3 YEARS
PARTS & LABOUR

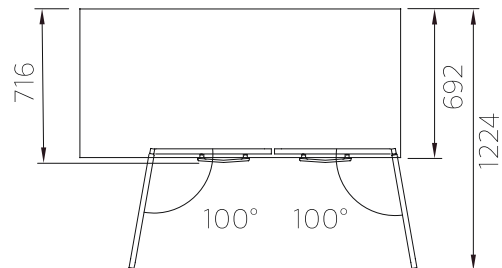


PLAN VIEW

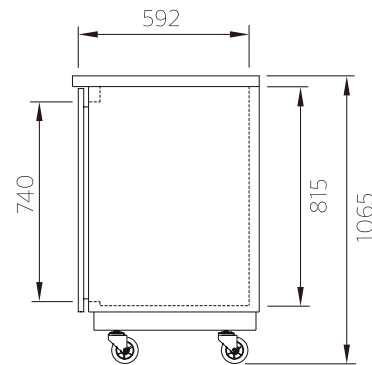
(unit : mm)



FRONT VIEW



TOP VIEW



SIDE VIEW

AUSTRALIA BRANCH

TURBO AIR PTY LTD
www.turboairinc.com.au
 1st Floor, Building E
 10 Highgate St, Auburn
 NSW 2144 Australia
 T. 02 9737 9881

Turbo air

email : TA.admin@turboairinc.com.au