



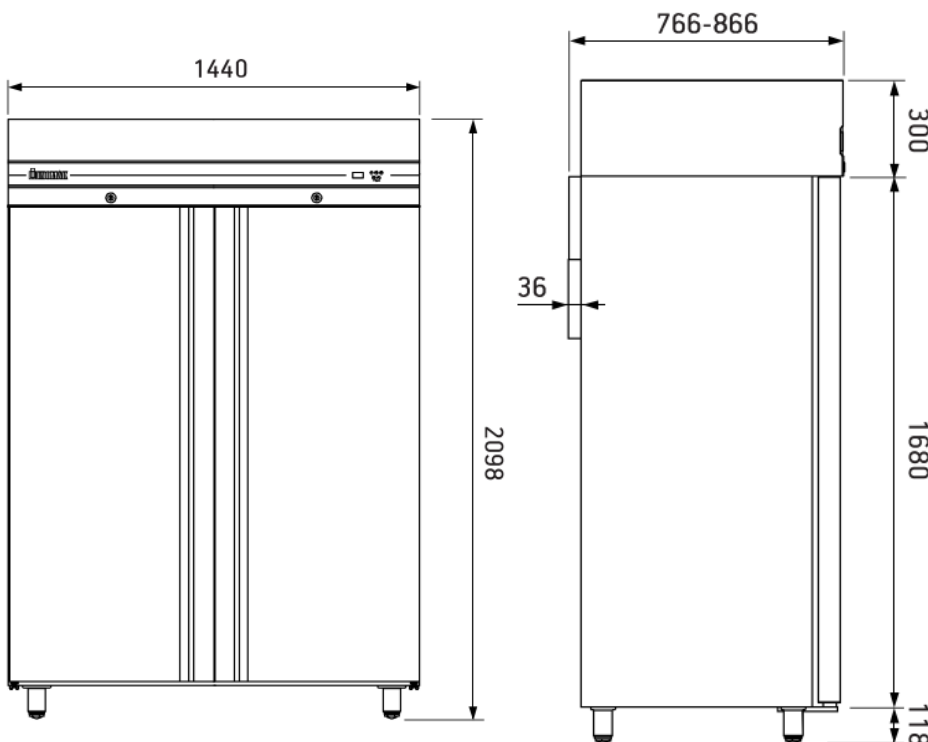
UFI1140

Double Door Upright Fridge

- 1227L
- Stainless steel door
- Anticorrosive protection on the evaporators
- Self closing mechanism under 90°
- Embedded controller
- Ambient temperature of 40°C
- Supplied with 5 shelves per door
- Heavy duty construction from 304 stainless steel interior and exterior
- Operating temp -2°C to 8°C
- Supplied on castors
- Internal dimensions: 1320 x 570 x 1550
- Manufacture code: CEP2144/SL/AUS



Shown on legs,
supplied on castors



Castors will add
30mm to the height

Technical Specifications

Power: 0.75kW

Voltage: 240V

Dimensions: 1440 x 768 x 2115mm

Weight: 201kg

Origin: Greece

