

SANDWICH PREPARATION FRIDGE

W.SM
prep fridges



Fridge doors with easy to clean handles



Under-bench shelving racks



Cold air is blown under and over the produce



Pans fit flush to maintain temperature

APPLICATION

Functional and attractive way to promote, prepare and store sandwich products

FEATURES & BENEFITS

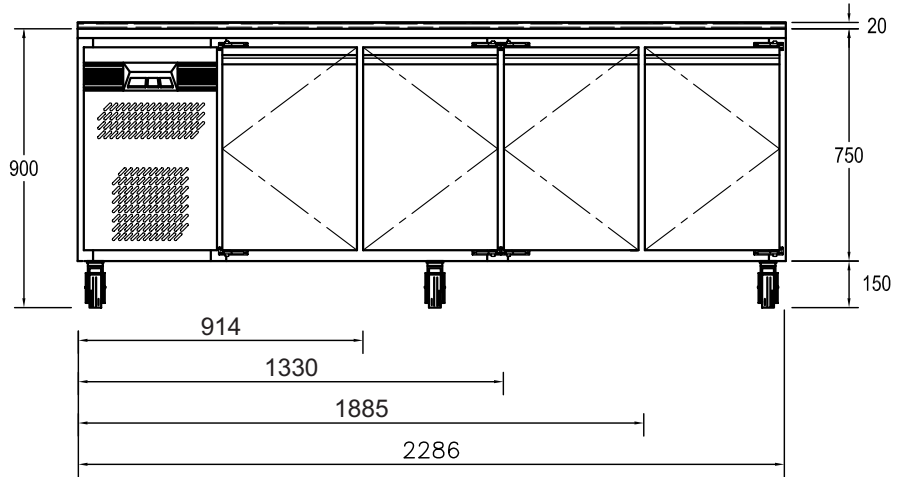
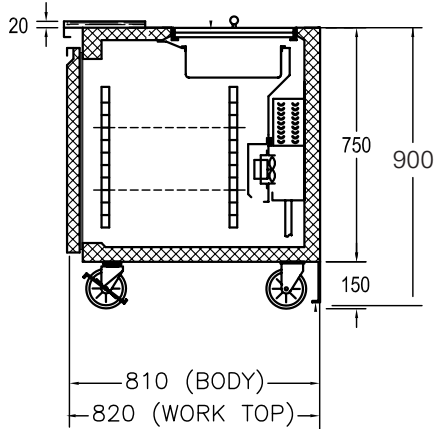
- ❑ Refrigerated ingredient well with cold air blowing under and over 100mm 1/3GN pans
- ❑ Undercounter refrigerator with 2 shelves per door
- ❑ Unique full-length back mounted evaporator coil
- ❑ Self contained refrigeration system using R-404a refrigerant, slides out for easy servicing
- ❑ Flat deck layout for easy access to contents and ingredients
- ❑ Complete stainless steel construction including interior surfaces in 2B finish and fridge doors with magnetic gaskets
- ❑ Supplied on 130mm removable castors for ease fo cleaning (plinth mounting available)
- ❑ Adjustable micro-processor control with digital temperature display

OPTIONS

- ❑ Polycarbonate cutting boards, additional shelves, runners & gastronorm pans available

SIDE VIEW

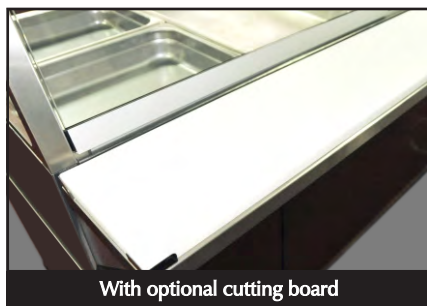
REAR VIEW



We reserve the right to alter specifications of products without notice

AVAILABLE MODELS

MODEL	Description	Dimensions	Power
WSM.914	Flat deck unit - 4 x 1/3GN pans wide unit with 1 door	914 x 810 x 900	1.0kW - 4.2Amp
WSM.1330	Flat deck unit - 7 x 1/3GN pans wide unit with 2 doors	1330 x 810 x 900	1.0kW - 4.2Amp
WSM.1885	Flat deck unit - 10 x 1/3GN pans wide unit with 3 doors	1885 x 810 x 900	1.0kW - 4.2Amp
WSM.2286	Flat deck unit - 13 x 1/3GN pans wide unit with 4 doors	2286 x 810 x 900	1.0kW - 4.2Amp



With optional cutting board



Interchangeable runners and gastronorm pans



Micro-processor control with digital display

For details of your local dealer contact:

QLD
Tel: 07 3440 7600
Fax: 07 3344 1000
fse@stoddart.com.au

WA
Tel: 08 9414 1343
Fax: 08 9414 1361
perth@stoddart.com.au

NSW
Tel: 02 8832 4399
Fax: 02 8832 4355
sydney@stoddart.com.au

VIC & TAS
Tel: 03 9565 4699
Fax: 03 9565 4655
melbourne@stoddart.com.au

SA & NT
Tel: 1300 79 1954
adelaide@stoddart.com.au

Dealer: