

Toaster Griller W.GTQI15

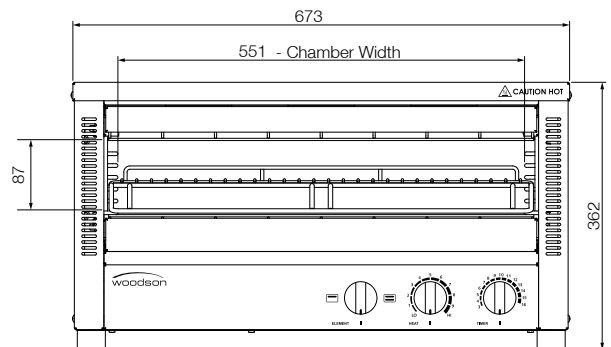
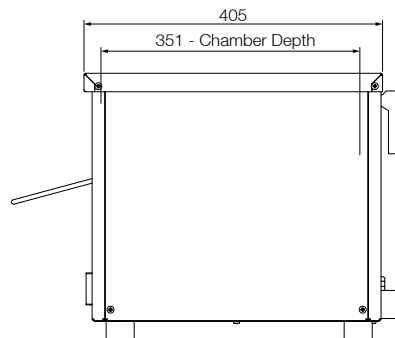
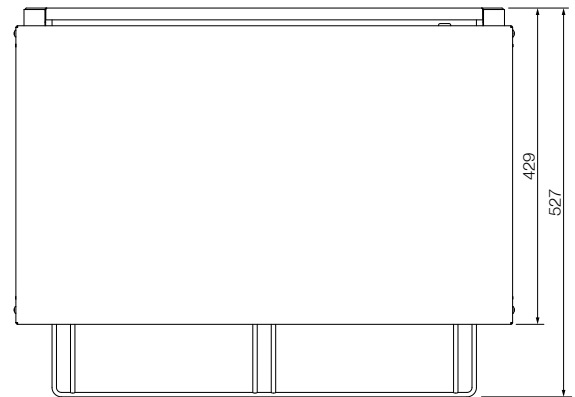


Product Information:

- Energy efficient 'instant' heat, ceramic coated glass infrared elements
- Fast, exceptionally even grilling and toasting
- Timer controlled operation
- Select top & bottom or top only heat
- Multiple position slides and rack for safer loading
- Easy to clean removable crumb tray
- Stainless steel construction
- Internal opening 551 x 351 x 87mm
- Includes wall mount brackets as standard

Specifications:

Model	W.GTQI15
Height	362mm
Width	673mm
Depth	527mm
Power	3.36kW
	15A plug & lead fitted
Capacity	15 Slice



Due to continuous product research and development, the information contained herein is subject to change without notice.

Revision: B - 31/08/2020

www.stoddart.com.au

www.stoddart.co.nz