



COLD  
ENGINEERING  
TECFRIGO

## MOBILE SALAD BAR

# ISOLA

### FEATURES INCLUDE:

Dark walnut trim  
Stainless steel well  
Motorised overhead perspex  
canopy  
Canopy lighting inc switch

Electronic temperature control  
Castor wheels  
Timber tray race (optional)  
Suitable for a variety of  
gastronorm pans

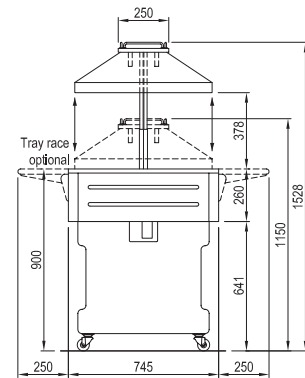
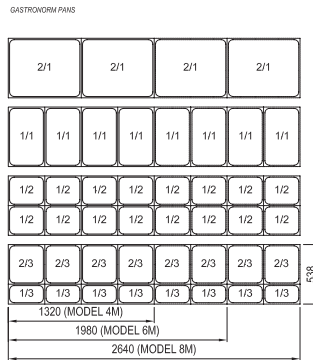
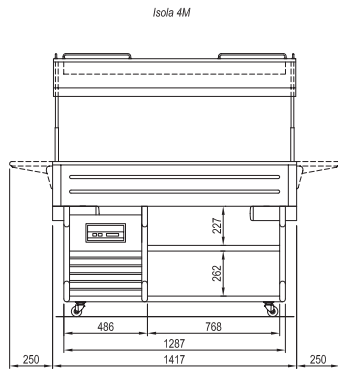




COLD  
ENGINEERING  
**TECFRIGO**

# ISOLA

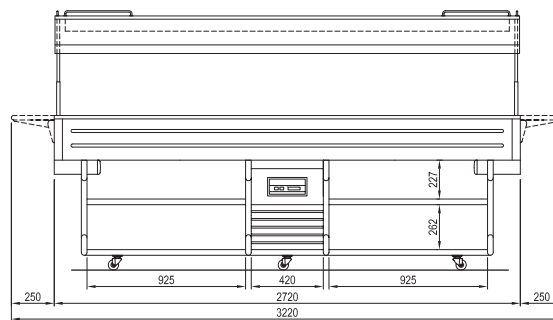
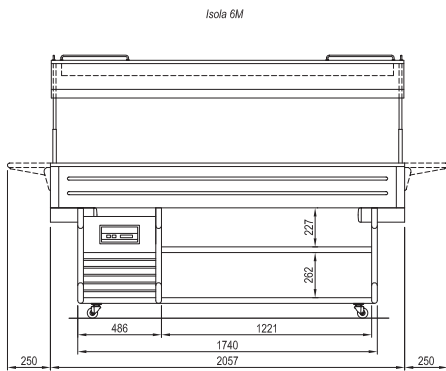
## MOBILE SALAD BAR



Isola 4M

GASTRONORM PANS

Isola 8M



Isola 6M

ISOLA	4M	6M	8M
* Operating temp (°C)	+4/+10	+4/+10	+4/+10
Refrigeration	Ventilated	Ventilated	Static
Defrost	Automatic	Automatic	Automatic
Power requirements	1ph / 10amp	1ph / 10amp	1ph / 10amp
Nominal power (W)	720	810	820
Gastronorm pans (max height 150mm)	1/4-1/3-1/2 2/3-1/1-2/1	1/4-1/3-1/2 2/3-1/1-2/1	1/4-1/3-1/2 2/3-1/1-2/1
Weight w/o packaging (kg)	130	166	240

\* Climate class 4 (30°C, 55%R/H)  
Gastronorm pans not included

Information supplied as a guide only and is subject to change without notice.

RTA: AU10320

Head Office – WA 6 Parkland Road, Osborne Park WA 6017  
 Victoria Branch 63 Yale Drive, Epping VIC 3076  
 New South Wales Branch 6 Grevillea Place, Eastern Creek, NSW 2766  
 Queensland Branch 157 Bluestone Circuit, Seventeen Mile Rocks QLD 4073  
 South West WA Branch Unit 2, 1 Halifax Drive, Bunbury WA 6230  
 South Australia Branch 26 Cavan Road, Dry Creek SA 5094

Phone 08 9242 5000 Fax 08 9242 5055  
 Phone 03 9401 1366 Fax 03 9401 1566  
 Phone 02 8856 7900 Fax 02 8856 7999  
 Phone 07 3363 7900 Fax 07 3363 7999  
 Phone 08 9726 0500 Fax 08 9726 0400  
 Phone 08 8368 2300 Fax 08 8368 2399

**BAKER**  
REFRIGERATION