

SERVE OVER COUNTER

FEATURES INCLUDE:

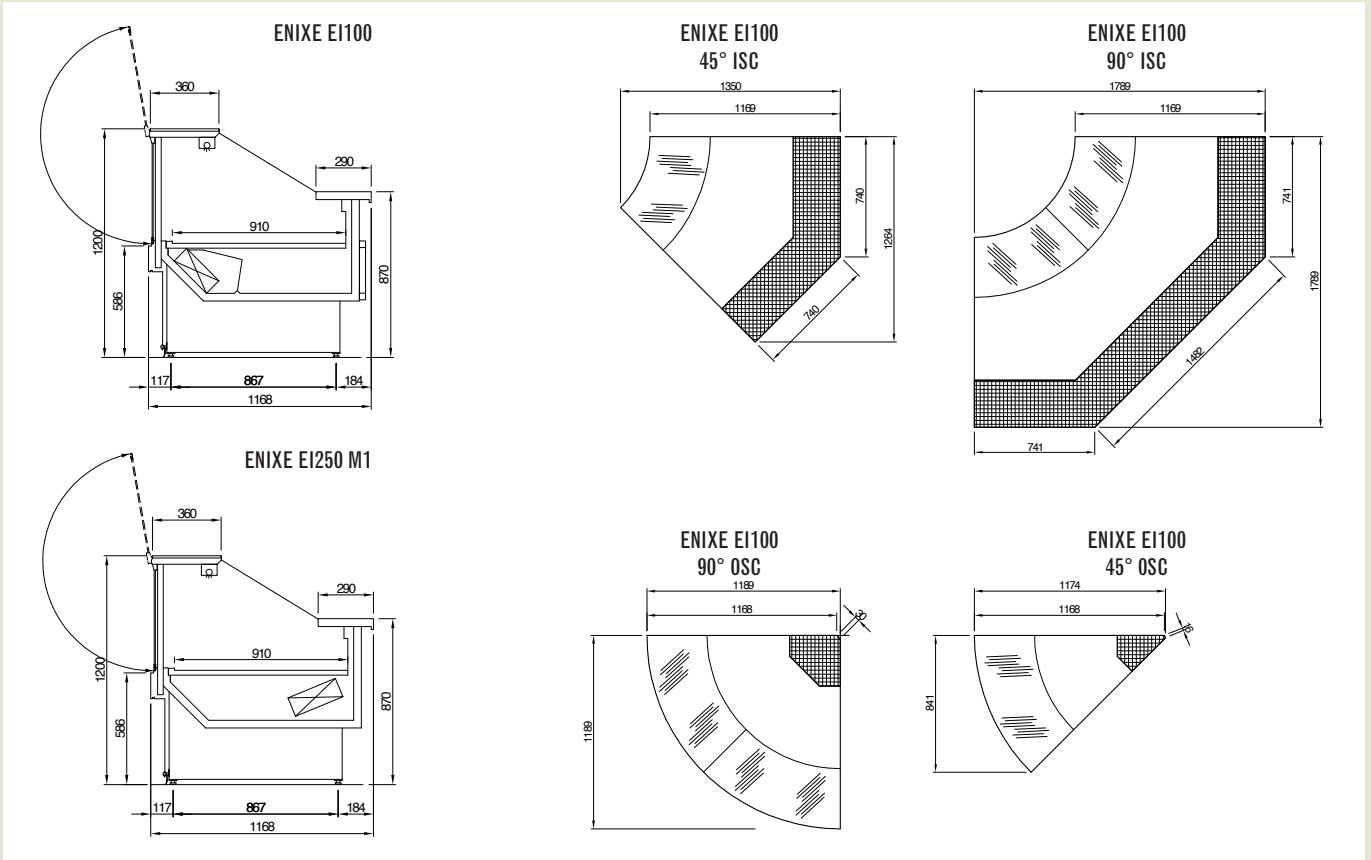
EI100 Serve Over Deli Counter
EI250 M1 Server Over Meat Counter
Flat lift up glass
Front glass demister
Canopy lighting
Rear perspex slides

Electronic temperature control
Castor wheels (optional)
Rear refrigerated storage compartment (not on EI250 M1)



ENIXE

SERVE OVER COUNTER



ENIXE EI100	937.5	1250	1875	2500	3125	3750	--45°ISC	--90°ISC	--45°OSC	--90°OSC
* Operating temp (°C)	+2/+4	+2/+4	+2/+4	+2/+4	+2/+4	+2/+4	+2/+4	+2/+4	+2/+4	+2/+4
ENIXE EI250 M1	**937.5	**1250	**1875	2500	3125	3750				
* Operating temp (°C)	0/+2	0/+2	0/+2	0/+2	0/+2	0/+2				
Refrigeration	Ventilated	Ventilated	Ventilated	Ventilated	Ventilated	Ventilated	Ventilated	Ventilated	Ventilated	Ventilated
Defrost	Automatic	Automatic	Automatic	Automatic	Automatic	Automatic	Automatic	Automatic	Automatic	Automatic
Power requirements	1ph / 10amp	1ph / 10amp	1ph / 10amp	1ph / 10amp	1ph / 10amp	1ph / 10amp	1ph / 10amp (not suitable for stand-alone use)			
Nominal power (W)	508	520	678	776	1224	1232	520	598	490	568
Length w/o endwalls (mm)	937.5	1250	1875	2500	3125	3750	refer to layouts			
Endwall thickness (mm)	40	40	40	40	40	40	N/A	N/A	N/A	N/A
Height w/o castors (mm)	1200	1200	1200	1200	1200	1200	1200	1200	1200	1200
Height inc castors (mm)	1250	1250	1250	1250	1250	1250	1250	1250	1250	1250
Weight w/o packaging (kg)	130	160	220	280	340	410	135	270	120	240

* Climate class 3 (25°C, 60%RH)

45°OSC supplied without condensing unit. Connect to adjacent straight section

** Ex factory item

--Not suitable for stand-alone use

Corners must always be multiplexed with 2 straight sections

Enixe Ei250 M1 supplied with larger evaporator and without refrigerated storage

Information supplied as a guide only and is subject to change without notice.

RTA: AU10320

Head Office – WA 6 Parkland Road, Osborne Park WA 6017
 Victoria Branch 63 Yale Drive, Epping VIC 3076
 New South Wales Branch 6 Grevillea Street, Eastern Creek, NSW 2766
 Queensland Branch 157 Bluestone Circuit, Seventeen Mile Rocks QLD 4073
 South West WA Branch Unit 2, 1 Halifax Drive, Bunbury WA 6230
 South Australia Branch 26 Cavan Road, Dry Creek SA 5094

Phone 08 9242 5000 Fax 08 9242 5055
 Phone 03 9401 1366 Fax 03 9401 1566
 Phone 02 8856 7900 Fax 02 8856 7999
 Phone 07 3363 7900 Fax 07 3363 7999
 Phone 08 9726 0500 Fax 08 9726 0400
 Phone 08 8368 2300 Fax 08 8368 2399

BAKER
 REFRIGERATION