

## ALFA 140

CONVECTION OVEN - 1.5 AMP

**4 Tray** capacity, 600x400mm (wire racks supplied) / GN1/1 (optional)



### GUARANTEED COOKING PERFORMANCE

Smeg catering products draw on the experience of approximately 40 years in the Foodservice industry. The ovens are built with the highest quality materials, making them particularly tough and strong.

### VERSATILITY

The complete Smeg Foodservice catalogue offers a range of ovens for all needs and environments, fulfilling any requirement in the most efficient and high-performing way.

### PRODUCT FEATURES

- Compact and functional design, robust stainless steel construction
- Full stainless steel oven cavity
- Manual electromechanical controls, extremely simple and reliable
- **Rack suitable for both GN1/1\* trays and 600x400mm trays**
- Excellent internal visibility, due to the large glass and powerful inner light
- **Consistent baking uniformity across all trays, due to one bidirectional fan with timed rotation reversal**
- Double glass door, with internal glass removable for cleaning
- **15Amp plug**
- 4 wire racks (model 3805) included
- Dimensions (mm) (WxDxH): 780x715x562
- **24 months parts and labour warranty**

### ACCESSORIES

- TVL425 & TVL425D - Stainless steel stand
- 3743 - Flat aluminium tray
- 3805 - Wire racks
- 3810 - Undulated wire racks
- 3751 - Flat aluminium tray with holes

\* GN1/1 with minimum 20mm depth

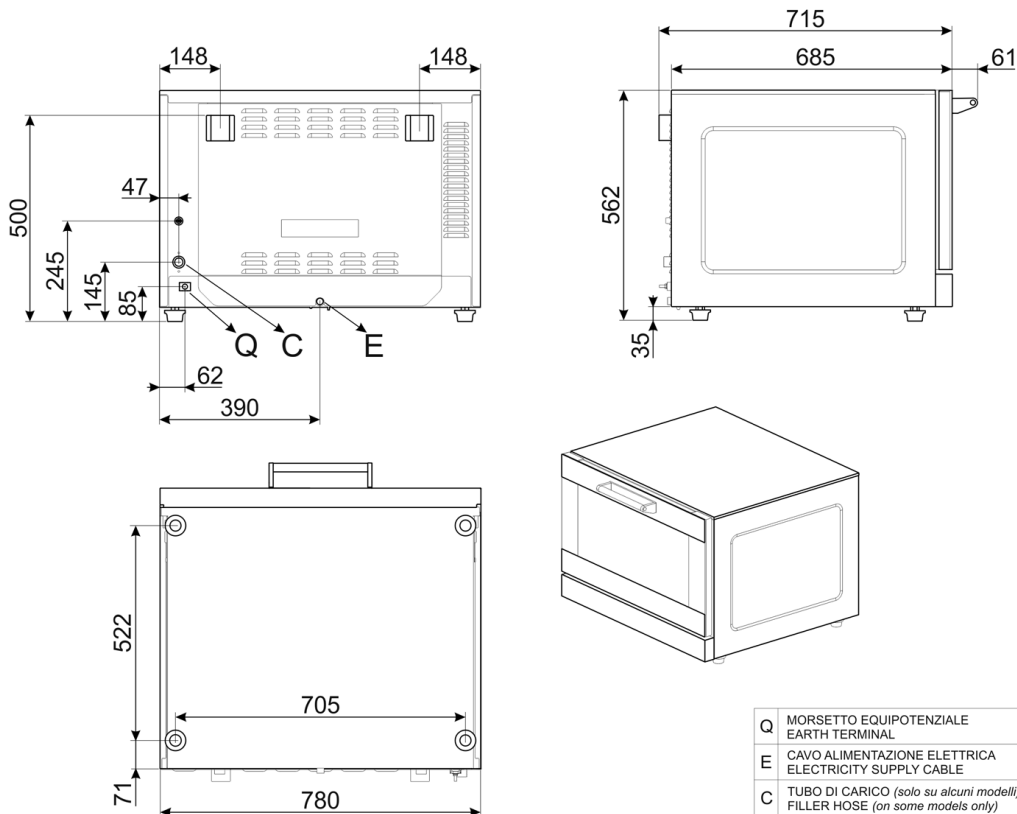
# ALFA 140

CONVECTION OVEN - 1.5 AMP

4 Tray capacity, 600x400mm (wire racks supplied) / GN1/1 (optional)

## TECHNICAL SPECIFICATIONS

Dimensions (mm) (WxDxH)	780x715x562
Trays (mm)	600x400
Tray capacity	4
Distance between trays (mm)	77
Control type	Manual
Door/hood structure	Stainless steel
Temperature range (°C)	50 - 250°C
Timer	1 - 60min + manual
Power rating & electrical connection	3 kW, 230V 1N - 50Hz



Q	MORSETTO EQUIPOTENZIALE EARTH TERMINAL
E	CAVO ALIMENTAZIONE ELETTRICA ELECTRICITY SUPPLY CABLE
C	TUBO DI CARICO (solo su alcuni modelli) FILLER HOSE (on some models only)



UNI EN ISO 9001  
9130-Smeg

UNI EN ISO 14001  
9191-SME2

DHSAS 18001  
9192-SME3