

ALTO SHAAM CS-200 & CS-200/S

DOUBLE LIGHT CARVING STATION

Heated carving shelf is constructed in stainless steel and includes ON/OFF power switch and indicator light.

Heated shelf base is controlled by a 3 position toggle switch for LOW / MEDIUM / HIGH heat.

The 250 watt infrared heat lamp is controlled by ON/OFF switch. The exterior has a recessed surface to catch drippings and is furnished with one set of 25mm legs and cutting board.



STANDARD FEATURES

- HALO HEAT a controlled, uniform heat source radiating heat directly from the carving shelf surface.
- Fixed lamp assembly provides additional heat to the product surface for greater ambient surface temperature control.
- Proper and safe serving temperatures maintained without additional cooking.
- Shelf surface is recessed to catch drippings.
- Sanitary cutting board with gravy lane is completely removable. NSF and USDA listed.
- Designed to fit on top of a HALO HEAT Cook & Hold Oven, Heated Holding Cabinet, or suitable for placement on any surface.
- Clear glass customer breath guard easily slides in place and meets new NSF breath guard specifications.
- Low energy usage.

SPECIFICATIONS ARE SUBJECT TO CHANGE WITHOUT NOTICE.

From the world of Comcater!

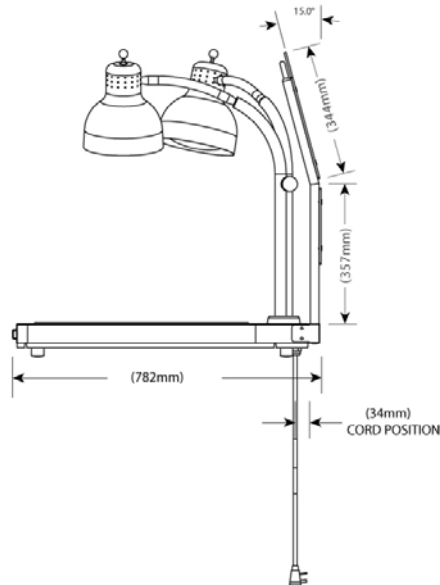
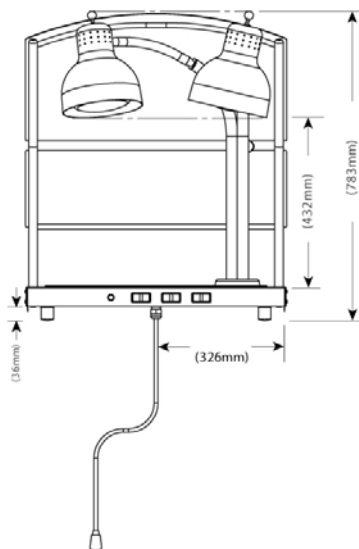
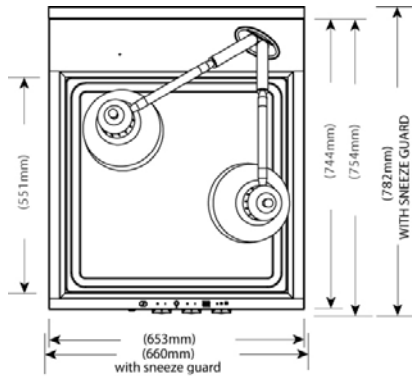
National Head Office
156 Swann Drive
Derrimut VIC 3030
Tel: +61 3 8369 4600
Fax: +61 3 8369 4695

Melbourne
96-100 Tope Street,
South Melbourne VIC 3205
Tel: +61 3 8369 4600
Fax: +61 2 8699 1299

Sydney
20/4 Avenue of the Americas
Newington, NSW 2127
Tel: +61 2 9748 3000
Fax: +61 2 9 648 4762

Brisbane
1/62 Borthwick Avenue
Murarrie QLD 4172
Tel: +61 7 3399 3122
Fax: +61 7 3399 5311

ALTO SHAAM CS-200 & CS-200/S



DIMENSIONS

Dimension: 783H x 660W x 782D mm

TECHNICAL DATA

Power Supply	10 amp single phase. 240 Volts
Voltage	240
Phase	1
Hertz	50/60
Amps	3.26
kW	0.75

SPECIFICATIONS ARE SUBJECT TO CHANGE WITHOUT NOTICE.