

MARENO ANC7FG-8G

4 BURNER GAS RANGE WITH GAS OVEN

Gas hob constructed entirely from AISI 304 stainless steel. Hob with radiused corners for easy cleaning; cast-iron pan supports with acid-alkali-flame resistant enamel finish. Gas supply controlled by safety valves. The appliance comprises 4 cast-iron "pipe" burners that can be removed for easy cleaning, complete with pilot burner and safety thermocouple. GN 2/1 gas oven with thermostatic control valve providing temperature adjustment from 100°C to 330°C. Stable flame burner complete with pilot flame, safety thermocouple and piezoelectric ignition. Internal dimensions of oven: 535x650x300h mm. Oven power: 29mj. The appliance is supported on height-adjustable stainless-steel feet.



STANDARD FEATURES

- Heavy Duty 1.5mm thick pressed tops
- Easy to remove high efficiency burners
- Modern appealing look
- Flame failure and pilot lights standard
- Interlocking device supplied standard on all units
- Modular design
- IPX4 water rating
- Easy to clean

SPECIFICATIONS ARE SUBJECT TO CHANGE WITHOUT NOTICE.

From the world of Comcater!

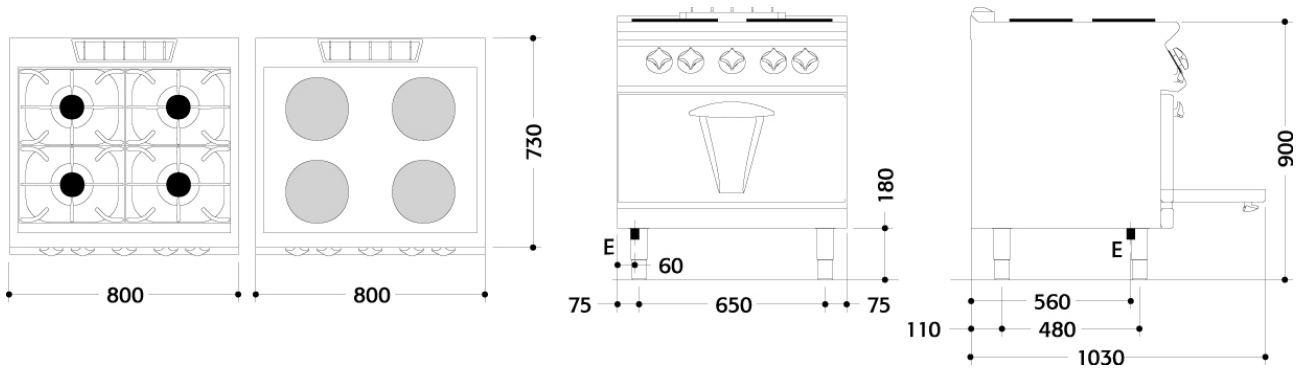
National Head Office
156 Swann Drive
Derrimut VIC 3030
Tel: +61 3 8369 4600
Fax: +61 3 8369 4695

Melbourne
96-100 Tope Street,
South Melbourne VIC 3205
Tel: +61 3 8369 4600
Fax: +61 2 8699 1299

Sydney
20/4 Avenue of the Americas
Newington, NSW 2127
Tel: +61 2 9748 3000
Fax: +61 2 9 648 4762

Brisbane
1/62 Borthwick Avenue
Murarrie QLD 4172
Tel: +61 7 3399 3122
Fax: +61 7 3399 5311

MARENO ANC7FG-8G



DIMENSIONS

External Dimension: 730D x 800W x 850-900H mm

Oven Dimension: 535D x 650W x 300H mm

TECHNICAL DATA

Gas Type	Natural or LP
Total Output (gas)	116mj
Burners	4 x 22mj
Oven Burner (gas)	1 x 29mj
Gas Connection	1/2"

SPECIFICATIONS ARE SUBJECT TO CHANGE WITHOUT NOTICE.



www.comcater.com.au

PROUDLY DISTRIBUTED BY: