



Electrolux

**Modular Cooking Compact Line
Gas French Top 36"**

ITEM # _____

MODEL # _____

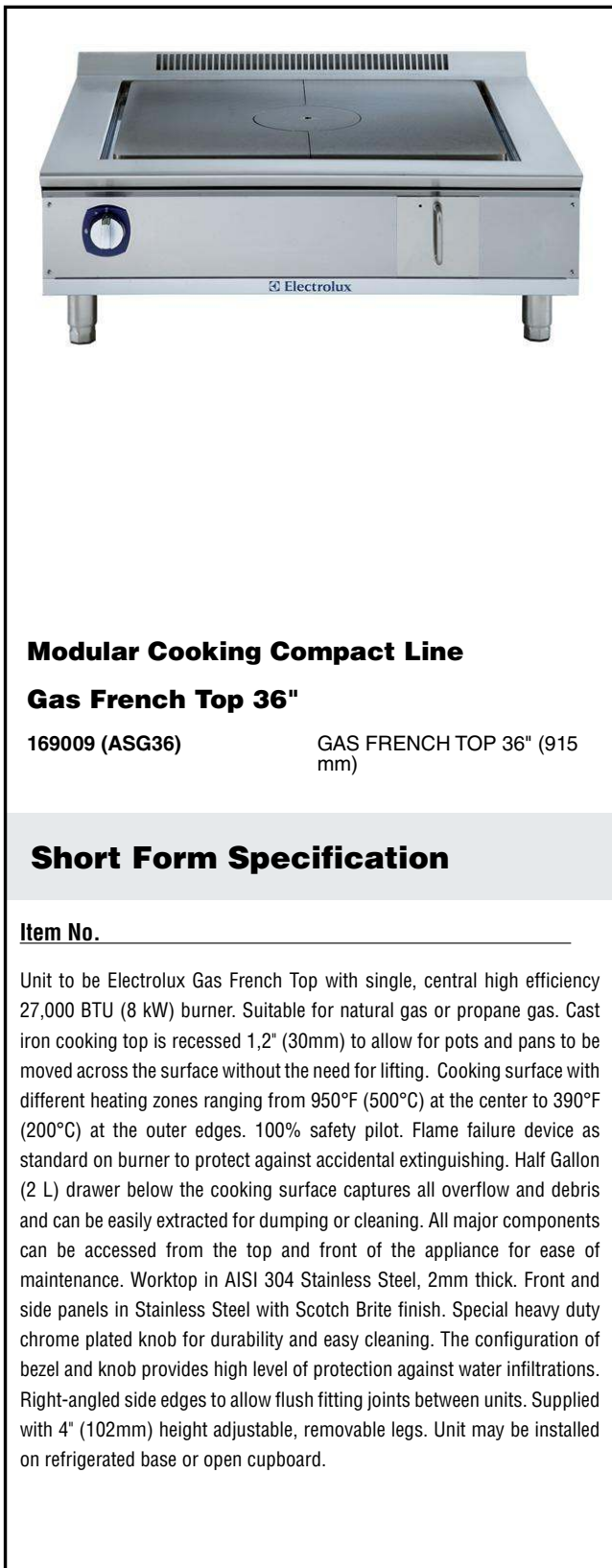
NAME # _____

SIS # _____

AIA # _____



Electrolux



Modular Cooking Compact Line

Gas French Top 36"

169009 (ASG36)

GAS FRENCH TOP 36" (915 mm)

Short Form Specification

Item No. _____

Unit to be Electrolux Gas French Top with single, central high efficiency 27,000 BTU (8 kW) burner. Suitable for natural gas or propane gas. Cast iron cooking top is recessed 1,2" (30mm) to allow for pots and pans to be moved across the surface without the need for lifting. Cooking surface with different heating zones ranging from 950°F (500°C) at the center to 390°F (200°C) at the outer edges. 100% safety pilot. Flame failure device as standard on burner to protect against accidental extinguishing. Half Gallon (2 L) drawer below the cooking surface captures all overflow and debris and can be easily extracted for dumping or cleaning. All major components can be accessed from the top and front of the appliance for ease of maintenance. Worktop in AISI 304 Stainless Steel, 2mm thick. Front and side panels in Stainless Steel with Scotch Brite finish. Special heavy duty chrome plated knob for durability and easy cleaning. The configuration of bezel and knob provides high level of protection against water infiltrations. Right-angled side edges to allow flush fitting joints between units. Supplied with 4" (102mm) height adjustable, removable legs. Unit may be installed on refrigerated base or open cupboard.

APPROVAL: _____

Main Features

- Single, central high efficiency 27,000 BTU (8 kW) gas burner.
- Durable cast iron cooking plate, easy to clean.
- Cast iron cooking top is recessed 1,2" (30mm) to allow for pots and pans to be moved across the surface without the need for lifting. Cooking surface with different heating zones ranging from 950°F (500°C) at the center to 390°F (200°C) at the outer edges.
- Removable circular ring positioned at center of cooking surface and directly over the burner.
- Half gal. (2 l) drawer below the cooking surface captures all overflow and debris and can be easily extracted for dumping or cleaning.
- Flame failure device protects against accidental extinguishing of the flame.
- 100% safety pilot.
- All major components can be accessed from the top and front of the appliance for ease of maintenance.
- Worktop in AISI 304 Stainless Steel, 2mm thick.
- Front and side panels in Stainless Steel with Scotch Brite finish.
- Special heavy duty chrome plated knob for durability and easy cleaning.
- The configuration of bezel and knob provides high level of protection against water infiltrations.
- Right-angled side edges to allow flush fitting between units.
- Provided with kit for side-by-side connection between units for minimizing gaps and possible dirt traps.
- Supplied with 4" (102mm) height adjustable, removable legs.
- Unit may be installed on refrigerated base by removing the legs and inserting the special pins (optional accessory model # 169048).
- Unit may be installed on open cupboard by removing the legs and inserting the screws provided as standard with the open cupboards.
- Included Accessories: propane converter kit, pressure regulator, main shut off valve and hook for removal of cooking surface central ring.

Optional Accessories

- 4 pins kit to fix top equipment on refrigerated or open bases PNC 169048

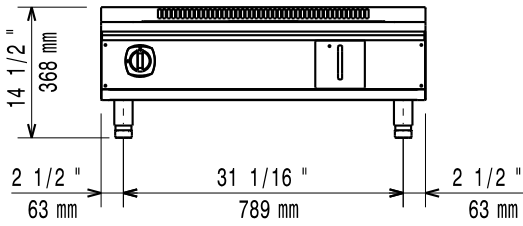
**Modular Cooking Compact Line
Gas French Top 36"**



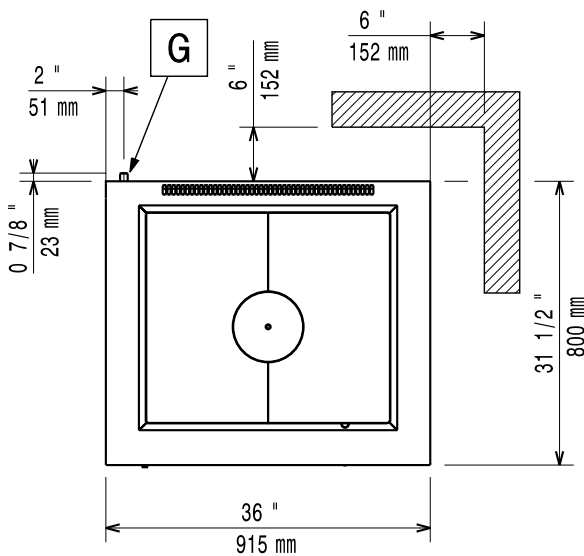
Electrolux

Modular Cooking Compact Line Gas French Top 36"

Front

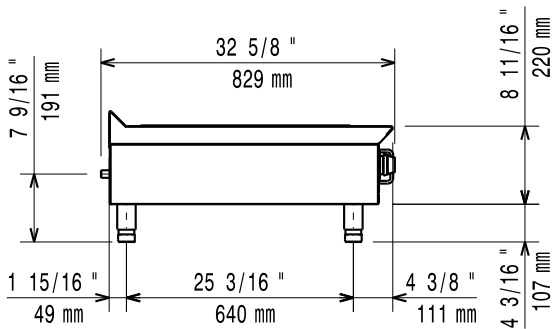


Top



- EQ** = Equipotential screw
- G** = Gas connection

Side



Gas

Gas Power:	
169009(ASG36)	27000 Btu/hr (8 kW)
Gas Inlet:	3/4" NPT
Natural gas - Pressure:	3" w.c. (7 mbar)
Propane Gas Pressure:	7" w.c. (17.4 mbar)

Key Information:

Solid top usable surface (width):	27 3/16" (690 mm)
Solid top usable surface (depth):	23 1/4" (590 mm)
External dimensions, Width:	36 1/32" (915 mm)
External dimensions, Depth:	31 1/2" (800 mm)
External dimensions, Height:	14 5/8" (372 mm)
Net weight:	146 lbs (66 kg)
Shipping width:	38 9/16" (980 mm)
Shipping depth:	35 13/16" (910 mm)
Shipping height:	27 15/16" (710 mm)
Shipping weight:	209 lbs (95 kg)
Shipping volume:	22.36 ft ³ (0.63 m ³)

*The rear and side clearances shown on the diagram indicate the minimum distances recommended from the appliance to combustible surfaces.

Modular Cooking Compact Line
Gas French Top 36"

The company reserves the right to make modifications to the products without prior notice. All information correct at time of printing.

2012.11.12

