



# EM Series Open Cupboard 12"

ITEM # \_\_\_\_\_

MODEL # \_\_\_\_\_

PROJECT NAME # \_\_\_\_\_

SIS # \_\_\_\_\_

AIA# \_\_\_\_\_



### EM Series

### Open Cupboard 12"

169028 (AV12)

Open Cupboard  
12" (305 mm)

### Short Form Specification

Item No. \_\_\_\_\_

Unit to be Electrolux Open Cupboard 12" (305 mm). Unit to be installed below Electrolux top units. Construction in stainless steel. Right-angled side edges to allow flush fitting between units. Supplied with 6" (150 mm) height adjustable, removable legs. Unit may be installed on castors.

### Main Features

- Unit to be installed below Electrolux top models.
- Constructed in stainless steel with Scotch Brite finish.
- Right-angled side edges to allow flush fitting between units.
- Supplied with 6" (150 mm) height adjustable, removable legs.
- Unit may be installed on castors.
- Base compartment for storage of pots, pans, sheet pans, etc.
- Included accessories: 4 pins for connection to top units.



Approval: \_\_\_\_\_

**Electrolux Professional, Inc.**

[www.electroluxusa.com/professional](http://www.electroluxusa.com/professional)

10200 David Taylor Drive, Charlotte, NC 28262 • Telephone Number: 866-449-4200 • Fax Number: 704-547-7401

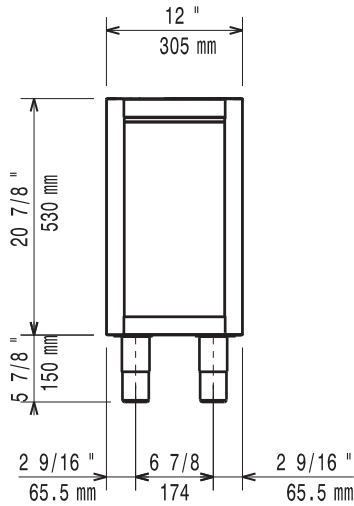
**Electrolux**

**EM Series  
Open Cupboard 12"**

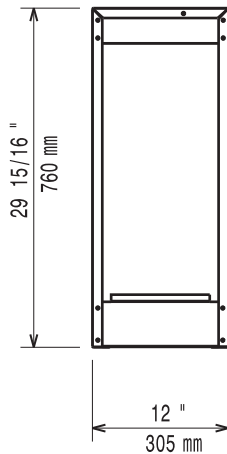
### Key Information

<b>External dimensions, width</b>	12 1/64" (305 mm)
<b>External dimensions, depth</b>	29 15/16" (760 mm)
<b>External dimensions, height</b>	26 11/16" (678 mm)
<b>Net weight:</b>	22 lbs (10 kg)
<b>Shipping width:</b>	14" (355 mm)
<b>Shipping depth:</b>	35 7/16" (900 mm)
<b>Shipping height:</b>	34 1/4" (870 mm)
<b>Shipping weight:</b>	29 lbs (13 kg)
<b>Shipping volume:</b>	9.82 ft <sup>3</sup> (0.28 m <sup>3</sup> )

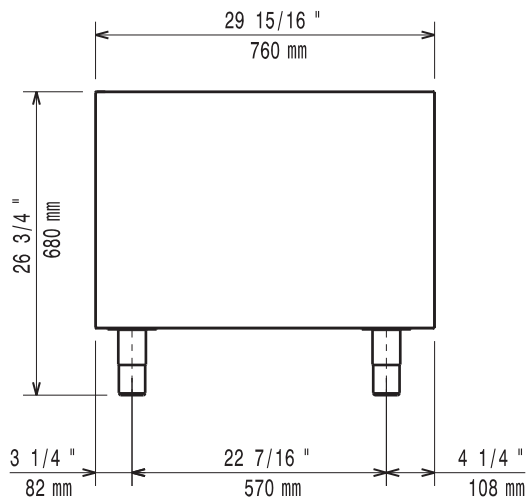
**Front**



**Top**



**Side**



**EM Series  
Open Cupboard 12"**

The company reserves the right to make modifications to the products without prior notice. All information correct at time of printing.