



EM Series Open Cupboard 16"

ITEM # _____

MODEL # _____

PROJECT NAME # _____

SIS # _____

AIA# _____



EM Series

Open Cupboard 16"

169029 (AV16)

OPEN CUPBOARD
16" (406 mm)

Short Form Specification

Item No. _____

Unit to be Electrolux Open Cupboard 16" (406 mm). Unit to be installed below Electrolux top units. Construction in Stainless Steel. Right-angled side edges to allow flush fitting between units. Supplied with 6" (150 mm) height adjustable, removable legs. Unit may be installed on castors.

Main Features

- Unit to be installed below Electrolux top models.
- Constructed in Stainless steel with Scotch Brite finish.
- Right-angled side edges to allow flush fitting between units.
- Supplied with 6" (150 mm) height adjustable, removable legs.
- Unit may be installed on castors.
- Base compartment for storage of pots, pans, sheet pans, etc.
- Included Accessories: 4 pins for connection to top units.

Optional Accessories

- 4 castors kit for open and oven bases - 2 PNC 206135
swivelling with brakes



Approval: _____

Electrolux Professional Inc.

www.electroluxusa.com/professional

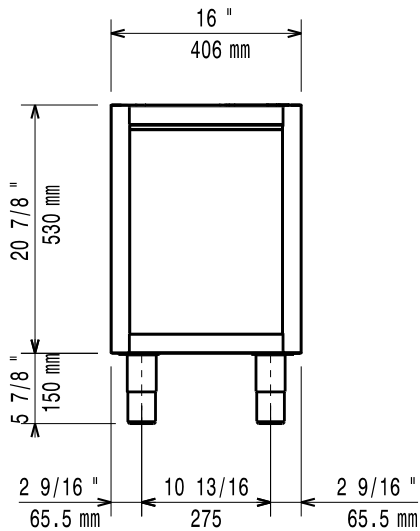
www.electrolux.com/foodservice

foodservice@electrolux.com

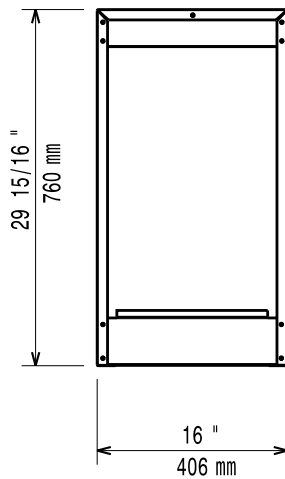


EM Series
Open Cupboard 16"

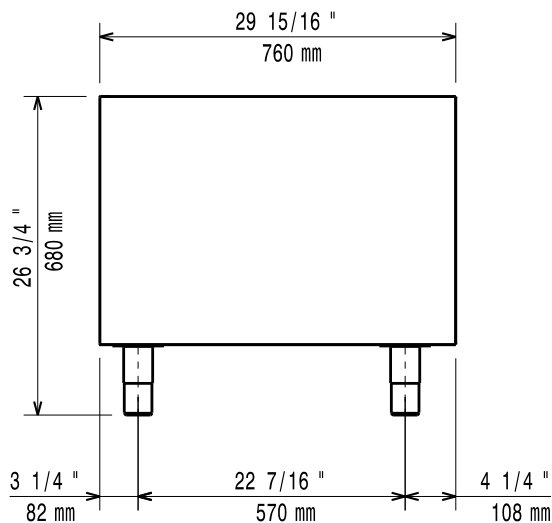
Front



Top



Side



Key Information

External dimensions, Width

169029(AV16) 16 " (406 mm)

External dimensions, Depth 29 15/16" (760 mm)

External dimensions, Height 26 11/16" (678 mm)

Net weight: 33 lbs (15 kg)

Shipping width: 17 15/16" (456 mm)

Shipping depth: 35 7/16" (900 mm)

Shipping height: 34 1/4" (870 mm)

Shipping weight: 42 lbs (19 kg)

Shipping volume: 12.61 ft³ (0.36 m³)