



**Modular Cooking Compact Line
Open Cupboard 24"**

ITEM # _____

MODEL # _____

NAME # _____

SIS # _____

AIA # _____



**Modular Cooking Compact Line
Open Cupboard 24"**

169030 (AV24)

OPEN CUPBOARD
24" (610 mm)

Short Form Specification

Item No. _____

Unit to be Electrolux Open Cupboard 24" (610 mm). Unit to be installed below Electrolux top units. Construction in Stainless Steel. Right-angled side edges to allow flush fitting between units. Supplied with 6" (150 mm) height adjustable, removable legs. Unit may be installed on castors.

Main Features

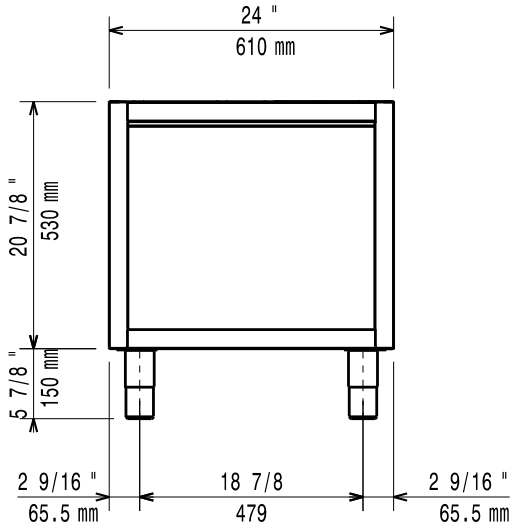
- Unit to be installed below Electrolux top models.
- Constructed in Stainless steel with Scotch Brite finish to meet the highest hygiene standards.
- Right-angled side edges to allow flush fitting joints between units, eliminating gaps and possible dirt traps.
- Supplied with 150 mm height adjustable, removable legs.
- Unit may be installed on castors.
- Base compartment for storage of pots, pans, sheet pans, etc.
- Included Accessories: 4 pins for connection to top units.

Optional Accessories

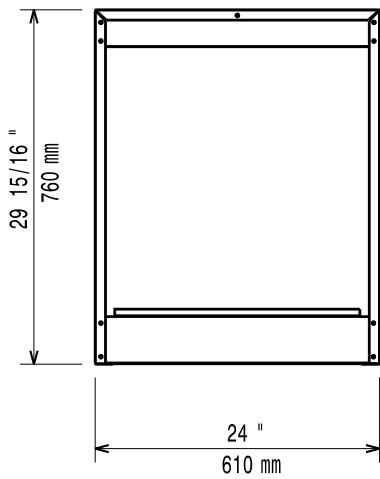
- Kit of 4 wheels, 2 swivelling with brake PNC 206135

APPROVAL: _____

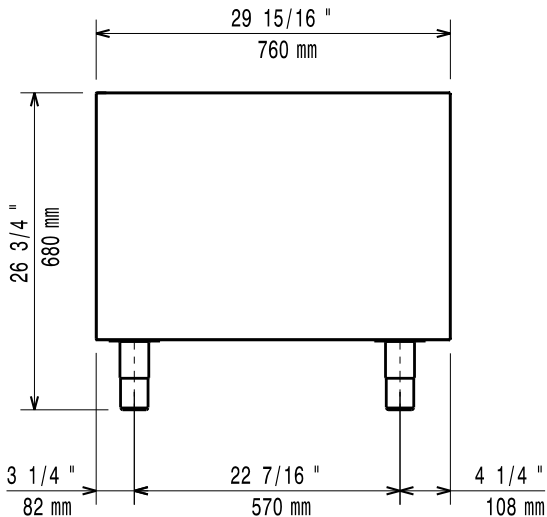
Front



Top



Side



Key Information

External dimensions, Width 169030(AV24)	24 1/32" (610 mm)
External dimensions, Depth	29 15/16" (760 mm)
External dimensions, Height	26 11/16" (678 mm)
Net weight:	44 lbs (20 kg)
Shipping width:	24 1/32" (610 mm)
Shipping depth:	29 15/16" (760 mm)
Shipping height:	26 11/16" (678 mm)
Shipping weight:	44 lbs (20 kg)
Shipping volume:	11.1 ft ³ (0.31 m ³)

Modular Cooking Compact Line
Open Cupboard 24"



The company reserves the right to make modifications to the products without prior notice. All information correct at time of printing.