



BIN240PE

ICE STORAGE BIN

Polyethylene moulded storage bin which sits underneath a range of Brema modular ice machine heads.

The BIN240PE stores 180kg of ice and has an insulated polyethylene moulded tank to ensure long-lasting, quality ice.

When coupled with an ice cube or ice flake head, the BIN240PE generously stores ice to meet peak demand times for a range of applications.

Can be coupled with: C150, VM350/500/900, TM250/450, G160/280/510.

**STANDARD FEATURES**

- 180kg storage capacity
- Can be coupled with a range of Brema modular ice machine heads
- Polyethylene moulded outer
- Polyethylene moulded tank for insulation
- Piano-hinged door

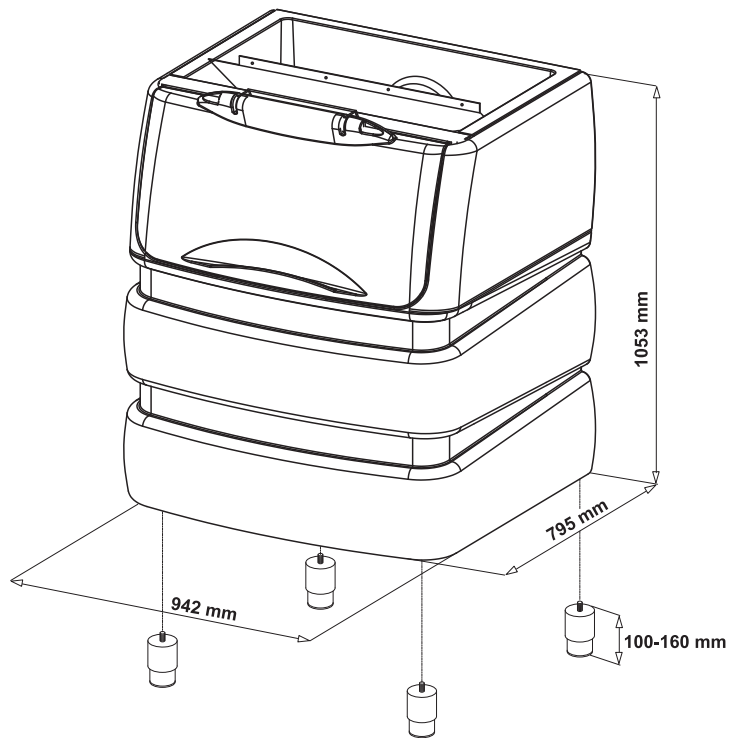
**STANDARD ACCESSORIES**

- Drainage hose
- Adjustable stainless steel legs (4)
- Plastic ice scoop



DIMENSIONS	
942W x 795D x 1053*H mm *(add 100-160mm for adjustable legs)	
Clearances: Rear: 100mm Sides: 100mm	
CONNECTIONS	
24mm Water outlet	
TECHNICAL DATA	
Storage Capacity:	180kg
Weight:	61kg
USABLE WITH MODULAR HEADS	
C150, VM350/500/900, TM250/450, G160/280/510	

SPECIFICATIONS ARE SUBJECT TO CHANGE WITHOUT NOTICE.



**National Head Office**  
 156 Swann Drive  
 Derrimut VIC 3030  
 Tel: +61 3 8369 4600  
 Fax: +61 3 8369 4699  
[www.comcater.com.au](http://www.comcater.com.au)

**Melbourne**  
 96-100 Tope Street  
 South Melbourne VIC 3205  
 Tel: +61 3 8369 4600  
 Fax: +61 3 8699 1299

**Sydney**  
 20/4 Avenue of the Americas  
 Newington, NSW 2127  
 Tel: +61 2 9748 3000  
 Fax: +61 2 9648 4762

**Brisbane**  
 1/62 Borthwick Avenue  
 Murarrie QLD 4172  
 Tel: +61 7 3399 3122  
 Fax: +61 7 3399 5311

**Perth**  
 Unit 16, 7 Abrams Street  
 Balcatta, WA 6021  
 Tel: +61 8 6217 0700  
 Fax: +61 8 6217 0799