



Goldstein

BPE135 BRATT PAN



BPE135 standard features and benefits

- Nominal capacity of 135 litre stainless steel pan
- Smooth stainless steel exterior
- Nine powerful heating elements located in the base of the pan, together with 10 mm thick Duplex seamless stainless steel base provides improved heat retention, even heat and ease of cleaning
- Ergonomically designed counter balanced, screwless double skin lid with heavy duty lifting mechanism
- Thermostatic temperature control for precise pan temperature control
- Pan design with a rounded corners and no edges
- Wide opening for unloading and easy cleaning
- Pouring spout
- Heavy duty electronic tilt mechanism
- ¼ turn tap and fixed spout on top
- All components easily serviceable from the front
- All new sleek design

Standard accessories

- 50-300 °C thermostatic heating elements control
- Adjustable legs 140-170 mm

Optional accessories part codes

- C2 100 mm castors set of 2
- C4 100 mm castors set of 4,
 2 with brakes
- CHAIN for use with castors



Please note, due to ongoing product development and improvement, we reserve the right to change product design and specification at any time without notice.



1800 013 123 | +61 2 9604 7333
sales@middleby.com.au
middleby.com.au

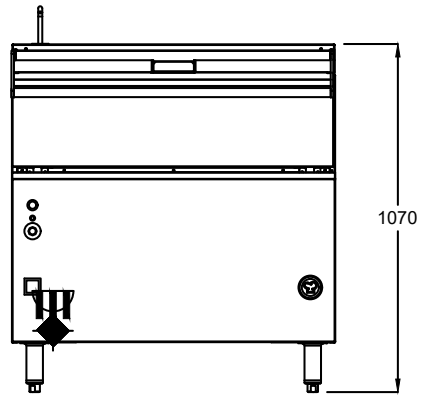
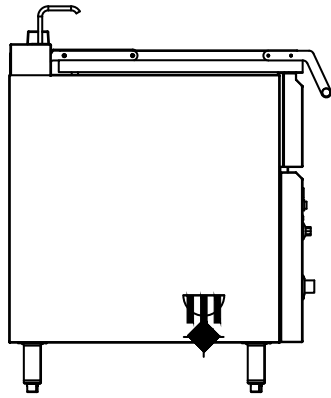
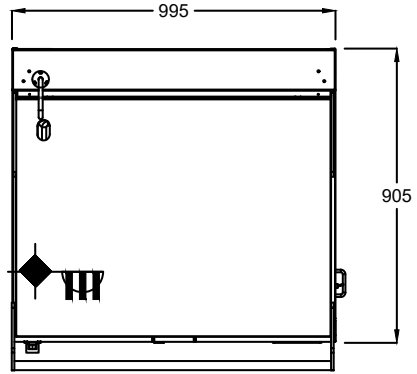
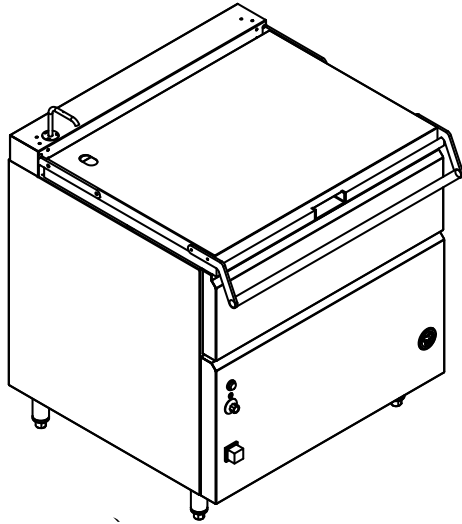
VIC - TAS - 47 Stubbs Street, Kensington VIC 3031
QLD - U12, 210 Queensport Rd Nth, Murarrie QLD 4172
WA - U2, 9 Meares Way, Canning Vale WA 6155

**HEAD OFFICE
AND MANUFACTURING PLANT**
211-217 Woodpark Road, Smithfield NSW 2164

v1_2024



BPE135 BRATT PAN



 415/240V N+E 50Hz

 1/2" Quick Connect Water Inlet

BPE135 SPECIFICATIONS

Dimensions (WxDxH)	995 x 905 x 1070 mm
Tank size (WxDxH)	895 x 670 x 310 mm
Nominal capacity	135 L

Electrical connection	415/240V N+E 50Hz
Rating	18.2 kW
Water connection	1/2" Quick Connect Water Inlet

Please note, due to ongoing product development and improvement, we reserve the right to change product design and specification at any time without notice.



1800 013 123 | +61 2 9604 7333
sales@middleby.com.au
middleby.com.au

VIC - TAS - 47 Stubbs Street, Kensington VIC 3031
QLD - U12, 210 Queensport Rd Nth, Murarrie QLD 4172
WA - U2, 9 Meares Way, Canning Vale WA 6155

**HEAD OFFICE
AND MANUFACTURING PLANT**
211-217 Woodpark Road, Smithfield NSW 2164

v1_2024