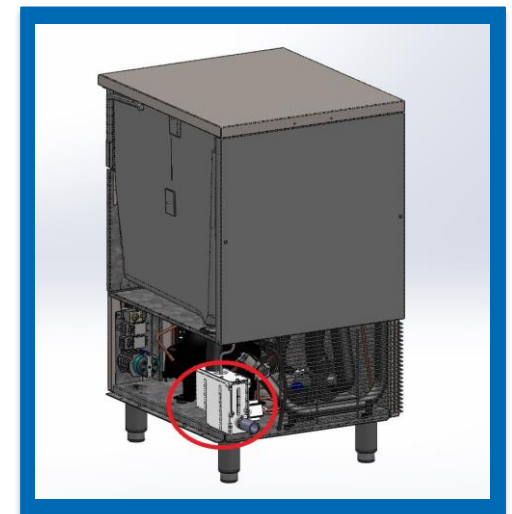
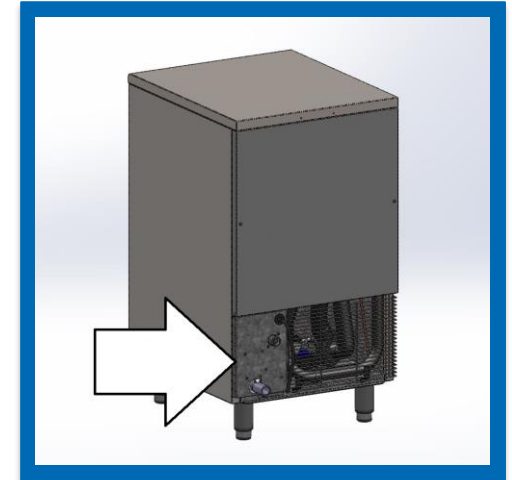


Drain Pump (DP)

The DP is located inside the machine in the drain area without increasing dimensions or changing the electrical and hydraulic connections that remain standard.

The DP is supplied already mounted on the machine and can not be ordered as an accessory for any post installations. It will only be available on air-condensed models and it will also work with a power cut off, provided it is connected to the mains power supply, which will allow the container to be emptied out of the ice melting water.

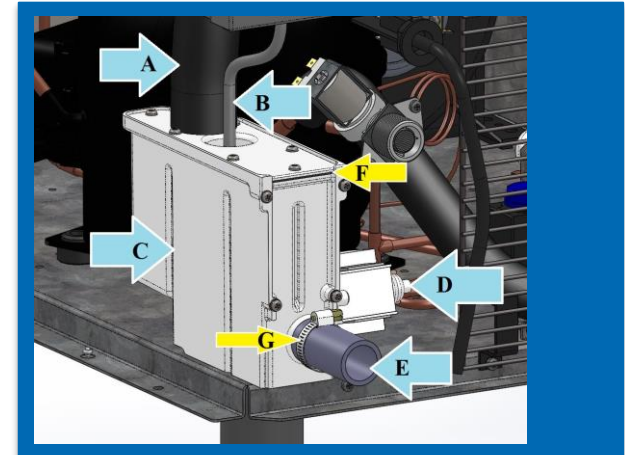
In case of malfunction or breakage of the component, a seal will prevent the spillage of water.



Drain Pump (DP)

How is it done?

- A Bin Drain
- B Pressure switch that manages DP action
- C Bin
- D Pump
- E Drain
- F Gasket
- G Hose Clamp



How does it work?

1. Water IN
2. Maximum water level
3. Pressure switch that manages DP action
4. Pump impeller pushing the water out
5. Non return valve
6. Drain

