

# REV

## ELECTRIC DIRECT STEAM COMBI OVEN

### REV 051 M



5 x 1/1 GN

#### COOKING AND OPERATING MODES

- Convection 70 - 300°C
- Convection with humidifier
- Steam 70 - 100°C
- Combi convection/steam 70 - 300°C
- Timed
- Continuous

#### CONTROL FUNCTIONS

- Electromechanical with manual control
- Selector for convection, steam, combi (pre-set value) or open door cooling functioning
- Selector temperature adjustable from 70 - 300°C
- Selector cooking time programmable up to 120 minutes, with warning buzzer at end of cooking time
- Autoreverse (automatic reversal of fan rotation) for a perfect even cooking result
- Standard manual humidifier
- Manual cavity vent
- Cavity lights
- IPX3 water protection
- Connection for energy saving system SN (optional)

#### STANDARD EQUIPMENT

- Side runners

#### OPTIONAL - TO BE REQUESTED WHEN ORDERING OVEN

- SN - Extra charge for energy saving system connection
- RPS - Right hinged door

#### CONSTRUCTION DETAILS

- Stainless steel 18/10 AISI 304 cooking compartment with long radius rounded corners for a perfect cleaning
- Cooking compartment 25 mm thermic insulation
- Thermic brake between cooking compartment and the oven front panel
- Double glazed door with large air interspace and inner heat reflecting type of glass for a perfect heat insulation and better efficiency
- Hinged inner glass for perfect cleaning
- Double opening door handle
- Push-in type oven front panel seal made with heat and age resistant silicon rubber



- Built-in door drip tray collecting the condensate into the oven drip tray
- Opening fan protection cover for a proper cleaning of fan wheel

#### ELECTRIC HEATING SYSTEM

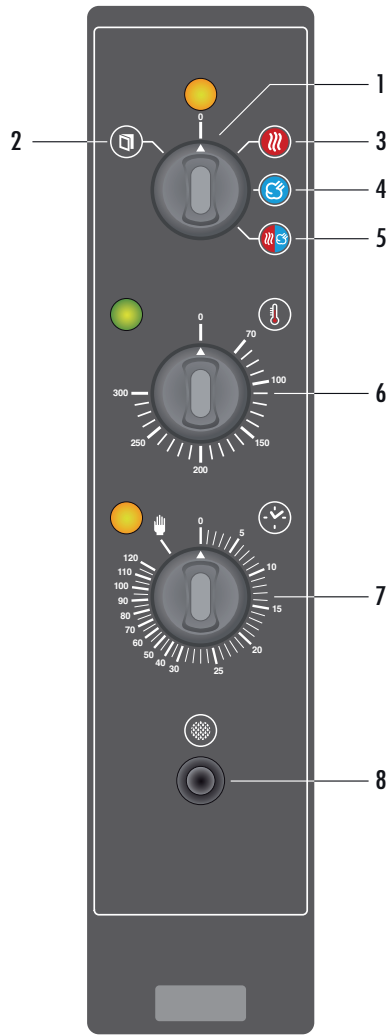
- Cooking compartment heating elements of armoured INCOLOY 800 type

#### SAFETY FEATURES

- Cooking compartment safety thermostat
- Cooking compartment safety device for pressure built-up and depression
- Fan motor thermic protection
- Mechanical door switch

## ACCESSORIES

- **LD 25** - Hand shower with stainless steel hose, fittings and connections - 2,5 mt.
- **RKC V51** - Extraction hood with air-cooled condenser (830 x 930 x 300 h - AC 230 V / 0,25 kW)
- **RKA V51** - Extraction hood without air-cooled condenser - Duct to the outside is required (830 x 930 x 300 h - AC 230 V / 0,25 kW)
- **RNR 051** - Installation frame for hood (230 h)
- **RFX 051** - Fat filter
- **RSR 071** - Stainless steel floor stand (830 x 585 x 850 h)
- **RSP 071** - Stainless steel floor stand with side runners (830 x 585 x 850 h - 8 x 1/1 GN)
- **RAC 071** - Stainless steel holding cabinet with electromechanical controls and side runners (830 x 585 x 850 h - 8 x 1/1 GN - AC 230 V / 2,6 kW)
- **RKD 071** - Shelf for cleanser tank, for supports mod. RSR and RSP. - Capacity 2 tanks of 10 l.
- **CD 002** - Stainless steel trolley to hold complete washing system - Capacity 2 tanks of 10 l.
- Two step locking mechanism for safety
- Special and marine voltages
  
- **DL010** - *Combiclean - Alkaline cleanser (tank 10 l.)*



- 1 - Main switch and knob for setting cooking mode
- 2 - Rapid cooling with open door
- 3 - Convection mode
- 4 - Steam mode
- 5 - Combi mode
- 6 - Knob for setting cavity temperature
- 7 - Cooking timer knob
- 8 - Manual humidifier key

## TECHNICAL DATA

## REV 051 M

External dimensions	mm	830 x 640 x 595 h
Dimensions with packing	mm	920 x 740 x 775 h
Weight - Gross / Net	Kg	69 / 59
Total electric power	kW	7,25
Chamber heating output	kW	7
Fan power	kW	0,2
Power supply voltage	V	3N AC 400 V - 50 Hz

## CAPACITY (GN)

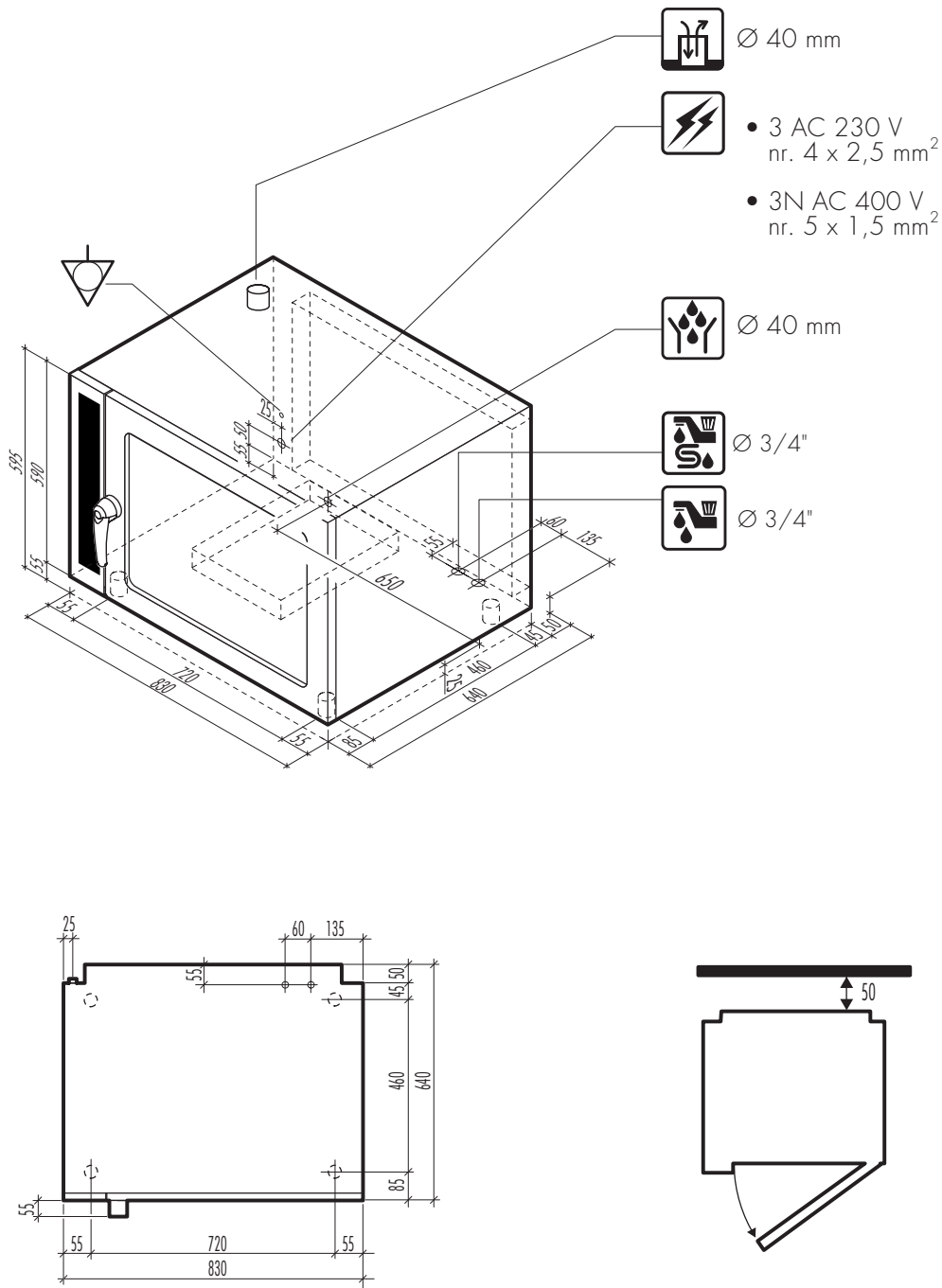
5 x 1/1 GN

## Distance between layers (mm)

70 mm

# REV 051 M

I dati riportati sul presente documento sono da ritenersi non vincolanti. L'azienda si riserva di apportare modifiche tecniche in qualsiasi momento. The specifications shown in this document are to be considered not binding. The company reserves the right to make technical changes at any moment. Die auf dieser Unterlage angegebenen technischen Daten sind als unverbindlich anzusehen. Die Firma behält sich das Recht vor zu jeder Zeit technische Änderungen vorzunehmen. Les données techniques sur ce document ne doivent pas être considérées contraignantes. La société se réserve le droit d'apporter des modifications techniques à tout moment. Los datos técnicos indicados en el presente catálogo no son vinculantes. La empresa se reserva el derecho de efectuar modificaciones sin previo aviso.



CE IPX 3

- Electric power supply cable inlet
- Gas inlet and type of thread
- Flue pipe

- Boiler descaling cap
- Steam vent and chamber pressure drop safety device
- Oven steam vent

- Air extraction
- Normal water inlet
- Softened water inlet

- Liquid outlet
- Steam trap