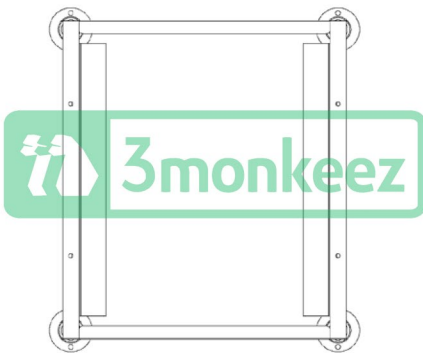


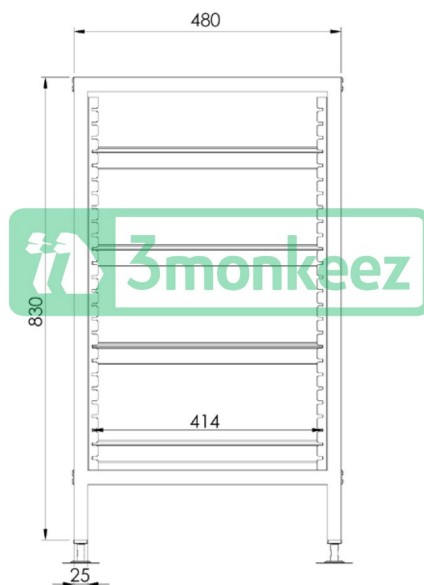
TOP



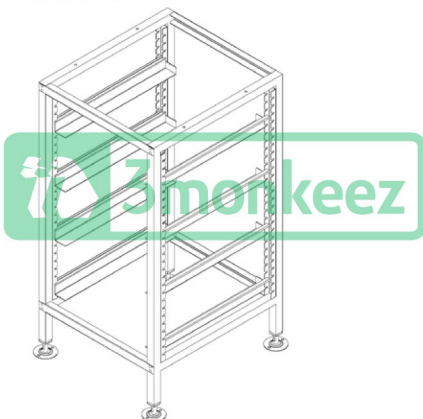
FRONT



SIDE



BRK-C



BRK-1

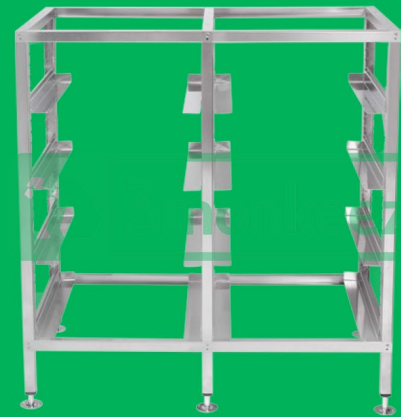
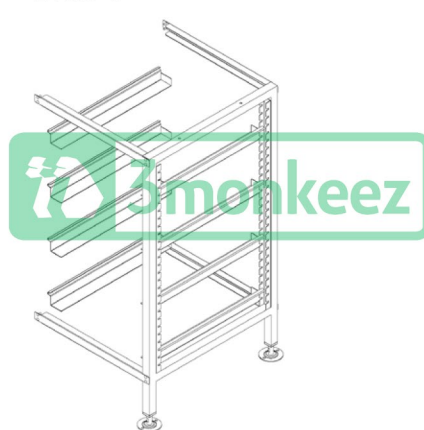


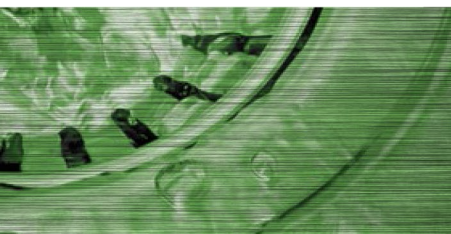
Photo Shows BRK-C with BRK-1

Product Code:
BRK-C (complete bay)
BRK-1 (add on bay)

Economical and easy to install prefabricated storage solution. Easily expandable and adjustable, it comes flat packed for easy transportation.

Features and Benefits:

- 4 pairs of adjustable stainless steel tray slides to accommodate 4 tiers or 3 tiers and a drip tray
- Notched channel welded to frame
- Optional stainless steel drip tray
- Stainless steel fixings with flat bar supports
- Complete with leg inserts and disc feet
- Constructed from 25mm 304 grade stainless steel square tubes
- Can be used as a bench support
- In stock and available for immediate delivery



Unit 6, 24 Wellington Street, Riverstone NSW 2765
 Tel: 02 9627 6111 Fax: 02 9627 3111
 sales@3monkeez.com.au
 www.3monkeez.com.au

Details accurate at time of print. It is possible that some details may change without notice. Whilst all care has been taken in compiling this information, designs & dimensions shown are indicative only and should not be relied upon without prior approval.

