

DV 270.2

Dynamic power from
MEIKO's Premium Class



The DV 270.2 universal dishwasher



DV 270.2 universal dishwasher: A supreme “maid of all work” with real cleaning power

It has everything that makes it a true maid of all work. Dynamic high-performance pumps, oscillating wash arms with uncompromising efficiency, rotating final rinse systems with additional lateral rinse arms, well-designed robust construction and sophisticated operating technology.

DV 270.2

Dynamic power

Passing height

H 650 mm

Rack dimensions

1310 x 690 mm

Rack capacity

up to 30 racks/hour

MEIKO Technology:



The machine's enormous 650 mm passing height allows everything to be accommodated under its hood – which is impossible with your normal dishwashers. The time which your expensive staff spends cleaning large utensils can now be used more productively.

Our DV 270.2 works faster, more systematically and almost effortlessly. It is designed from top to toe for its special cleaning tasks. This is because we have taken exceptional steps to ensure that it lives up to its promises. And it promises a lot, e.g. washing pots of all types and sizes, kitchen equipment, gastro-norm containers, baking trays and other utensils which are difficult to clean. Also transportation containers from the catering industry, airline containers, kitchen equipment of all kinds in canteens, dining halls, hospitals and clinics.

The MEIKO automatic hood: New in the Premium Class (optional)

Fully automatic programme sequence by the push of a button: Dishwashing comfort at the highest stage
Automatic closing and opening of the hood which offers best comfort and ergonomics - you never want to work without this!

- Separate button for opening and closing the hood
- Higher capacity utilisation
- No manual hood actuation necessary
- Continuous loading
- Outstanding ergonomics



The sliding tables ensure that there is no dead time. While one basket is being washed in the machine, a basket which has just been washed can be unloaded on the exit table or a new basket can be loaded easily and prepared for washing.



DV 270.2 with the Point2 AirConcept system – clean air and superb energy efficiency

The MEIKO *Point2 AirConcept* system (optional) is an innovative air management solution that provides the very best in exhaust heat recovery. Instead of being released into the room, the hot steam is fed back into the machine as part of the heat recovery process.



Maximum energy efficiency

Built-in heat recovery system

Better indoor climate

Reduced emissions

Integrated self-cleaning function

Uncompromising standards of hygiene

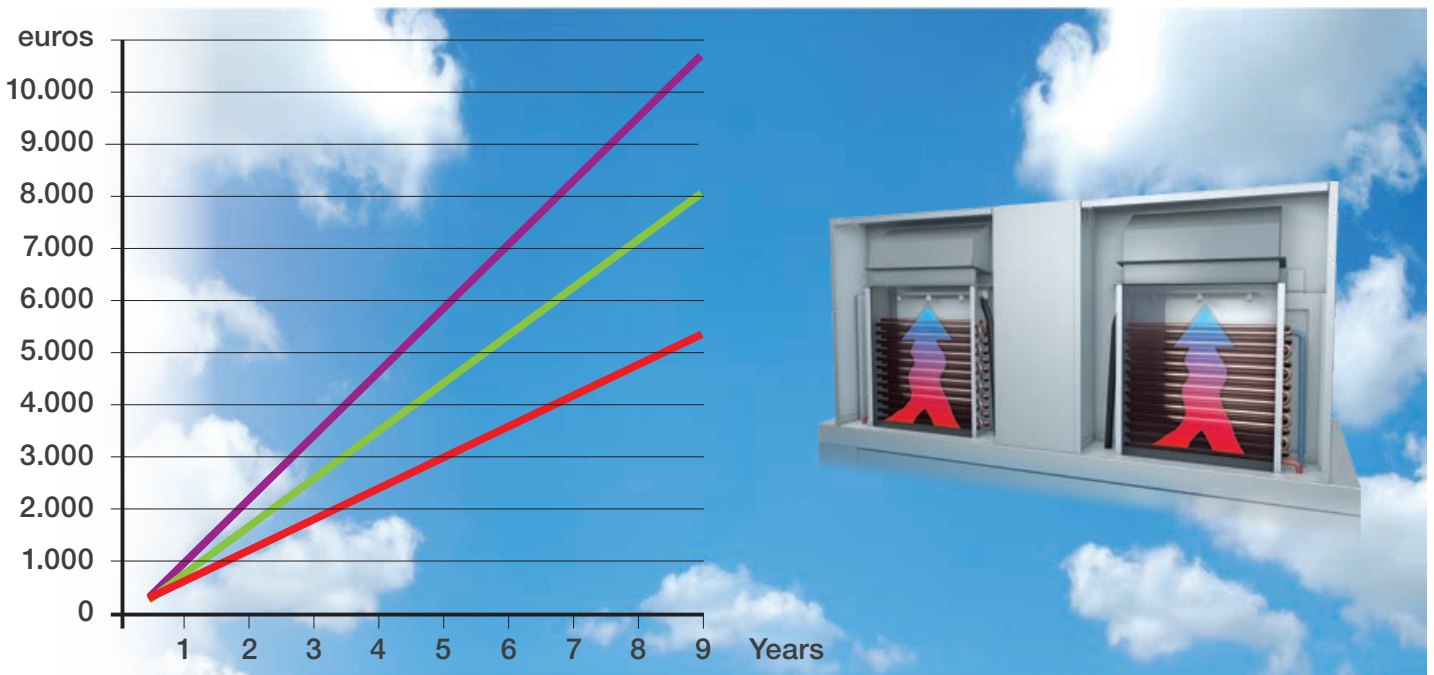
Fully DIN certified

Maintains programme timings and temperature settings

Helps washware to dry quicker

This tangibly reduces emission rates and improves the indoor climate, making the wash-up area a far more pleasant environment to work in. The hot air emitted by the machine is fed back into the water circuit as a source of energy. This reduces the connected load of the machine by up to 13% and achieves significant energy and cost savings.

Potential reduction in running costs based on a *DV 270.2* with *MEIKO Point2 AirConcept*



(based on 330 days of use a year)

- 100 baskets/day
- 75 baskets/day
- 50 baskets/day

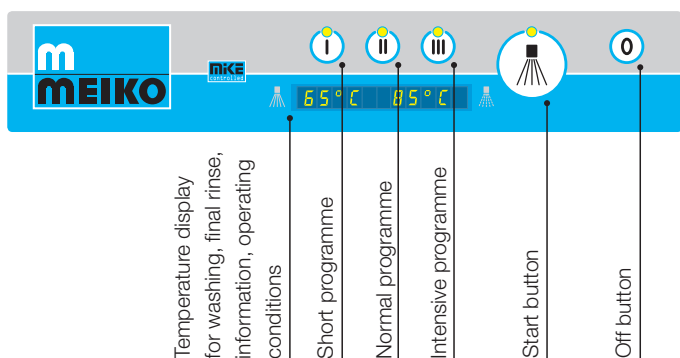
Technical data	DV 270.2
Water connection to the machine	cold water
Self-cleaning (without additional water consumption)	built-in cleaning nozzles
Steam extraction (extended cycle time)	s 100
Reduction in heat emitted into the room	kW 3,7
Exhaust air temperature (at a water inlet temperature of 12 °C)	°C approx. 25
Reduction of steam released into the room	80 %
Reduction in connected load	kW 3,0

MIKE 2 and infrared: Technology in a first-class format

MIKE 2. Ease of operation which points towards the future: electronic controls



MEIKO's DV 270.2 universal washing machine is equipped with fully electronic MIKE 2 controls as standard. Each of the three programmes can be easily selected by lightly touching the appropriate key. The progress of the programme and any messages are displayed in digital format. Easily understandable symbols and clearly indicated washing and final rinse temperatures make operation and control of this machine child's play.



MIKE 2 – the brand-new electronic system with integrated infrared interface for the Point2 generation.

Today's most innovative control technology for dishwashers. And, in combination with the intelligent M-Commander W, data can be very simply read, defined, amended, transferred via a PC online to the factory or the Customer Service Representative for immediate processing. This provides the customer with decided time, work and cost advantages when it comes to maintenance.

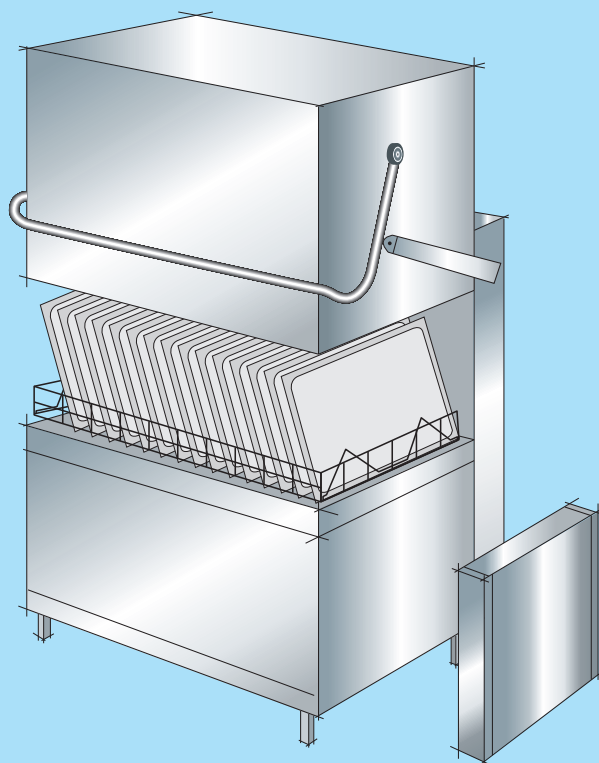


Reverse osmosis system:
Brilliant water treatment performance



Modular, unique, practical – no ifs, ands or buts. Whether located behind, below, or in a separate area, nothing gets in the way of sparkling cleaning results. The reverse osmosis system may be adapted to any conditions.

With its new design and look, this reverse osmosis system with a 98% demineralisation rate offers optimum performance with minimum space requirements. Clean, sparkling, hygienically flawless dishes for many years.

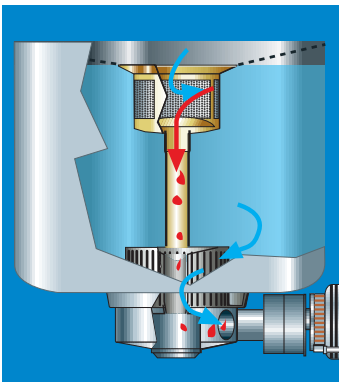


GiO MODULE (option)
can be placed nearby
or in another room e.g.

Unique advantages: Included as standard

Some of the superb advantages provided by the *Point2* generation

Stainless steel washing and rinsing system operates from above and below

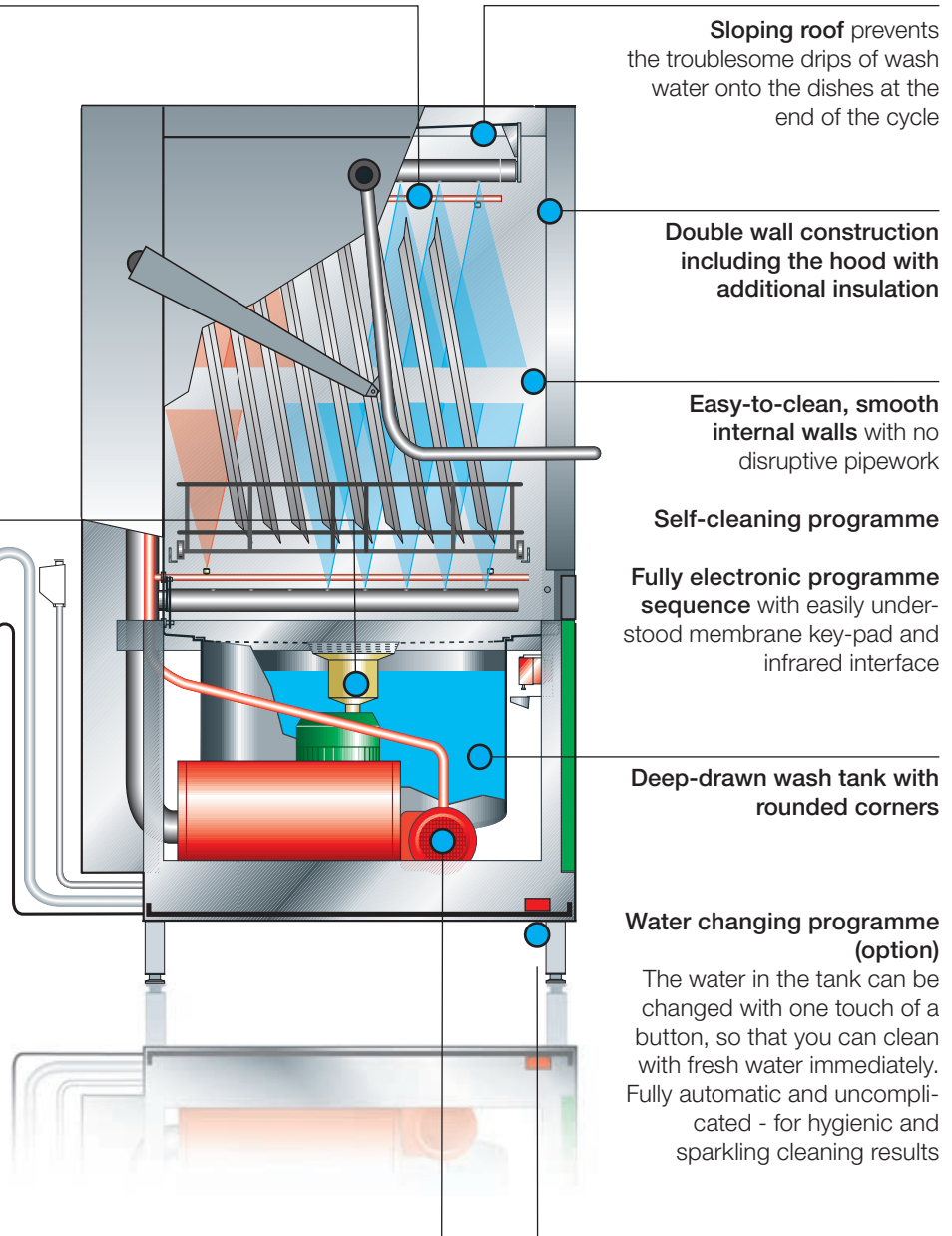


AktivPlus wash water filter system
Outstanding cleaning effect provided by multiple filtration of the tank water

Arrives complete with a connection kit (for water, waste water and electricity) which ensures rapid and economic commissioning. Built-in drain pump allows discharge into drain pipes up to 700 mm above floor level



- 150 mm ground clearance
- Service: ideal accessibility, simple installation, excellent reliability (IP X5 protection type), rapid and reliable MEIKO service facilities plus customer service network
- Tested quality with a range of test certificates



Sloping roof prevents the troublesome drips of wash water onto the dishes at the end of the cycle

Double wall construction including the hood with additional insulation

Easy-to-clean, smooth internal walls with no disruptive pipework

Self-cleaning programme

Fully electronic programme sequence with easily understood membrane key-pad and infrared interface

Deep-drawn wash tank with rounded corners

Water changing programme (option)

The water in the tank can be changed with one touch of a button, so that you can clean with fresh water immediately. Fully automatic and uncomplicated - for hygienic and sparkling cleaning results

Booster pump to ensure a final rinse result independent of mains water pressure – constant final rinse temperature and final rinse agent quantity

Aqua-stop system with floor pan
High operating security thanks to automatic checks for leaking water. All installed components well protected

Functional details – Made by professionals for professionals



Simple-to-use, all-round handle

Novel hood guidance system for ergonomic operation – also when the hood is open.



Tank cover screen

Targeted diversion of dirt particles into the *AktivPlus* fine filter.



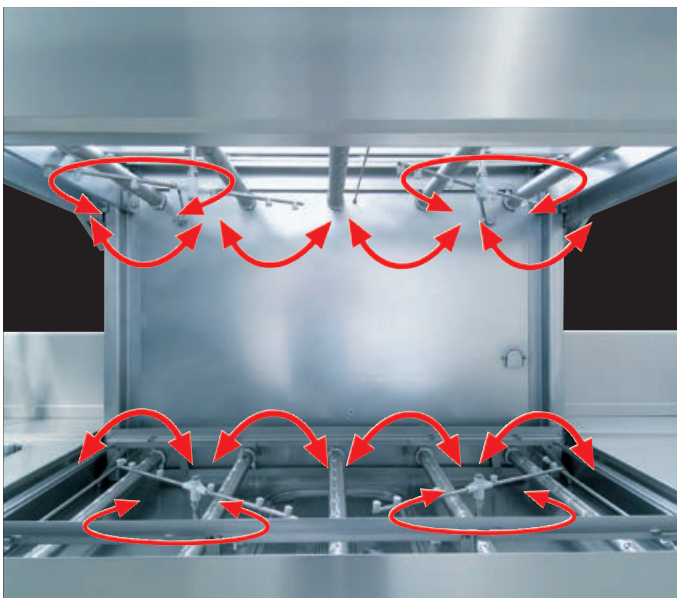
A special refinement: Table equipment with integrated prewash zone.

Via knee switch a hydrolift is moved out which brings a special spray nozzle directly to the dishes and removes under high pressure rough waste particles perfectly.



AktivPlus wash water filtration system

Multiple filtration of wash water and dependable extraction of dirt particles guarantee an outstanding cleaning effect. Scoop effect for easy removal of coarse dirt particles.



Oscillating wash arm
made from stainless steel,
spraying every single part of
the wash chamber – includ-
ing all the corners.

**Rotating rinse system and
lateral rinse arms**
made from stainless steel
provide first class rinse ef-
fect.



**Ascending pipes outside
the wash chamber**
made from robust stainless
steel.

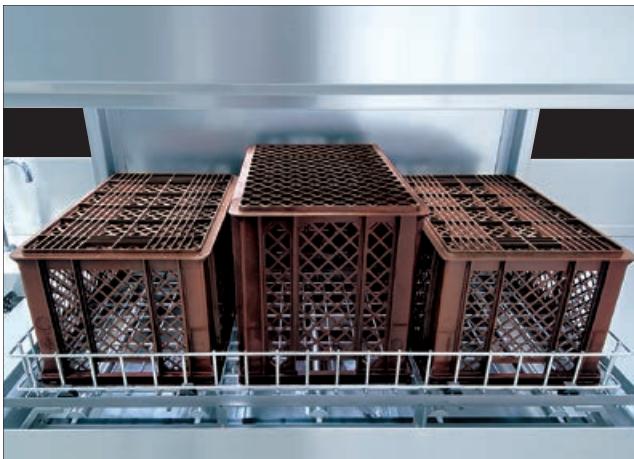
Hard to beat: Performance and versatility



The standard basket for dishes, containers, kitchen equipment, baskets etc. And with inserts to support trays, baking trays and much more, of course.

The carrier is made from solid 18/10 stainless steel; it is 1310 mm long and 690 mm wide, thus providing plenty of space for anything you might want to wash.

We have even equipped it with rollers so that even a fully loaded basket can be easily moved into or out of the machine on the conveyor tables.



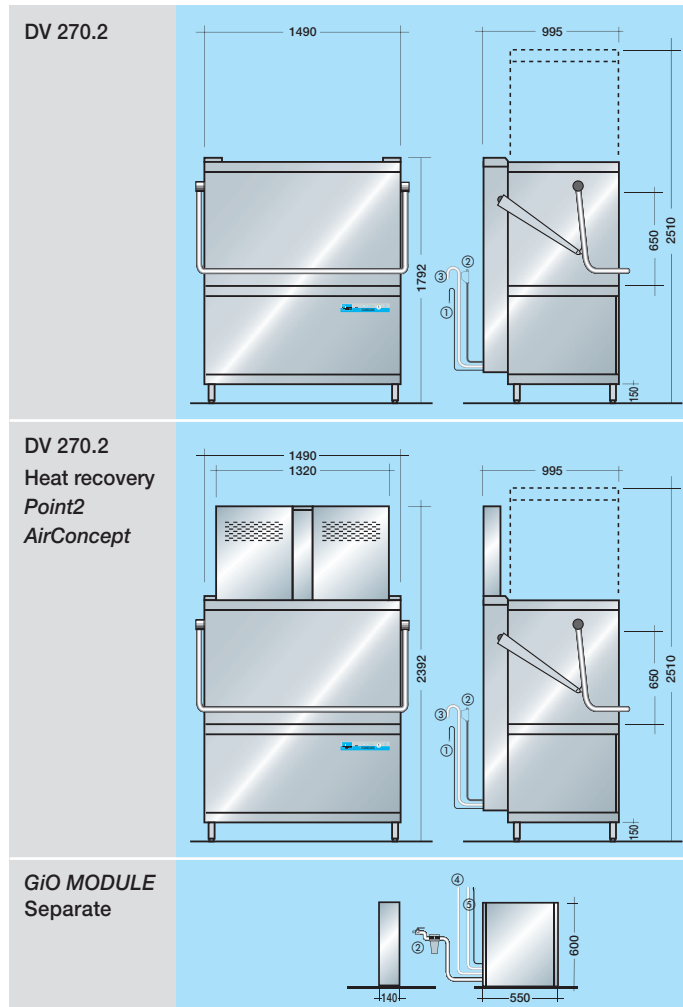
Insert BV 60 x 39
(butcheries) (608 x 390 mm)
made in stainless steel



Insert BV 57 x 56
(570 x 560 mm) made in
stainless steel for 2-8 GN-
containers 1/2-2/1 (with
a max. depth of 65, 100,
150 mm)



Universal insert UV 57 x 39
(570 x 390 mm) made in
stainless steel



		DV 270.2
Basket dimensions	mm	1310 x 690
Entry height	mm	650
Theoretical baskets capacity	per hour*	30 / 15 / 7
Pump motor	kW	2 x 2.2
Tank capacity	l	100
Water consumption for final rinse	l	9.0
Tank heating	kW	9.0
Built-in boiler electricity consumption at		
45 °C incoming water temperature	kW	12.0
10 °C incoming water temperature	kW	18.0
10 °C incoming water temperature with <i>Point2 AirConcept</i>	kW	15.0
Total connected load at		
45 °C incoming water temperature	kW	16.8
10 °C incoming water temperature	kW	22.8
10 °C incoming water temperature with <i>Point2 AirConcept</i>	kW	19.9

* If connected to a cold water supply and / or baskets are changed at short intervals, the programme cycles necessary to achieve hygienic rinse temperatures may increase. The programme cycles increase within the water changing programme.

Electrical installation:

Electrical connection: ① 3-phase current 3 NPE, 400 V, 50 Hz.
The wiring complies with VDE requirements.

Water installation:

The machines may be connected directly to the mains supply without intermediate security fittings ②. The flow pressure should be between 0.6 bar, and 5 bar. The installation requirements of EN 1717 must be observed. Drain 3/4". Wall-mounted drain should have a maximum height of 700 mm ③. Length of connection cables from/to the appliance approx. 1.8 m.

GiO MODULE:

Cold water connection (max. 35 °C), minimum flow pressure 1 bar, maximum 5 bar. Conductivity of raw water <1000 µS/cm. Total water hardness max. 28 °dH (German hardness).

Including connection kit: check valve, pressure regulating valve, filter 10 µm including activated carbon, safety equipment "HD" (backflow preventer and pipe aerator). Installation requirements of EN 1717 must be observed. Connection length approx. 3 m. Connection kit of the appliance with reinforced hose (without AquaStop). Concentrate drain 1/2" ④, length approx. 2 m. Permeate and electric cables between machine and separate *GiO MODULE* approx. 3 m ⑤. When using the *GiO MODULE* a backflow preventer must be used in accordance with EN 1717 to ensure DIN-compliant operation (optional).
(1 bar = 100 kPa) (1 °dH approx. 0.18 mmol/l CaCO₃)

Programme cycles you can select:

DV 270.2:

Short programme = 120 seconds
Normal programme = 240 seconds
Intensive programme = 480 seconds



Meets the hygiene requirements of DIN SPEC 10534.

