

## Gas Barbecue 900mm

CB9



### OVERALL CONSTRUCTION

- Six 135mm wide x 550mm long reversible cast iron top grates
- Cast iron burner radiants and aluminised steel baffles
- Aluminised steel burners
- Stainless steel front, sides and splashback
- Stainless steel cabinet interior base
- Stainless steel grease tray
- 50mm dia. stainless steel adjustable legs to front and two rollers at rear

### CONTROLS

- Large easy use control knobs
- Triple controls with variable high to low burner setting
- Pilot, flame failure and piezo ignition to each burner

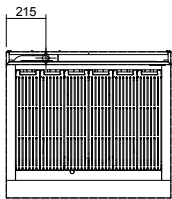
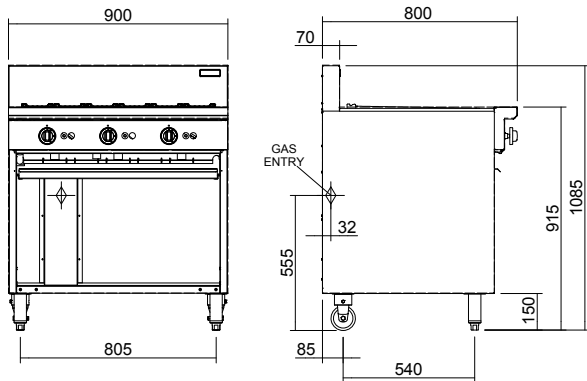
### CLEANING AND SERVICING

- Lift out radiants, burners and grease tray baffles
- Lift out stainless steel top grate and radiant supports
- Easy clean stainless steel exterior
- Access to all parts from front of unit

- 900mm wide
- Stainless steel finish
- Stainless steel grease tray
- Reversible top grates
- Inclined position to reduce flare and enhance grease run
- 3 x 33MJ/hr, 9kW aluminised burners
- Flame failure protection with continuous pilot burner and piezo ignition
- Lift out grates, radiants and baffles for cleaning
- Open cabinet base for extra storage
- Adjustable front feet and rear rollers



# Gas Barbecue 900mm



CB9

## SPECIFICATIONS

### Burners

3 x 33MJ/hr, 9kW U-burners

### Gas power (gross)

99MJ/hr, 27kW

### Cooking surface area

800mm x 540mm, 4320cm<sup>2</sup>

### Gas connection

R 3/4 (BSP) male  
215mm from LH side, 32mm from rear, and 555mm from floor  
All units supplied with Natural and LP gas regulator

### Dimensions

Width 900mm  
Depth 800mm  
Height 915mm  
Incl. splashback 1085mm

### Nett weight

135kg

### Packing data

1.02m<sup>3</sup>, 200kg  
Width 940mm  
Depth 865mm  
Height 1255mm

## Gas types

Available in Natural gas and LP gas,  
please specify when ordering  
Other gas types on request



[moffat.com.au](http://moffat.com.au)

[moffat.co.nz](http://moffat.co.nz)

Australia  
[moffat.com.au](http://moffat.com.au)

### Moffat Pty Limited

Victoria/Tasmania  
740 Springvale Road  
Mulgrave, Victoria 3170  
Telephone +613-9518 3888  
Facsimile +613-9518 3833  
[vsales@moffat.com.au](mailto:vsales@moffat.com.au)

New South Wales  
Telephone +612-8833 4111  
[nswsales@moffat.com.au](mailto:nswsales@moffat.com.au)

South Australia  
Telephone +613-9518 3888  
[vsales@moffat.com.au](mailto:vsales@moffat.com.au)

Queensland  
Telephone +617-3630 8600  
[qldsals@moffat.com.au](mailto:qldsals@moffat.com.au)

Western Australia  
Telephone +61 8-9413 2400  
[walsales@moffat.com.au](mailto:walsales@moffat.com.au)

### New Zealand

[moffat.co.nz](http://moffat.co.nz)

### Moffat Limited

Rolleston  
45 Illinois Drive  
Izone Business Hub  
Rolleston 7675  
Telephone +64 3-983 6600  
Facsimile +64 3-983 6660  
[sales@moffat.co.nz](mailto:sales@moffat.co.nz)

Auckland  
Telephone +64 9-574 3150  
[sales@moffat.co.nz](mailto:sales@moffat.co.nz)



ISO9001  
Quality  
Management  
Standard



Cert. No. 6878G

In line with policy to continually develop and improve its products, Moffat Limited reserves the right to change specifications and design without notice.

© Copyright Moffat Ltd  
AN.C.SS.01.17

an Ali Group Company



The Spirit of Excellence