

Cake Display Refrigerators

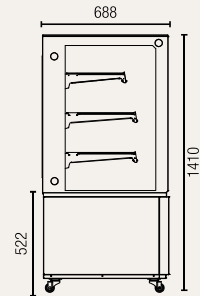
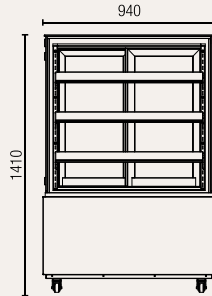
Features:

- Digital temperature display and electronic controller
- Dynamic fan forced cooling system with auto defrosting
- Double layer glass for maximum insulation
- Dark grey stainless steel finish
- Shelf material: frosted glass

- Sliding door for easy access
- LED internal light
- Refrigerant: R290
- Frequency/voltage: 50Hz/220-240 V
- Ambient temperatures from +16°C to +30°C



CDS309



Gross volume: 390 L

Exterior dimensions in mm: 940w x 688d x 1410h

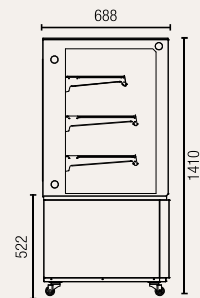
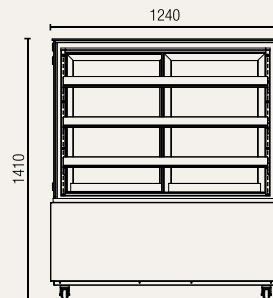
Number of adjustable shelves: 3

Temperature set range: 0°C to +12°C

Gross/net weight: 190/162 kg

Energy consumption in 24h: 4.42 kWh

CDS312



Gross volume: 530 L

Exterior dimensions in mm: 1240w x 688d x 1410h

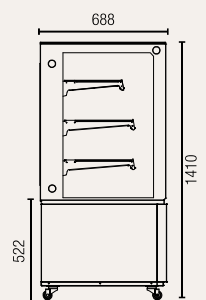
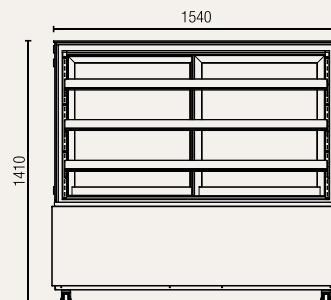
Number of adjustable shelves: 3

Temperature set range: 0°C to +12°C

Gross/net weight: 229/195 kg

Energy consumption in 24h: 5.96 kWh

CDS315



Gross volume: 670 L

Exterior dimensions in mm: 1540w x 688d x 1410h

Number of adjustable shelves: 3

Temperature set range: 0°C to +12°C

Gross/net weight: 252/229 kg

Energy consumption in 24h: 6.15 kWh