

TECHNICAL DATA SHEET FOR
Single Pan Gas Fryer 400mm
CF2



CF2

- 400mm wide single pan fryer
 - Stainless steel finish
 - 90MJ multi-jet target burner
 - 25kg / hr production rate
 - Stainless steel open pan (no tubes)
 - 30mm drain valve
 - 18 litre oil capacity
 - Mechanical thermostat
 - Manual pilot ignition
 - Baskets and lid included
- Adjustable front feet and rear rollers

Overall Construction

Stainless steel open tank with cool zone
Stainless steel exterior front and sides
Double skin door with stainless steel outer
50mm dia. stainless steel adjustable legs to front and two rollers at rear
Two nickel plated wire baskets
Stainless steel lid supplied standard

Controls

100-190°C mechanical thermostat
Over-temperature safety cut-out
Manual ignition pilot burner with flame failure

Cleaning and Servicing

Open stainless steel pan for easy clean
Easy clean stainless steel exterior
30mm drain valve for effective draining
Lift off basket hanger
Access to all parts from front of unit

TECHNICAL DATA SHEET FOR Single Pan Gas Fryer 400mm CF2

Burners

Multi-jet target burners

Gas power

90MJ/hr, 25kW

Pan size

Oil capacity 18L (32lbs shortening)

Width 305mm

Length 380mm

Oil frying depth 95mm

Gas connection

R³/₄ (BSP) male

40mm from RH side, 24mm from rear, and 221mm from floor

All units incorporate Natural and LP gas regulator

Dimensions

Width 400mm

Depth 800mm

Height 915mm

Incl. splashback 1085mm

Packing data

0.54m³

Width 870mm

Depth 495mm

Height 1255mm

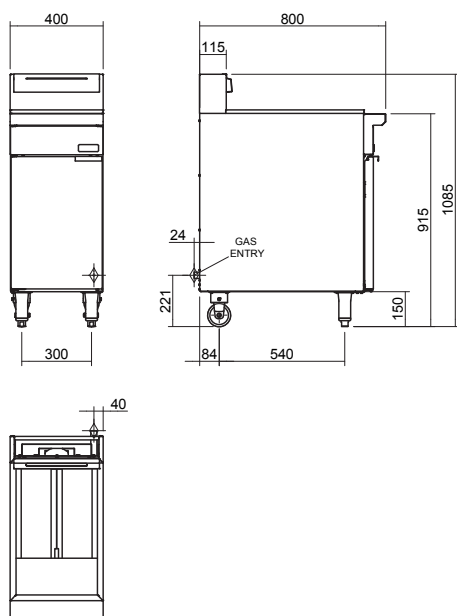
57kg nett weight

97kg packed weight

Gas types

Available in Natural gas and LP gas, please specify when ordering

Other gas types on request



MOFFAT®

Australia
www.moffat.com.au
New Zealand
www.moffat.co.nz

Australia
Moffat Pty Limited

Victoria/Tasmania
740 Springvale Road
Mulgrave, Victoria 3170
Ph 03-9518 3888
Fax 03-9518 3833
vsales@moffat.com.au
www.moffat.com.au

New South Wales
Ph 02-8833 4111
nswsales@moffat.com.au

South Australia
Ph 03-9518 3888
vsales@moffat.com.au

Queensland
Ph 07-3630 8600
qldsales@moffat.com.au

Western Australia
Ph 08-9202 6820
bgarcia@moffat.com.au

New Zealand
Moffat Limited

Christchurch
16 Osborne Street
Christchurch 8011
Ph +64 3-389 1007
Fax +64 3-389 1276
sales@moffat.co.nz

Auckland
Ph +64 9-574 3150
sales@moffat.co.nz

export@moffat.co.nz
www.moffat.co.nz



Designed and manufactured by

MOFFAT®

ISO9001

All Cobra products are designed and manufactured by Moffat using the internationally recognised ISO9001 quality management system, covering design, manufacture and final inspection, ensuring consistent high quality at all times.



Cert No. 6882

In line with policy to continually develop and improve its products, Moffat Limited reserves the right to change specifications and design without notice.