



### General Description:

The Culinaire® Bain Marie Hot Cupboard has a high powered heavy-duty Bain Marie that is designed to hold pre-heated food at the optimum temperature in Gastronorm pans up to 150mm deep.

The hot cupboard features a fan-forced heating system, which offers energy saving efficiency, faster heat-up times and even heat distribution.

#### Options:

Standard gantries are available with or without heat lamps; glass sides; roller doors; sneeze guards. Lift-up/fold-down side shelf. (Sold separately)

### Models:

#### Code: CH.CBMHx.M

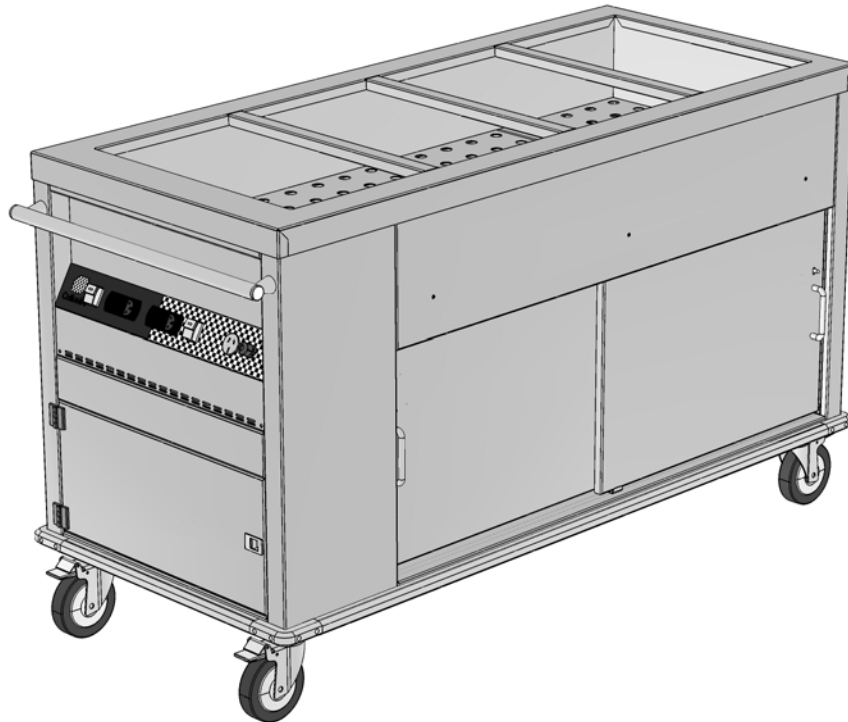
Code explanation:

<b>CH</b>	= Culinaire Heated
<b>CBMH</b>	= Culinaire Bain Marie Hot Cupboard
<b>x</b>	3 or 4 Module
<b>M</b>	= Mobile

*e.g.: for specification and ordering*

Culinaire: **CH.CBMH3.M**

Culinaire: **CH.CBMH4.M**



### Features and Benefits:

- 100% 304 grade stainless steel construction
- The wet Bain Marie accommodates 150mm deep Gastronorm pans (sold separately)
- Separately controlled fan-forced hot cupboard
- Adjustable thermostat with digital temperature display, preset to 85°C from factory, maximum 90°C
- Non-marking buffers
- Large non-marking castors
- Removable element covers
- Supplied with plug and lead with 'plug tidy'
- Easy-glide doors that do not sit in a track – eliminating dirt trap

Due to continuous product research and development, the information contained herein is subject to change without notice

## Specification:

### Construction:

- 304 grade 1.2mm stainless steel in No.4 satin finish
- Double skinned construction, air insulated on all sides to minimise heat of external panels
- Supplied with 1 chrome plated steel wire shelf per door
- Sliding, top-hung doors on roller bearing
- Heavy-duty 125mm castors with brakes

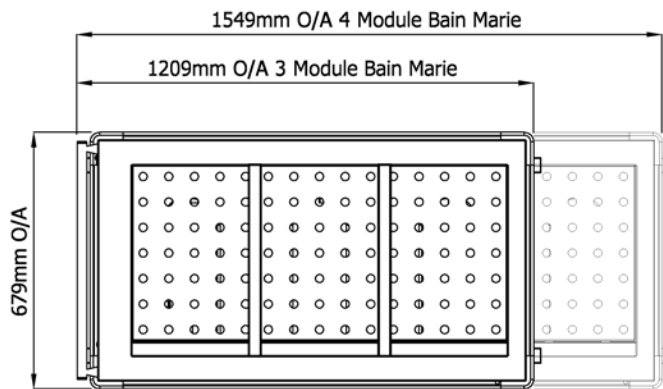
### Controls:

- On/Off switch with indicator light to Bain Marie
- On/Off switch with indicator light to Hot Cupboard
- Individual digital controllers to Bain Marie & Hot Cupboard

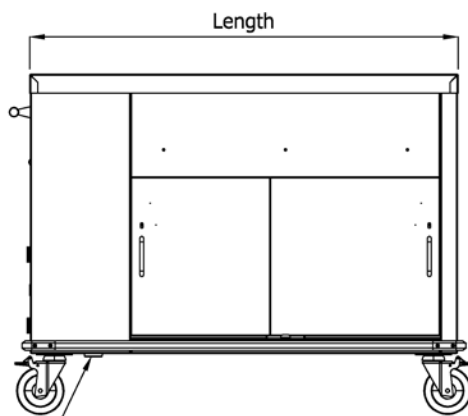
### Electrical:

- 600w (240V) elements per module
- 2250w (240V) heater fan for 3 module hot cupboard
- 2250w (240V) heater fan for 4 module hot cupboard

## Product Details:

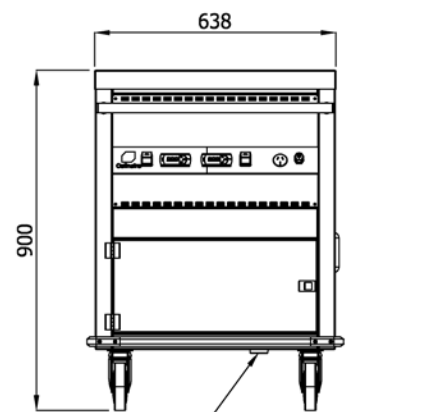


Plan View



Drainage point

Front Elevation



Drainage point

End Elevation



## Technical Data:

Model	Length	Capacity	Power	Water	Waste	Packaged size
CH.CBMH3.M	1133	3 x 1/1 GN Pans	240v 1Ø 14A 3350w (without gantry)	Manual Fill	40mm waste with 1 ½" ball valve	1410w x 880d x 1100h
CH.CBMH4.M	1473	4 x 1/1 GN Pans	240v 1Ø 19.6A 4700w (without gantry)	Manual Fill	40mm waste with 1 ½" ball valve	1750w x 880d x 1100h

Due to continuous product research and development, the information contained herein is subject to change without notice