

# Single Pan Gas Noodle Cooker 450mm

CN4



- High performance single pan noodle cooker
- Patented infra-red burner system
- Easy clean 316 grade stainless steel open pan
- 40L water capacity
- Integrated water fill and starch skimming water faucet
- Five stainless steel noodle baskets supplied
- Hinged basket drain tray
- Safety cut-out thermostat for empty pan/water boil out
- Stainless steel exterior
- Easy clean
- Easy service
- Fully modular

## OVERALL CONSTRUCTION

- Pan 1.5mm 316 stainless steel
- Bull nose welded stainless steel
- Splashback 0.9mm 304 stainless steel
- Side panels 1.2mm 304 stainless steel
- Double skin door with stainless exterior
- 25mm (1") skimming overflow and pan drain valve
- 50mm dia. stainless steel adjustable legs to front and two rollers at rear
- Five 304 stainless steel baskets
- 304 stainless steel basket support tray in pan

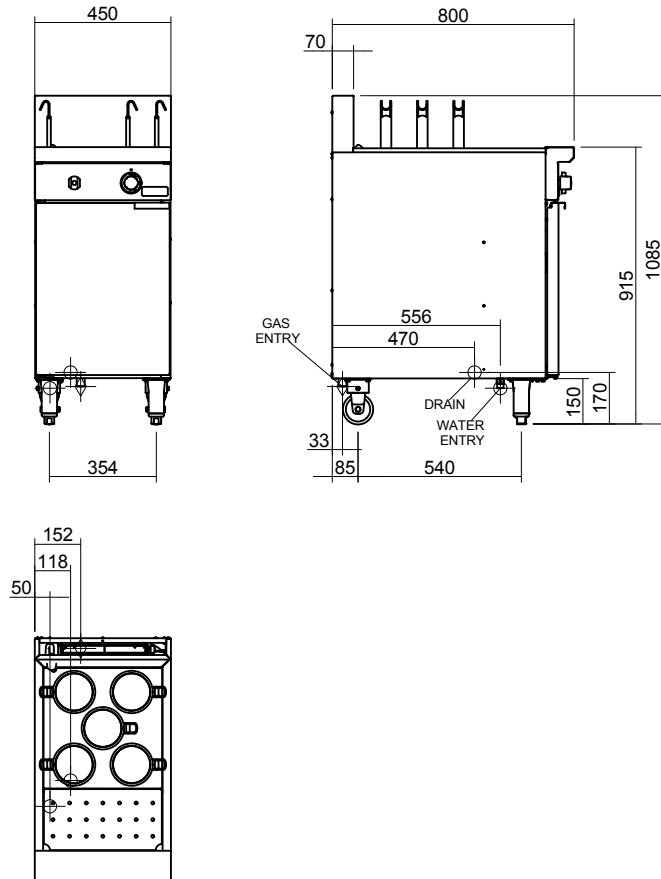
## CONTROLS

- Large easy to use knob - heat resistant reinforced
- Variable high boil to standby simmer burner control
- Fine adjustment water faucet for pan filling and water refreshing/starch skimming
- Pan protection safety cut-out thermostat
- Millivolt gas valve system (no electrical supply)
- Flame failure protection on pilot
- Piezo ignition to standing pilot burner

## CLEANING AND SERVICING

- Open stainless steel pan for easy clean
- Hinged basket drain tray
- Removable basket support tray
- 25mm (1") drain valve for effective draining
- Easy clean stainless steel exterior
- Access to all parts from front of unit

# Single Pan Gas Noodle Cooker 450mm



## SPECIFICATIONS

### Pan size

Water capacity 40L  
Width 365mm  
Length 405mm  
Basket immersion depth 130mm

### Baskets

5 stainless steel baskets  
dia 140mm x 150mm deep  
Stainless steel basket support tray

### Burners

1 x infra-red burner

### Gas Power

47MJ/hr, 13kW Natural gas  
46MJ/hr, 12.8kW LP gas

### Gas Connection

R 3/4 (BSP) male  
All units supplied with Natural and LP gas regulator

### Water Connection

Cold water connection 50mm from left hand side, 556mm from rear and 140mm from floor  
R1/2 (BSP) male

### Drain Connection

Drain must be connected to system suitable for boiling water discharge  
1" BSP Male connection 118mm from left hand side, 470mm from rear, and 170mm from floor

### Dimensions

Width 450mm  
Depth 800mm  
Height 915mm  
Incl. splashback 1085mm

### Nett weight

78kg

### Packing data

0.54m<sup>3</sup>, 120kg  
Width 870mm  
Depth 495mm  
Height 1255mm

### Gas types

Available in Natural gas and LP gas, please specify when ordering  
Other gas types on request

### Options

Side splash guards  
Joining caps



moffat.com.au  
moffat.co.nz

Australia  
moffat.com.au

### Moffat Pty Limited

Victoria/Tasmania  
740 Springvale Road  
Mulgrave, Victoria 3170  
Telephone +613-9518 3888  
Facsimile +613-9518 3833  
vsales@moffat.com.au

New South Wales  
Telephone +612-8833 4111  
nswsales@moffat.com.au

South Australia  
Telephone +613-9518 3888  
vsales@moffat.com.au

Queensland  
Telephone +617-3630 8600  
qldsales@moffat.com.au

Western Australia  
Telephone +61 8-9413 2400  
wasales@moffat.com.au

New Zealand  
moffat.co.nz

### Moffat Limited

Rolleston  
45 Illinois Drive  
Izone Business Hub  
Rolleston 7675  
Telephone +64 3-983 6600  
Facsimile +64 3-983 6660  
sales@moffat.co.nz

Auckland  
Telephone +64 9-574 3150  
sales@moffat.co.nz



ISO9001  
Quality  
Management  
Standard



Cert. No. 7027G

In line with policy to continually develop and improve its products, Moffat Limited reserves the right to change specifications and design without notice.

© Copyright Moffat Ltd  
AN.C.SS.01.17