



## PRODUCT FEATURES

- Deck forced refrigeration
- Canopy LED light
- Integral condensor
- Self evaporating
- 65mm deep full size pans supplied
- Glass supplied separately \*

## UNIT DIMENSIONS & SPECIFICATIONS

Refrigerated 4<sup>0</sup> factory set point

Model	Cabinet			bench cut out hole size	Pans	Refrigerant	Operating Current	Connection	Voltage
	Length mm	Depth mm	Height mm						
LSRF2	805	690	555	785x670	2 x 1/1 65mm Gastro Pans	134a	4.6 Amp	10amp 3 pin plug	240V

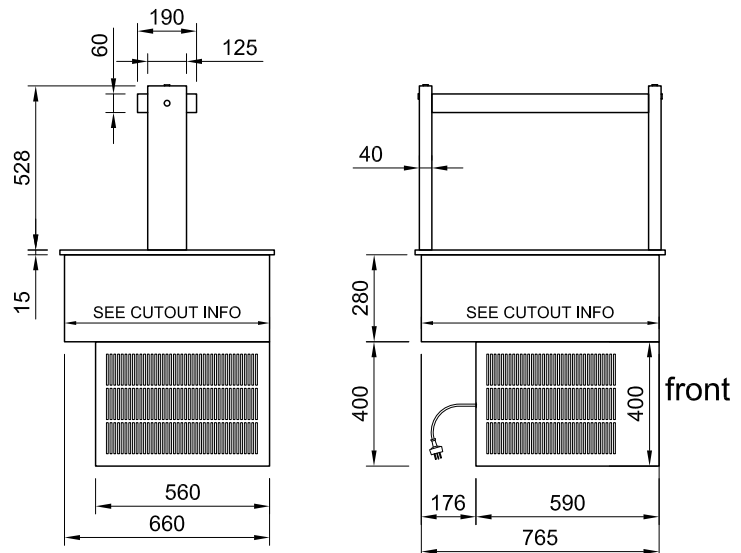
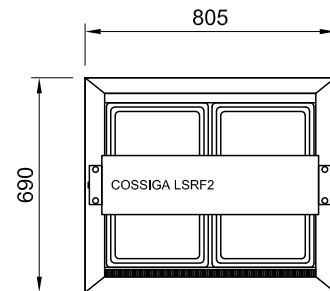
\* prior to installation see, installation guidelines, ventillation requirements and drainage options documents

## \* GLASS AND GANTRY OPTIONS

When ordering a LS unit select the gantry glass type you require from the [GLASS OPTIONS](#) page in this document.

## ELECTRICAL POWER

Electrical power cord 2200mm  
 3 pin 10 amp 1 phase socket required.  
 Maximum ambient operating  
 temperature climate class N max 32°C





## PRODUCT FEATURES

- Deck forced refrigeration
- Canopy LED light
- Integral condensor
- Self evaporating
- 65mm deep full size pans supplied
- Glass supplied separately \*

## UNIT DIMENSIONS & SPECIFICATIONS

Refrigerated 4<sup>0</sup> factory set point

Model	Cabinet			bench cut out hole size	Pans	Refrigerant	Operating Current	Connection	Voltage
	Length mm	Depth mm	Height mm						
LSRF3	1145	690	555	1125x670	3 x 1/1 65mm Gastro Pans	134a	4.6 Amp	10amp 3 pin plug	240V

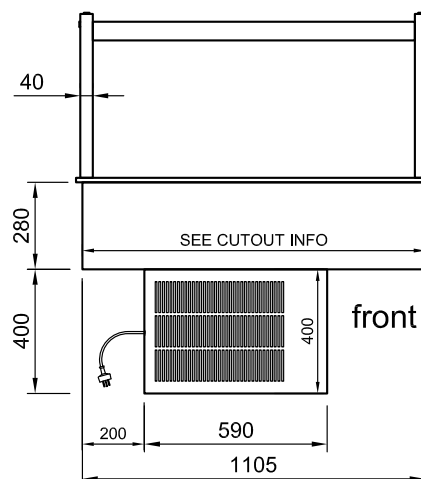
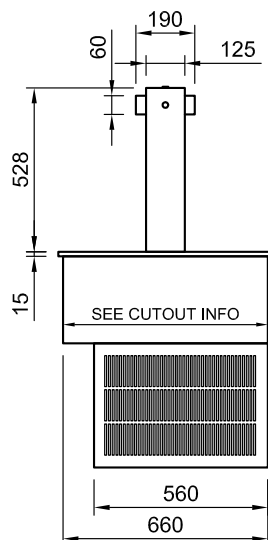
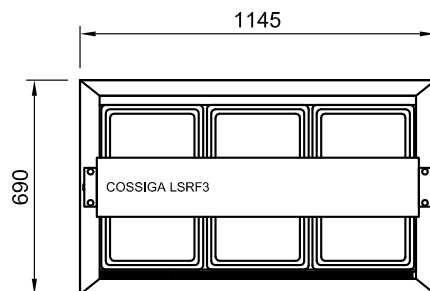
\* prior to installation see, installation guidelines, ventilation requirements and drainage options documents

## \* GLASS AND GANTRY OPTIONS

When ordering a LS unit select the gantry glass type you require from the [GLASS OPTIONS](#) page in this document.

## ELECTRICAL POWER

Electrical power cord 2200mm  
3 pin 10 amp 1 phase socket required.  
Maximum ambient operating  
temperature climate class N max 32°C





## PRODUCT FEATURES

- Deck forced refrigeration
- Canopy LED light
- Integral condensor
- Self evaporating
- 65mm deep full size pans supplied
- Glass supplied separately \*

## UNIT DIMENSIONS & SPECIFICATIONS

Refrigerated 4<sup>0</sup> factory set point

Model	Cabinet			bench cut out hole size	Pans	Refrigerant	Operating Current	Connection	Voltage
	Length mm	Depth mm	Height mm						
LSRF4	1485	690	555	1465x670	4 x 1/1 65mm Gastro Pans	134a	4.8 Amp	10amp 3 pin plug	240V

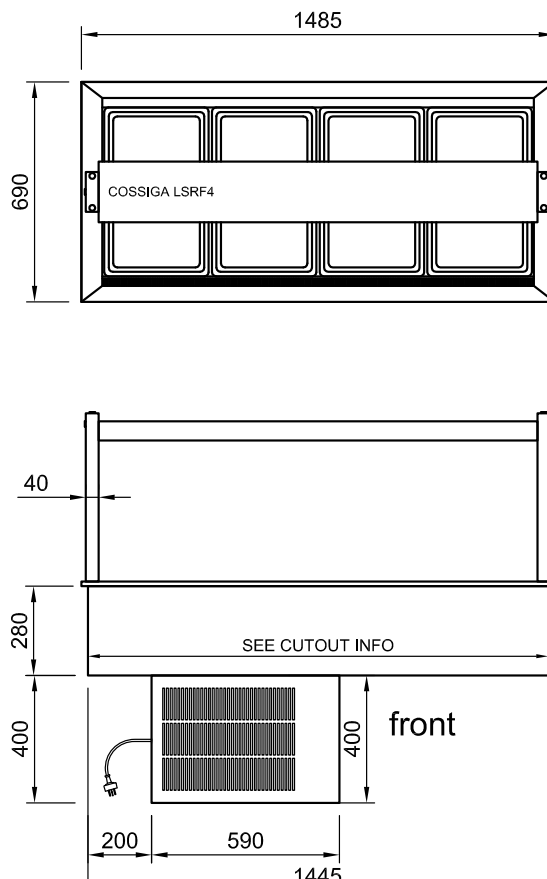
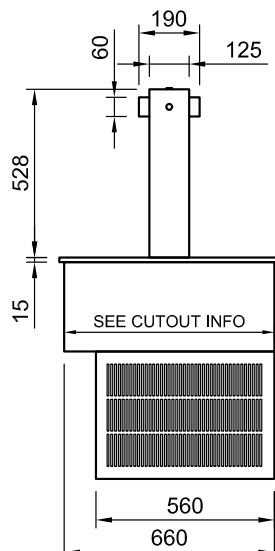
\* prior to installation see, installation guidelines, ventillation requirements and drainage options documents

## \* GLASS AND GANTRY OPTIONS

When ordering a LS unit select the gantry glass type you require from the [GLASS OPTIONS](#) page in this document.

## ELECTRICAL POWER

Electrical power cord 2200mm  
3 pin 10 amp 1 phase socket required.  
Maximum ambient operating  
temperature climate class N max 32°C





## PRODUCT FEATURES

- Deck forced refrigeration
- Canopy LED light
- Integral condensor
- Self evaporating
- 65mm deep full size pans supplied
- Glass supplied separately \*

## UNIT DIMENSIONS & SPECIFICATIONS

Refrigerated 4<sup>0</sup> factory set point

Model	Cabinet			bench cut out hole size	Pans	Refrigerant	Operating Current	Connection	Voltage
	Length mm	Depth mm	Height mm						
LSRF5	1825	690	555	1805x670	5 x 1/1 65mm Gastro Pans	134a	4.8 Amp	10amp 3 pin plug	240V

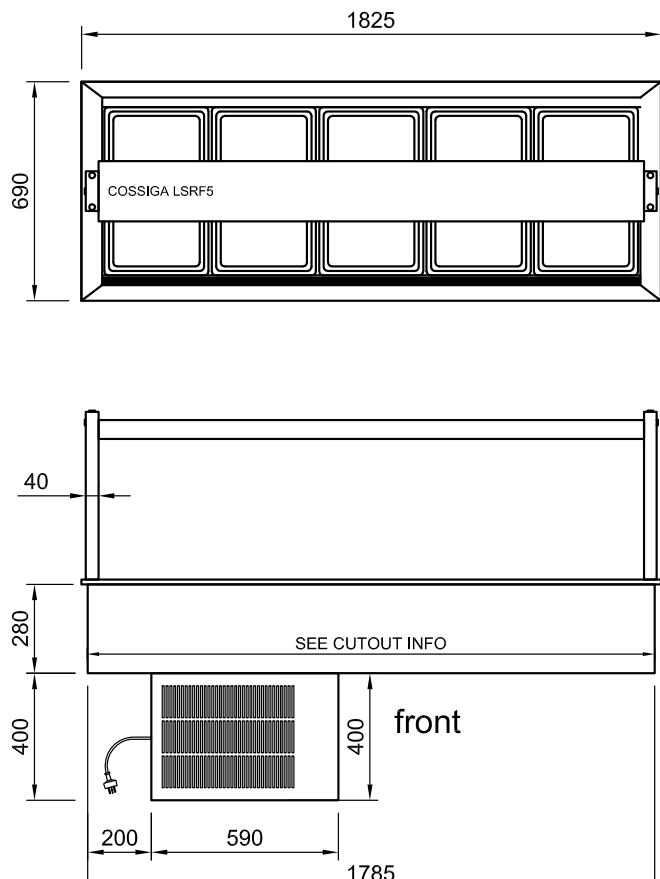
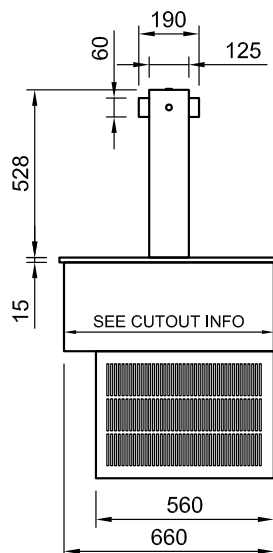
\* prior to installation see, installation guidelines, ventilation requirements and drainage options documents

## \* GLASS AND GANTRY OPTIONS

When ordering a LS unit select the gantry glass type you require from the [GLASS OPTIONS](#) page in this document.

## ELECTRICAL POWER

Electrical power cord 2200mm  
3 pin 10 amp 1 phase socket required.  
Maximum ambient operating temperature climate class N max 32°C





## PRODUCT FEATURES

- Deck forced refrigeration
- Canopy LED light
- Integral condensor
- Self evaporating
- 65mm deep full size pans supplied
- Glass supplied separately \*

## UNIT DIMENSIONS & SPECIFICATIONS

Refrigerated 4<sup>0</sup> factory set point

Model	Cabinet			bench cut out hole size	Pans	Refrigerant	Operating Current	Connection	Voltage
	Length mm	Depth mm	Height mm						
LSRF6	2165	690	555	2145x670	6 x 1/1 65mm Gastro Pans	134a	5.0 Amp	10amp 3 pin plug	240V

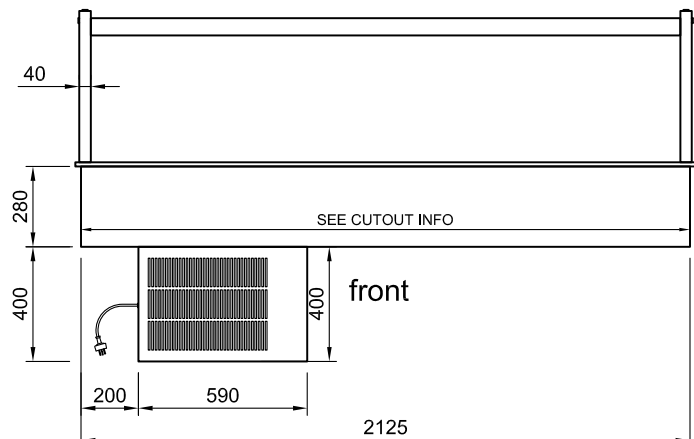
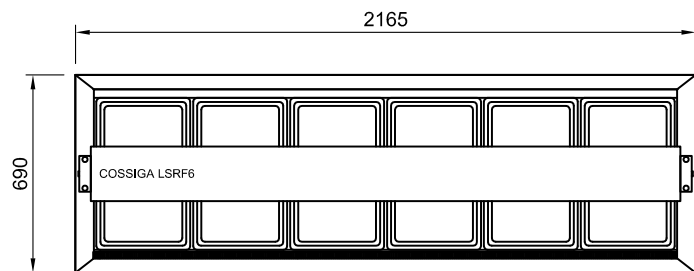
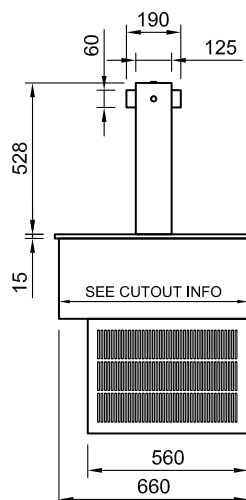
\* prior to installation see, installation guidelines, ventilation requirements and drainage options documents

## \* GLASS AND GANTRY OPTIONS

When ordering a LS unit select the gantry glass type you require from the [GLASS OPTIONS](#) page in this document.

## ELECTRICAL POWER

Electrical power cord 2200mm  
3 pin 10 amp 1 phase socket required.  
Maximum ambient operating temperature climate class N max 32°C



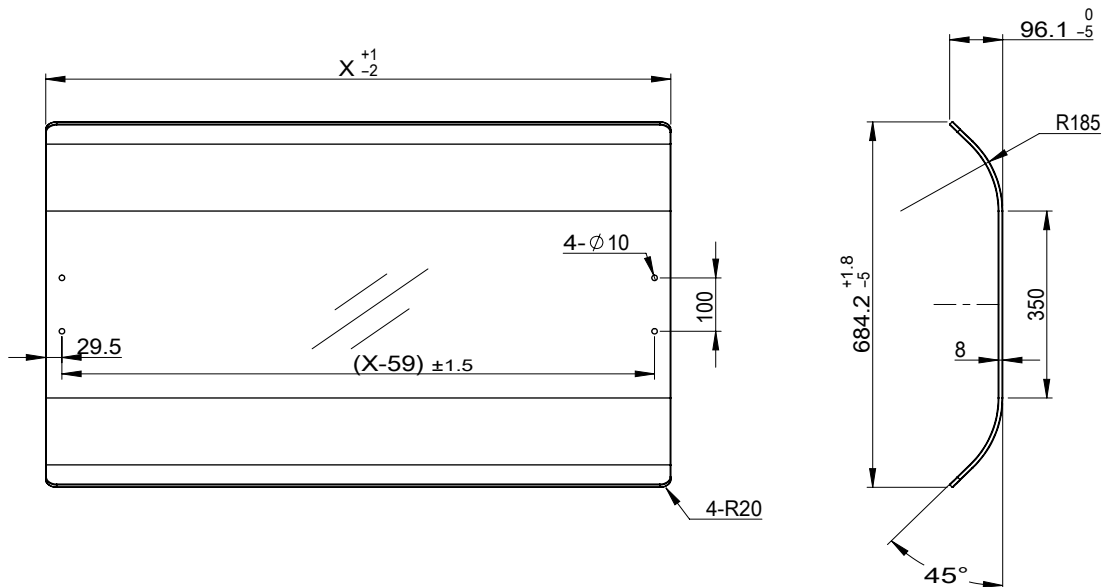


## DOUBLE CURVED GLASS

- Ceramic Heated Glass
- Overhead Halogen Lamps
- Thermostatically controlled
- Glass supplied separately \*

## DIMENSIONS & SPECIFICATIONS

Model	glass size			Part Number
	Length X mm	Depth mm	Height mm	
GLDC GLASS TYPE				
LSCM2	795	685	96	S21-634
LSRF3/LSBM3/LSCM3	1135	685	96	S21-596
LSRF4/LSBM4/LSCM4	1475	685	96	S21-635
LSRF5/LSBM5/LSCM5	1815	685	96	S21-636
LSRF6/LSBM6/LSCM6	2155	685	96	S21-637



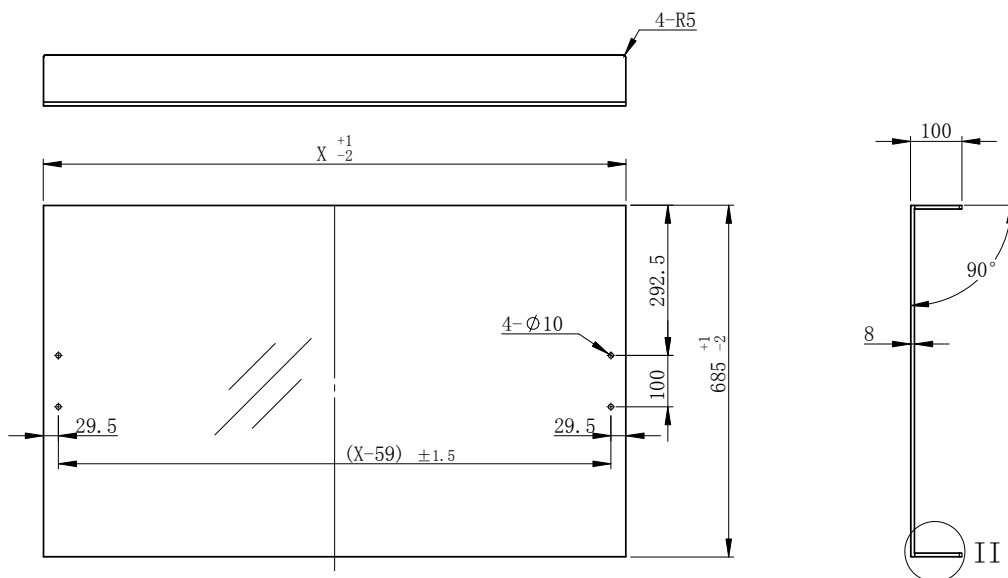


### FLAT TOP GLASS

- Ceramic Heated Glass
- Overhead Halogen Lamps
- Thermostatically controlled
- Glass supplied separately \*

### DIMENSIONS & SPECIFICATIONS

Model	glass size			Part Number
	Length X mm	Depth mm	Height mm	
GLFT GLASS TYPE				
LSCM2	795	685	100	S21-626
LSRF3/LSBM3/LSCM3	1135	685	100	S21-583
LSRF4/LSBM4/LSCM4	1475	685	100	S21-627
LSRF5/LSBM5/LSCM5	1815	685	100	S21-628
LSRF6/LSBM6/LSCM6	2155	685	100	S21-629



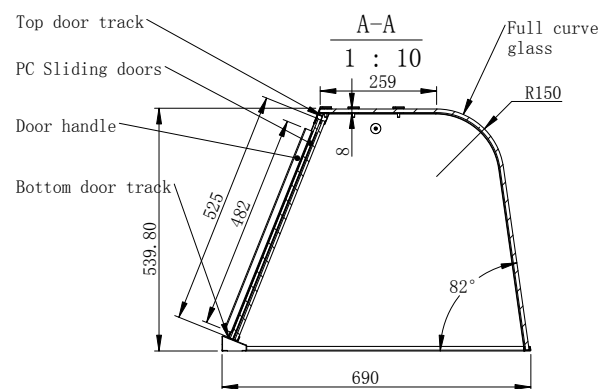
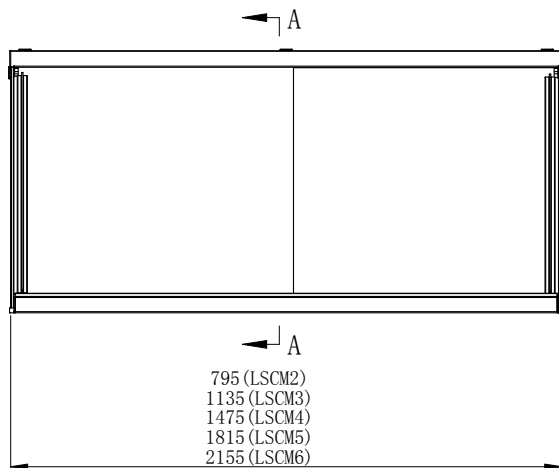


## FULL CURVED GLASS

- Ceramic Heated Glass
- Overhead Halogen Lamps
- Thermostatically controlled
- Glass supplied separately \*

## DIMENSIONS & SPECIFICATIONS

Model	glass size			Part Number
GLFC GLASS TYPE	Length X mm	Depth mm	Height mm	
LSCM2	795	690	540	
LSRF3/LSBM3/LSCM3	1135	690	540	
LSRF4/LSBM4/LSCM4	1475	690	540	
LSRF5/LSBM5/LSCM5	1815	690	540	
LSRF6/LSBM6/LSCM6	2155	690	540	







## FULL SQUARE GLASS

- Ceramic Heated Glass
- Overhead Halogen Lamps
- Thermostatically controlled
- Glass supplied separately \*

## DIMENSIONS & SPECIFICATIONS

Model	glass size			Part Number
	Length X mm	Depth mm	Height mm	
GLFSG GLASS TYPE				
LSCM2	795	690	540	
LSRF3/LSBM3/LSCM3	1135	690	540	
LSRF4/LSBM4/LSCM4	1475	690	540	
LSRF5/LSBM5/LSCM5	1815	690	540	
LSRF6/LSBM6/LSCM6	2155	690	540	

