



### PRODUCT FEATURES

- Sliding doors front and rear
- Single glazed
- Three adjustable shelves
- Ticket strips on shelves and deck
- Undershelf and canopy LED lights
- Solid glass front - optional

### CABINET DIMENSIONS & SPECIFICATIONS

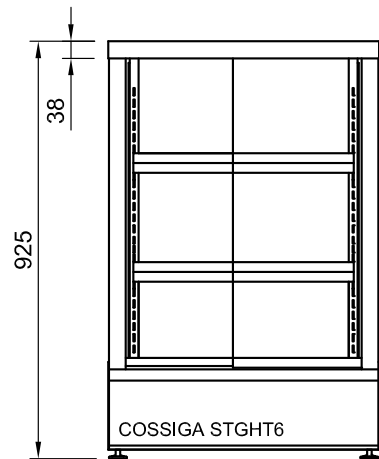
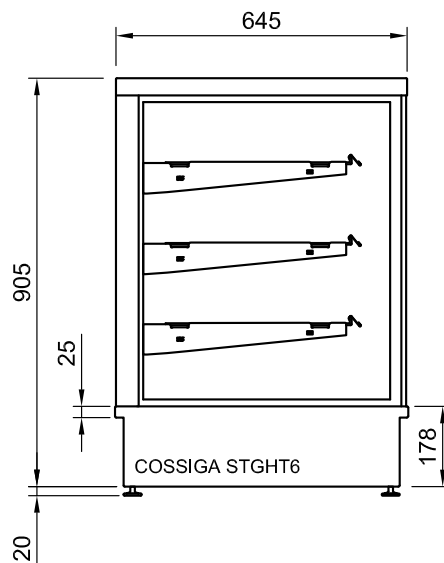
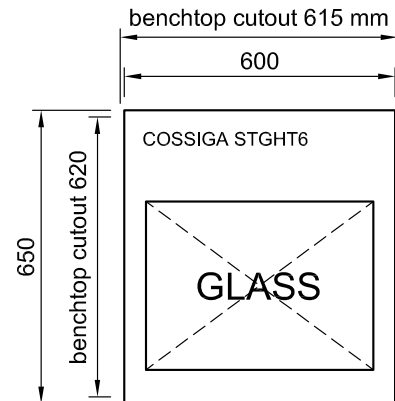
Heated 75<sup>0</sup> factory set point

Model	Cabinet			Shelving no.	Display m2	Total food units	Operating Current	Connection	Voltage
	Length mm	Depth mm	Height mm						
STGHT6	600	650	920	3 + base	0.76	100 X 100 mm	4.6 Amp	10amp 3 pin plug	50/60 Hertz

\* prior to installation see, installation guidelines, ventillation requirements and drainage options documents

### ELECTRICAL POWER

Electrical power cord 2200mm  
3 pin 10 amp 1 phase socket required.





### PRODUCT FEATURES

- Sliding doors front and rear
- Single glazed
- Three adjustable shelves
- Ticket strips on shelves and deck
- Undershelf and canopy LED lights
- Solid glass front - optional

### CABINET DIMENSIONS & SPECIFICATIONS

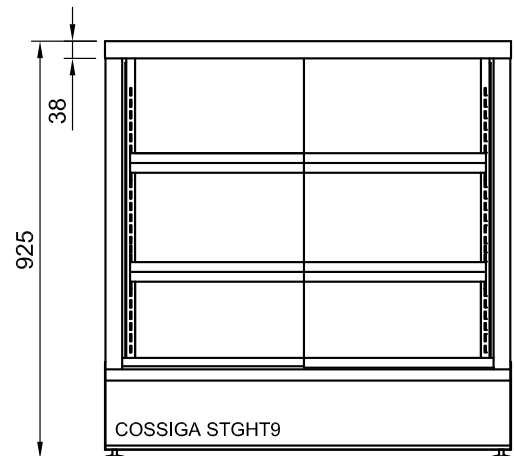
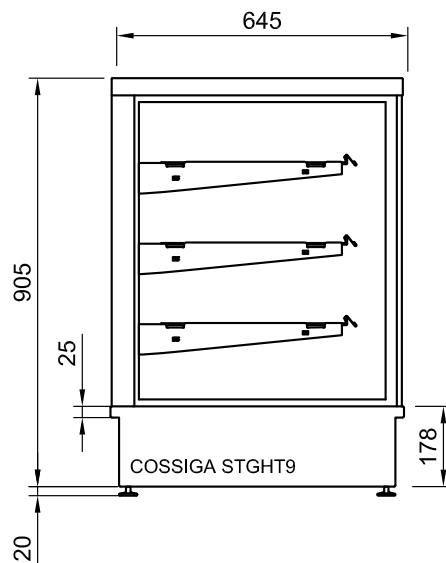
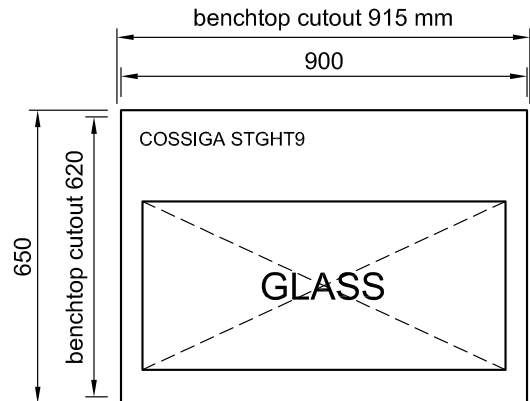
Heated 75<sup>0</sup> factory set point

Model	Cabinet			Shelving no.	Display m2	Total food units	Operating Current	Connection	Voltage
	Length mm	Depth mm	Height mm						
STGHT9	900	650	920	3 + base	1.21	84	6.2 Amp	10amp 3 pin plug	240V

\* prior to installation see, installation guidelines, ventillation requirements and drainage options documents

### ELECTRICAL POWER

Electrical power cord 2200mm  
3 pin 10 amp 1 phase socket required.





### PRODUCT FEATURES

- Sliding doors front and rear
- Single glazed
- Three adjustable shelves
- Ticket strips on shelves and deck
- Undershelf and canopy LED lights
- Solid glass front - optional

### CABINET DIMENSIONS & SPECIFICATIONS

Heated 75<sup>o</sup> factory set point

Model	Cabinet			Shelving no.	Display m2	Total food units	Operating Current	Connection	Voltage
	Length mm	Depth mm	Height mm						
STGHT12	1200	650	920	3 + base	0.76	121	7.7 Amp	10amp 3 pin plug	240V

\* prior to installation see, installation guidelines, ventillation requirements and drainage options documents

### ELECTRICAL POWER

Electrical power cord 2200mm  
3 pin 10 amp 1 phase socket required.

