

Single Pan Gas Pasta Cooker 450mm

CP4



- High performance single pan pasta cooker
- Patented infra-red burner system
- Easy clean 316 grade stainless steel open pan
- 40L water capacity
- Integrated water fill and starch skimming water faucet
- Six stainless steel pasta baskets supplied
- Hinged basket drain stand
- Safety cut-out thermostat for empty pan/water boil out
- Stainless steel exterior
- Easy clean
- Easy service
- Fully modular

OVERALL CONSTRUCTION

- Pan 1.5mm 316 stainless steel
- Bull nose welded stainless steel
- Splashback 0.9mm 304 stainless steel
- Side panels 1.2mm 304 stainless steel
- Double skin door with stainless exterior
- 25mm (1") skimming overflow and pan drain valve
- 50mm dia. stainless steel adjustable legs to front and two rollers at rear
- Six stainless steel baskets with moulded handles
- 304 stainless steel wire basket support grid in pan

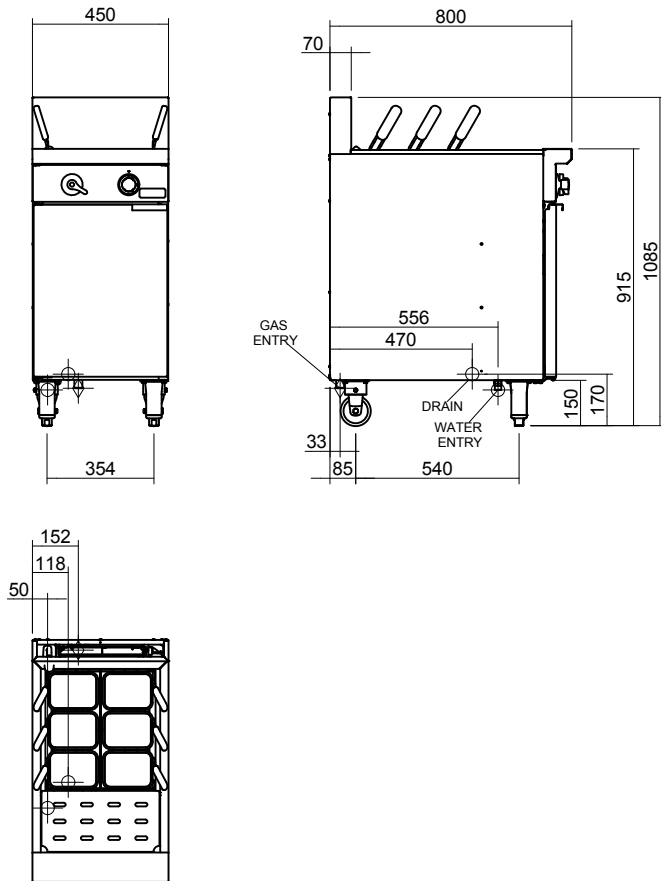
CONTROLS

- Large easy to use knob - heat resistant reinforced
- Variable high boil to standby simmer burner control
- Fine adjustment water faucet for pan filling and water refreshing/starch skimming
- Pan protection safety cut-out thermostat
- Millivolt gas valve system (no electrical supply)
- Flame failure protection on pilot
- Piezo ignition to standing pilot burner

CLEANING AND SERVICING

- Open stainless steel pan for easy clean
- Hinged basket drain tray
- Removable basket support grid
- 25mm (1") drain valve for effective draining
- Easy clean stainless steel exterior
- Access to all parts from front of unit

Single Pan Gas Pasta Cooker 450mm



SPECIFICATIONS

Pan size

Water capacity 40L
Width 365mm
Length 405mm
Basket immersion depth 165mm

Baskets

6 stainless steel perforated baskets with moulded plastic handles
125mm x 165mm x 180mm deep
Stainless steel wire basket support grid

Burners

1 x infra-red burner

Gas Power

47MJ/hr, 13kW Natural gas
46MJ/hr, 12.8kW LP gas

Gas Connection

R 3/4 (BSP) male
All units supplied with Natural and LP gas regulator

Water Connection

Cold water connection 50mm from left hand side, 556mm from rear and 140mm from floor
R1/2 (BSP) male

Drain Connection

Drain must be connected to system suitable for boiling water discharge
1" BSP Male connection 118mm from left hand side, 470mm from rear, and 170mm from floor

Dimensions

Width 450mm
Depth 800mm
Height 915mm
Incl. splashback 1085mm

Nett weight

81kg

Packing data

0.54m³, 123kg
Width 870mm
Depth 495mm
Height 1255mm

Gas types

Available in Natural gas and LP gas, please specify when ordering
Other gas types on request

Options

Side splash guards
Joining caps

MOFFAT®

moffat.com.au
moffat.co.nz

Australia
moffat.com.au

Moffat Pty Limited

Victoria/Tasmania
740 Springvale Road
Mulgrave, Victoria 3170
Telephone +613-9518 3888
Facsimile +613-9518 3833
vsales@moffat.com.au

New South Wales
Telephone +612-8833 4111
nswsales@moffat.com.au

South Australia
Telephone +613-9518 3888
vsales@moffat.com.au

Queensland
Telephone +617-3630 8600
qldsales@moffat.com.au

Western Australia
Telephone +61 8-9413 2400
wasales@moffat.com.au

New Zealand
moffat.co.nz

Moffat Limited

Rolleston
45 Illinois Drive
Izone Business Hub
Rolleston 7675
Telephone +64 3-983 6600
Facsimile +64 3-983 6660
sales@moffat.co.nz

Auckland
Telephone +64 9-574 3150
sales@moffat.co.nz



ISO9001
Quality
Management
Standard



Cert. No. 7027G

In line with policy to continually develop and improve its products, Moffat Limited reserves the right to change specifications and design without notice.

© Copyright Moffat Ltd
AN.C.SS.1701

an Ali Group Company



The Spirit of Excellence