

## TECHNICAL DATA SHEET FOR Gas Range Static Oven 600mm

CR6D, CR6C, CR6B



CR6D

- 600mm wide
- Stainless steel finish
- 22MJ open burners
- 2 or 4 open burner configuration
- Cast iron burners and vitreous enamel pot stands
- High crown static oven
- Manual pilot ignition
- Side hinged door
- Welded vitreous enameled oven liner
- Griddle options – 300mm and 600mm machine finished 12mm thickness, with piezo ignition
- Adjustable front feet and rear rollers
- Fully modular
- Optional: Flame failure protection on open burners

---

### Overall Construction

#### Cooktop

Cast iron open burner heads with vitreous enamelled cast iron caps

Vitreous enamelled potstands

12mm machined surface mild steel griddle plates

Stainless steel front, sides and splashback

Aluminised steel spill tray

Griddle sections are standard on RH side only.

#### Oven

Aluminised oven frame

Fully welded and vitreous enamelled oven liner

GN 1/1 capacity with 4 position racking

Supplied with one chrome plated oven rack

Vitreous enamelled oven spill tray

Vitreous enamelled door inners

Stainless steel exterior doors and sides

50mm dia. stainless steel adjustable legs to front and two rollers at rear

### Controls

#### Cooktop

Large easy use control knobs

Variable high to low controls to open and griddle burners

Optional flame failure on open burners

Griddles standard with pilot, flame failure and piezo ignition

#### Oven

80-300°C thermostatic oven control

Manual ignition to oven pilot burner with flame failure

### Cleaning and Servicing

Easy clean stainless steel exterior

Vitreous enamelled potstands and burner caps

Lift off open burner caps and removable burners

Removable cooktop and oven spill trays

Stainless steel grease trays on griddles

Access to all parts from front of unit

## TECHNICAL DATA SHEET FOR Gas Range Static Oven 600mm CR6D, CR6C, CR6B

### Burners

Open Burners;  
22MJ/hr, 6.0kW each  
Griddle Burners;  
20MJ/hr, 5.5kW per 300mm section  
Oven; 24MJ, 6.7kW

### Gas power

CR6D 112MJ/hr, 30.7kW  
CR6C 88MJ/hr, 24.2kW  
CR6B 64MJ/hr, 17.7kW

### Oven Dimensions

Width 460mm  
Depth 615mm  
Height 365mm

### Rack size

450mm x 590mm  
Rack positions 4

### Gas connection

R<sup>3</sup>/<sub>4</sub> (BSP) male  
130mm from RH side, 20mm from  
rear, and 655mm from floor

*All units supplied with Natural and  
LP gas regulator*

### Dimensions

Width 600mm  
Depth 800mm  
Height 915mm  
Incl. splashback 1085mm

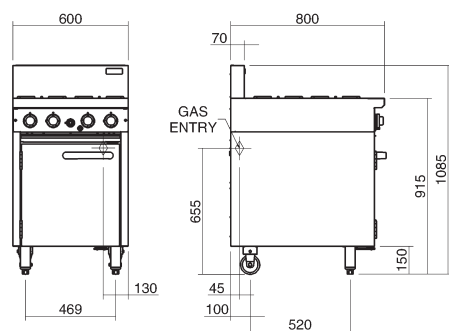
### Packing data

0.7m<sup>3</sup>  
Width 640mm  
Depth 865mm  
Height 1255mm  
115kg nett weight  
167kg packed weight

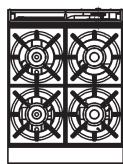
### Gas types

Available in Natural gas and LP gas,  
please specify when ordering

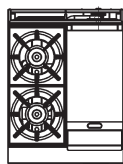
*Other gas types on request*



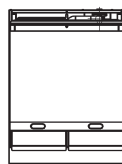
CR6



CR6D



CR6C



CR6B

**MOFFAT®**

[www.moffat.com.au](http://www.moffat.com.au)

Australia  
Moffat Pty Limited

Victoria/Tasmania  
740 Springvale Road  
Mulgrave, Victoria 3170  
Ph 03-9518 3888  
Fax 03-9518 3833  
[vsales@moffat.com.au](mailto:vsales@moffat.com.au)  
[www.moffat.com.au](http://www.moffat.com.au)

New South Wales  
Ph 02-8833 4111  
[nswsales@moffat.com.au](mailto:nswsales@moffat.com.au)

South Australia  
Ph 03-9518 3888  
[vsales@moffat.com.au](mailto:vsales@moffat.com.au)

Queensland  
Ph 07-3630 8600  
[qldsales@moffat.com.au](mailto:qldsales@moffat.com.au)

Western Australia  
Ph 08-9202 6820  
[bgarcia@moffat.com.au](mailto:bgarcia@moffat.com.au)

New Zealand  
Moffat Limited

Christchurch  
16 Osborne Street  
Christchurch 8011  
Ph +64 3-389 1007  
Fax +64 3-389 1276

Auckland  
Ph +64 9-574 3150

[export@moffat.co.nz](mailto:export@moffat.co.nz)  
[www.moffat.co.nz](http://www.moffat.co.nz)



Designed and manufactured by



ISO9001

All Cobra products are designed and  
manufactured by Moffat using the  
internationally recognised ISO9001  
quality management system, covering  
design, manufacture and final  
inspection, ensuring consistent high  
quality at all times.



In line with policy to continually develop  
and improve its products, Moffat Limited  
reserves the right to change  
specifications and design without notice.