




The spray system produces clear and transparent ice cubes and the patented **Bright Cube** shape grants a longer lasting cube for you to enjoy your cold drinks

Self contained ice maker.
Up to 35kg production per 24/hr of medium ice cube.
11.5kg storage bin.
Complete with legs, water & drain hoses + 1 ice scoop.
10 AMP power supply.
266 mm drain height including legs to finished floor.




ICE PRODUCTION

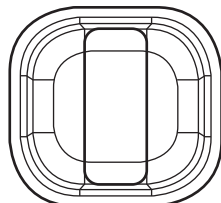
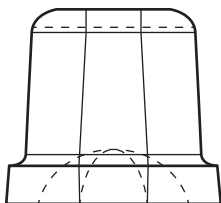
Air Cooled Unit

Air Temp.	Water Temperature			
				
°C	32°	21°	15°	10°
°F	90°	70°	60°	50°
10°	29	32	34	36
50°	64	71	75	79
21°	27	30	32	34
70°	60	66	71	75
32°	22	24	26	28
90°	49	53	57	62
38°	19	21	22	23
100°	42	46	49	51

Water Cooled Unit

Air Temp.	Water Temperature			
				
°C	32°	21°	15°	10°
°F	90°	70°	60°	50°
10°	28	32	34	36
50°	62	71	75	79
21°	26	30	32	34
70°	57	66	71	75
32°	25	29	31	33
90°	55	64	68	73
38°	21	26	28	29
100°	46	57	62	64

CUBE TYPE



20g weight
BRIGHT CUBE
32mm x 35mm x 37mm

The Bright Ice Cube, appreciated for its versatility, is perfect for use in ice buckets, whiskey on the rocks, cocktails and appetisers. The crystal clear appearance of the Bright Cube makes it essential when a high quality is required.

CONTROL PANEL



Switch On/Off


Ice size regulation screw


BIN CAPACITY

11.5 kg - 25.3 lbs | 575 pcs

DIMENSIONS

W x D x H (mm)

 400 x 540 x 690/810

 460 x 600 x 850

OPERATING REQUIREMENTS

Rejected Heat 1273 W





Air Volume 185 m³/h



220-240/50/1



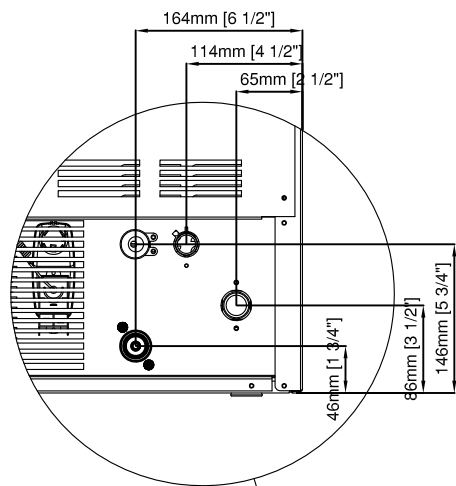
R134a GWP = 1430

MIN		MAX
10°C (50°F)		40°C (104°F)
5°C (41°F)		35°C (95°F)
- 10 %		+ 10 %
1 Bar (14 psi)		5 Bar (70 psi)

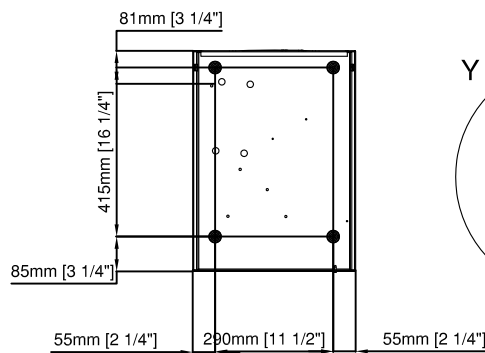


SPECIFICATIONS

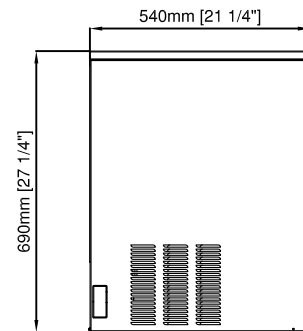
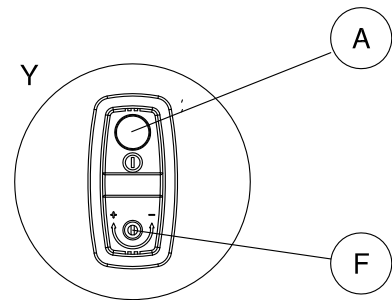
	cond	comp. W	ABS. W	Fuse	kWh/100kg	L / hr	kg	lbs	kg	lbs	Ton CO2 equiv.
CS35 A		755	470	10	32.6	2.58	36	79	44	97	0.329
CS35 W		755	420	10	25.1	31.2	36	79	44	97	0.286



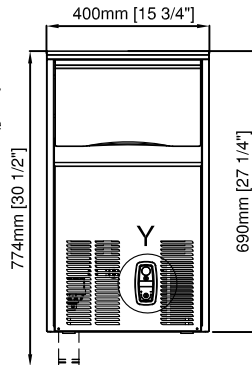
Back View
Vista Posteriore



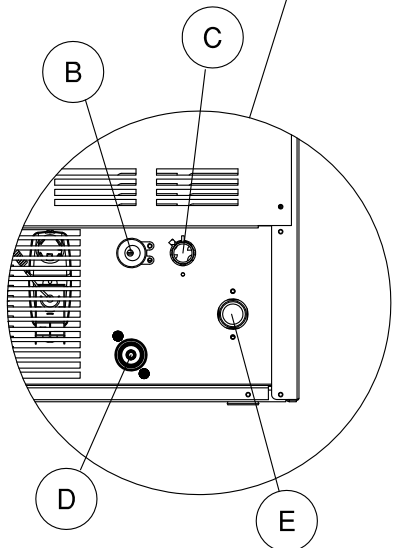
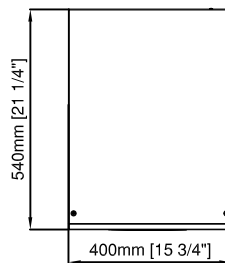
Front View
Vista Frontale



Lateral View
Vista Laterale



Top View
Vista Superiore



- A** Switch On/Off
- B** Electrical cable supply
- C** Water outlet connection 20mm diam.
- D** Water outlet connection water condensation 20mm diam.
- E** Water inlet connection 3/4" gas
- F** Ice size regulation screw