



Austune Commercial Pty Ltd
 Unit 1, 79-85 Mars Road
 Lane Cove West NSW 2066
 Tel: (02) 9420 4477
 www.austunecommercial.com

PIZZA TABLE - DRAWER REFRIGERATOR
MODEL : CTPR-67SD-D4



- Pans included.
- Drawer pans not included

FEATURES / BENEFITS

■ **COLD AIR CURTAIN SYSTEM**

Our innovative forced air system allows cold air to flow all around the food pan area, covering not only underneath the pan, but also to the front, top and the rear.

■ **STAINLESS STEEL CABINET CONSTRUCTION**

The Turbo Air Super Deluxe model boasts a stainless steel interior and exterior (galvanized steel back & bottom). It guarantees the utmost in cleanliness and long product life. The Super Deluxe can add a touch of style to the most refined setting.

■ **STURDY, CLEAN STAINLESS STEEL SHELVEING**

Shelves are the most important part of cleanliness as they come in direct contact with food. After a while, PVC coated wire shelves may peel, rust and lead to unsanitary conditions. Only the Turbo Air Super Deluxe series uniquely provides stainless steel shelving.

■ **EXTRA DEEP CUTTING BOARD**

Our cutting board is 490mm deep and 12mm thick to provide ample working space, and is made of easy to use and sanitize LDPE (Low Density Polyethylene). The new side rail cutting board bracket makes it easy to secure and remove the cutting board.

■ **SIDE MOUNT COMPRESSOR UNIT**

By positioning the compressor on the side of the unit, refrigerators can now be serviced without being moved.

■ **DURABLE STAINLESS STEEL DRAWERS**

■ **INSULATED PAN COVER**

■ **HIGH-DENSITY POLYURETHANE INSULATION**

The entire cabinet structure and solid doors are foamed-in-place using high density, CFC free polyurethane insulation.

■ **EFFICIENT REFRIGERATION SYSTEM**

Turbo Air's solid door refrigerators are designed with oversized and balanced refrigeration systems. These include efficient evaporators and condensers for faster cooling and greater efficiency.

■ **EXCELLENT COOLING SYSTEM**

The powerful forced-air refrigeration system maintains the storage cabinet at a constant temperature. The evaporator fan and a newly designed stainless steel louver allow uniform distribution of cold air to the food pans and throughout the unit to keep food temperature within the NSF standard 7 requirements.

■ **ERGONOMICALLY DESIGNED DOORS**

Customers' fatigue fades away with easy grip handles and doors that open effortlessly. These features along with self-closing doors make this the ultimate choice in customer convenience. ABS sheet door liners resist water condensation with thermal efficiency.

Model	Swing Door	Capacity (litres)	#of Shelves	HP	AMPS	Crated Weight (kg)	W x D x H (mm)
CTPR-67SD-D4	0	566	4	7/8	6.0	260	1702 x 820 x 1069

Ver.DEC.2015

www.austunecommercial.com



PIZZA TABLE - DRAWER

REFRIGERATOR
MODEL : CTPR-67SD-D4

Model : CTPR-67SD-D4

SPEC SHEET	CTPR-67SD-D4
Classification	Refrigerator
Cabinet dimension (WxDxH mm)	1702x820x1069
Capacity (Liters)	566
Inner Temperature	1°C ~ 8°C
Ambient Temperature	40°C
Doors	0
Drawers	4
# of shelves	4
# of Pans	9
# of Hood	2
Refrigerant	R-134a
Compressor (HP)	7/8
Cooling Type	Fan cooling type
Insulation Type	Polyurethane/ Cyclopentane+CFC Free
Temperature Control Type	Thermostat
Amps (A)	6.0
Voltage (V/Hz/Ph)	240V 50Hz 1Ph
Power (W)	660
Weight (Kg)	260

Design and specifications subject to change without notice.
Actual shipping weight may differ due to extra packing materials for product protection.

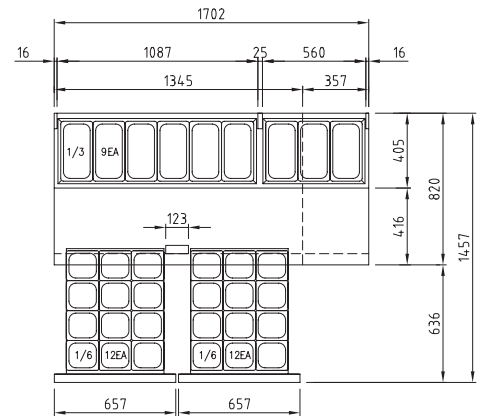
- DOOR LOCKS STANDARD
- SELF-CONTAINED SYSTEM
- STANDARD 4" SWIVEL CASTERS WITH LOCKS ON THE FRONT SET
- STANDARD 1/3 SIZE, 150MM DEEP CONDIMENT PANS INCLUDED
- 490MM DEEP, 12MM THICK CUTTING BOARD INCLUDED

WARRANTY **2 YEARS**
PARTS & LABOUR

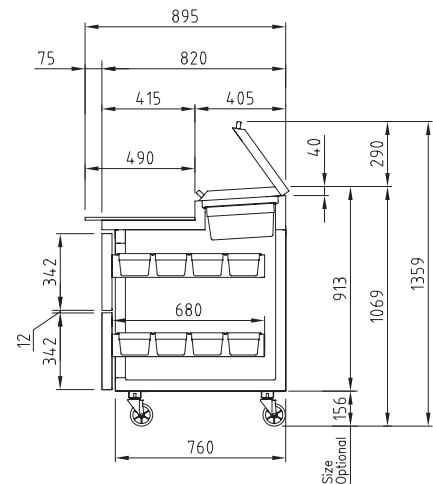
Ver.DEC.2015

PLAN VIEW

(unit : mm)



TOP VIEW



SIDE VIEW



Unit 1, 79-85 Mars Road, Lane Cove West NSW 2066
Tel: (02) 9420 4477
www.austunecommercial.com

REFRIGERATOR MANUFACTURER
Turbo air

Austune
1800 FRIDGE

