

Gas Waterless Wok 600mm

CW1H-C - 1 hole - 1 Chimney burner
 CW1H-D - 1 hole - 1 Duckbill burner



OVERALL CONSTRUCTION

- Welded frame full chassis
- Welded frame double skin wok deck
- Fully insulated wok deck
- Stainless steel exterior finish
- Heavy-duty cast iron wok rings (removable)
- Stainless steel spill tray
- 50mm dia. stainless steel legs with adjustable feet

CONTROLS

- Pilot On/Off control with flame failure valve
- Main burner On/Off valve with High-Low burner adjustment
- Quarter turn main burner control handles
- Quarter turn water valve handle

CLEANING AND SERVICING

- Stainless steel exterior finish
- Lift out wok rings for full cleaning ability
- Slide out spill tray
- Rear waste channel with removable grate for debris collection
- Access to all parts from front and top for servicing

- 800mm compact depth
- Cobra suite matching
- Waterless wok deck
- 14" wok hole
- Duckbill and Chimney burner model options
- 105 MJ/hr 18 jet Duckbill burners¹
- 95 MJ/hr 24 jet Chimney burners²
- High splashback with shelf
- Water laundry swivel arm on splashback
- Rear waste channel
- Stainless steel spill tray
- Lift out wok ring
- Flame failure protection with pilot burner
- Wok rest accessory included



Duckbill burner



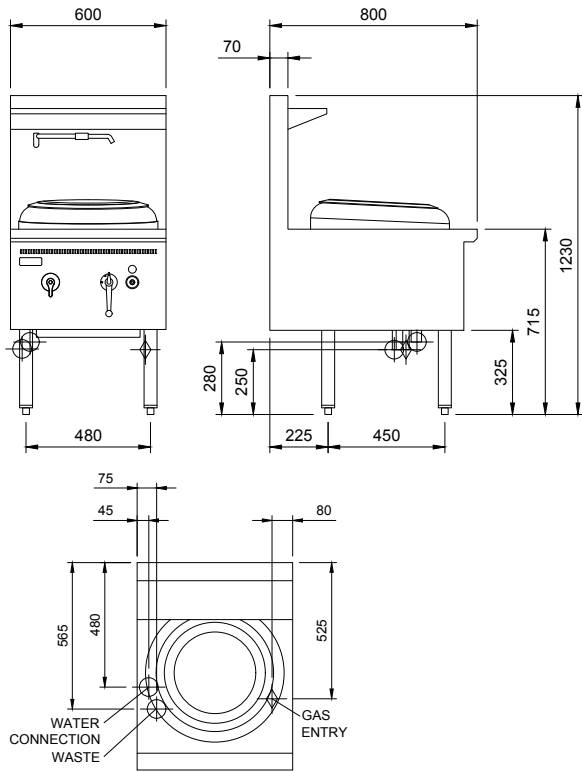
Chimney burner

¹ NZ models Duckbill burner rating 105MJ/hr Natural Gas / 85MJ/hr on LP gas.

² NZ models Chimney burners available Natural Gas only.



Gas Waterless Wok 600mm



SPECIFICATIONS

Burners

95MJ/hr 24 jet Chimney burner
(NZ - Chimney burners available
Natural Gas only)

105MJ/hr 18 jet Duckbill burner
(NZ - LP gas rating 85 MJ/hr)

Gas Rating - Total

CW1H-C 95 MJ/hr
(NZ - available Natural Gas only)

CW1H-D 105 MJ/hr
(NZ - LP gas rating 85 MJ/hr)

Wok size

14" wok ring
Suits woks 40-60cm / 16-24"

Gas connection

Separate gas connection for each
wok hole

R3/4 (BSP) male each wok hole
525mm for rear, 250mm from floor
80mm from RH side

All units supplied with Natural-LP gas
regulators for each wok connection.

Supplied gas regulators include Test
Point for appliance operating pressure.
Supplied regulator(s) must be fitted to
each appliance gas connection when
installed.

Water connection

Cold water connection
1 x 1/2" copper tube
480mm from rear, 250mm from floor
45mm from LH side

Drain connection

Connection to waste drain or drain to
collection vessel
1-1/4" BSP drain waste
565mm from rear, 280mm from floor,
75mm from LH side

Dimensions

Width 600mm
Depth 800mm
Height 715mm
Incl. splashback 1230mm

Nett weight

83kg

Packing data

0.88m³, 114kg
Width 700mm
Depth 900mm
Height 1400mm

Gas types

Available in Natural gas and LP gas,
please specify when ordering.

Note: Chimney Burner model options
only available on Natural gas models in
New Zealand.

MOFFAT

moffat.com.au
moffat.co.nz

Australia
moffat.com.au

Moffat Pty Limited

Victoria/Tasmania
740 Springvale Road
Mulgrave, Victoria 3170
Telephone +613-9518 3888
Facsimile +613-9518 3833
vsales@moffat.com.au

New South Wales
Telephone +612-8833 4111
nswsales@moffat.com.au

South Australia
Telephone +613-9518 3888
vsales@moffat.com.au

Queensland
Telephone +617-3630 8600
qldsales@moffat.com.au

Western Australia
Telephone +61 8-9413 2400
wasales@moffat.com.au

New Zealand

moffat.co.nz

Moffat Limited

Rolleston
45 Illinois Drive
Izone Business Hub
Rolleston 7675
Telephone +64 3-983 6600
Facsimile +64 3-983 6660
sales@moffat.co.nz

Auckland
Telephone +64 9-574 3150
sales@moffat.co.nz



ISO9001
Quality
Management
Standard



Cert. No. 8593G

In line with policy to continually develop
and improve its products, Moffat Limited
reserves the right to change
specifications and design without notice.

© Copyright Moffat Ltd
AN.C.SS.1701

an Ali Group Company



The Spirit of Excellence