

HJ2SC



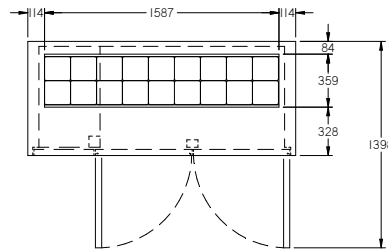
CATEGORY PREPARATION COUNTERS

RANGE **Jade Sandwich Counter**

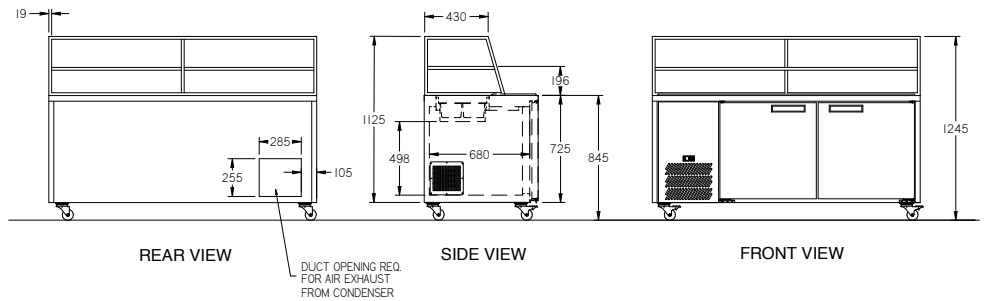
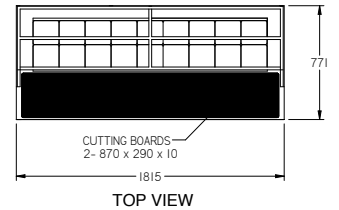
UNIT REFRIGERATOR

TYPE SELF CONTAINED

DOORS 2



WELL OPENING:
WILL ACCEPT 2 ROWS OF 9 x 1/6 POTS



SPECIFICATIONS

CAPACITY LITRES	500
TEMPERATURE	1°C / 4°C
GN PANS 100 MM DEEP (INCLUDED)	18 X 1/6
DIMENSIONS - W X D X H (ON CASTORS) MM	1815 W x 771 D x 845 H
WEIGHT UNPACKED (KG)	210

STANDARD INCLUSIONS ***

DOOR TYPE	Standard: SD (Solid Door) Optional: DR (Drawer)
FINISH (INTERIOR & EXTERIOR EXCLUDING UNDER. STAINLESS STEEL INTERNAL FLOOR & PREP AREA)	CB (White), CBB (Black), SS (Stainless Steel)
SHELVES/DOOR	1

ELECTRICAL

POWER SUPPLY	10 amp
POWER CABLE LENGTH (METRES)	2
RUNNING AMPS	4.8

GAS TYPE

REFRIGERANT	SELF CONTAINED	R134a
	REMOTE (OPTIONAL)	R404a

REFRIGERATION WATTAGES FOR OPTIONAL REMOTE UNITS

REMOTE WATTAGES	750 @ -10°C SST
-----------------	-----------------

*** For **OPTIONS** refer to the current Williams Price Guide