



The Eureka Drogheria MCD4 Bulk Grinder is designed specifically for large batches of beans at a time.

The MCD4 is built for extended service life from the ground-up with a 750W motor meant for volume, 75mm flat burrs, and an outsized grind chute with bag clip for easy cleaning.



The 'Easy Setting' grind adjust system allows for either French press-coarse or Turkish-fine coffee in one full revolution of the grind knob.



Available in a multitude of colours and variants

Transparent bean hopper

1.4kg

Aluminium

Aluminium body

Micrometric grinding regulation

The micrometric adjustment of grinding thickness with rotor blade axial slide enables the best possible grinding.

Operating switch

Its instant dosing (mod. on-demand) ensures the best quality and aroma.

Channel

Chrome coffee channel



MACINE / BURRS

tipo / type	piane / flat
diametro / diameter	65 / 75 / 85 (mm)
materiale / material	acciaio temprato hardened steel

MOTORE / ENGINE

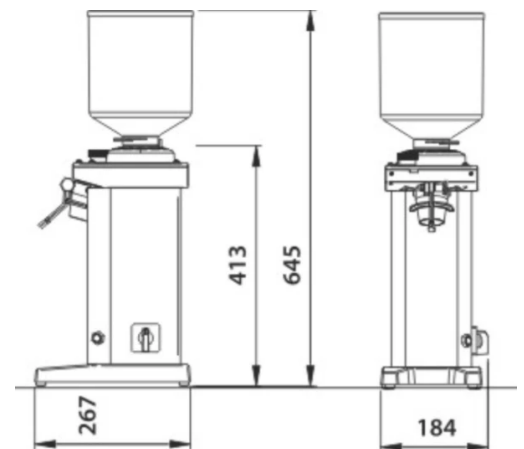
trazione / traction	diretta / direct
numero giri / number of rounds	1360 / 1430 rpm
potenza assorbita / power	450 / 750 watt
alimentazione / feeding	monofase, trifase single phase, three phase

VARIE / VARIOUS

versione disponibile / available versions	manuale / manual
regolazione micrometrica continua	si
micrometric adjustment stepless	yes
produttività oraria / hourly output	10 / 25 / 30 (Kg/h)
capacità campana / bean storage capacity	1,4 (Kg) / 3,08 (lb)

DIMENSIONI / DIMENSIONS

altezza (inclusa campana) height (hopper included)	645 (mm) / 25,39 (in)
altezza (esclusa campana) height (hopper not included)	413 (mm) / 16,26 (in)
larghezza / width	184 (mm) / 9,44 (in)
profondità / depth	267 (mm) / 19,25 (in)
peso / weight	11,5 (Kg) con macine da 65 25,35 (lb) with burrs from 65 15 (Kg) con macine da 75/85 33 (lb) with burrs from 75/85



BOEMA

02 9756 4744
sales@boema.com.au
www.boema.com.au

BOEMA COFFEE MACHINES
Unit 8/1 Cowpasture Pl,
Wetherill Park NSW 2164