

Technical data sheet for

## E28D4 ON THE SK2731N / SK2731U STAND

Full Size Digital / Electric Convection Oven  
on a Stainless Steel Stand



E28D4

Unit shall be a Moffat electrically heated Turbofan convection oven. The oven shall have a one piece porcelain enameled oven chamber, stainless top and sides and safe touch vented easy clean drop down door. Oven shall have capacity for four full size sheet pans. The oven shall have 5.8kW heating elements. The oven shall have twin bi-directional single reversing fans and feature a single halogen oven lamp. The oven shall be controlled by an electronic control having separate digital displays and adjusting knobs for time and temperature functions. The oven control shall allow both manual and programmed operating modes with programmable steam injection and 3 stage cooking. Oven shall be able to be bench mounted on 76mm feet or mounted on oven stand models SK2731N or SK2731U. Unit shall be supplied in 100% recyclable shipping packaging.

SK2731N

Unit shall be a Moffat Turbofan stainless steel oven stand. The stand shall be constructed from stainless steel tube with castors, with front castors having dual swivel and wheel locks. It shall be fitted with 6 tray runners suitable for up to 600 x 400 trays and GN 1/1 pans. The stand shall be fully compatible with, and support, Turbofan Convection Oven models E27, E28, and E31. Unit shall be supplied in 100% recyclable shipping packaging.

SK2731U Unit shall be a Moffat Turbofan stainless steel oven stand. The stand shall be constructed from stainless steel tube with castors, with front castors having dual swivel and wheel locks. It shall be fitted with 6 tray runners suitable for up to 12 half size sheet pans or 6 full size sheet pans. The stand shall be fully compatible with, and support, Turbofan Convection Oven models E27, E28, and E31. Unit shall be supplied in 100% recyclable shipping packaging.

### STANDARD FEATURES

- 4 460mm x 660mm / 18" x 26" full size sheet pan capacity
- 4 400mm x 600mm tray capacity
- 80mm tray spacing
- Compact 810mm width
- Digital display Time and Temperature controls
- Large easy view ¾" / 20mm high displays
- Electronic thermostat control
- Electronic timer
- Manual mode and Program mode
- 20 programs with 3 stage cooking and stage end alarms
- Steam injection mode and manual injection
- Twin bi-directional reversing fans
- 5.6kW heating power
- Vitreous enamel oven chamber
- Plug-in continuous oven door seal
- Safe-Touch vented drop down door
- Stay-Cool door handle
- Heavy-duty door hinges
- Easy clean door glass system
- Dual halogen oven lamps
- Twin dia. 180mm full stainless steel oven fans
- Anti-skid 50mm dia. 76mm high adjustable stainless steel feet
- 4 oven wire racks supplied
- 100% recyclable packaging

### ACCESSORIES

- Turbofan SK2731N Oven Stand suits 400mm x 600mm trays and GN 1/1 pans
- Turbofan SK2731U Oven Stand suits 460mm x 660mm / 18" x 26" pans

### E28D4 Full Size Manual / Electric Convection Oven on a Stainless Steel Stand

#### CONSTRUCTION

Vitreous enamel fully welded oven chamber  
Stainless steel front, sides and top exterior  
Stainless steel oven fan baffle and oven vent  
Removable 4 position chrome plated wire side racks  
Oven racks chrome plated wire (4 supplied)  
Stainless steel frame drop down hinged door  
5mm thick door outer glass  
5mm thick low energy loss door inner glass  
Heavy-duty counterbalanced door hinges  
Wear resistant powder coated welded door handle  
Stainless steel control panel  
Aluminised coated steel base and rear panels

#### CONTROLS

Electronic controls with Digital Time and Temperature display, Manual or Program modes  
Large 20mm high LED displays  
Two individual time and temperature setting control knobs  
ON/OFF and Oven Lights key  
Timer Start/Stop key  
Steam injection key  
Programs select key  
Actual temperature display key  
Adjustable buzzer/alarm volume  
Thermostat range 50-260°C  
Timer range from 180 minutes in countdown mode  
Timer range up to 999 minutes in time count mode for holding, slow cooking  
Over-temperature safety cut-out

#### CLEANING

Stainless steel top and sides continuous exterior panel  
Vitreous enamel oven chamber  
Fully removable chrome plated oven side racks  
Removable stainless steel oven fan baffle  
Full stainless steel oven fans  
Easy clean door system with hinge out door inner glass (no tools required)  
Removable plug-in oven door seal (no tools required)  
76mm high stainless steel feet for easy access underside

#### SPECIFICATIONS

Electrical Requirements  
230-240V, 50/60Hz, 1P+N+E, 5.8kW, 25A  
No cordset supplied  
Water Requirements (optional)  
Cold water connection 3/4" BSP male  
80psi maximum inlet pressure / 20psi minimum inlet pressure  
External Dimensions  
Width 810mm  
Height 662mm including 76mm feet  
Depth 762mm

#### Oven Internal Dimensions

Width 695mm  
Height 355mm  
Depth 470mm  
Volume 0.116m<sup>3</sup>

#### Oven Rack Dimensions

Width 660mm  
Depth 460mm

#### Nett Weight (E28D4)

69.5kg

#### Packing Data (E28D4)

86.5kg  
0.55m<sup>3</sup>  
Width 870mm  
Height 755mm  
Depth 835mm

### SK2731N / U Stainless Steel Stand

All stainless steel welded frame oven stand for Turbofan E27, E28 and E31 Series model ovens  
6 position tray runners standard  
4 76mm diameter wheel swivel castors standard with 2 front castors with dual swivel and wheel lock  
Welded 38mm and 32mm square tube front and rear frames  
Welded rack supports/side frames  
Top frame oven supports suit Turbofan E27, E28 and E31 Series oven mounting  
Supplied CKD for assembly on site

#### External Dimensions (SK2731N / U Oven Stand)

Width 810mm  
Height 880mm  
Depth 650mm

#### Nett Weight (SK2731N / U Oven Stand)

19.5kg

#### Packing Data (SK2731N / U Oven Stand)

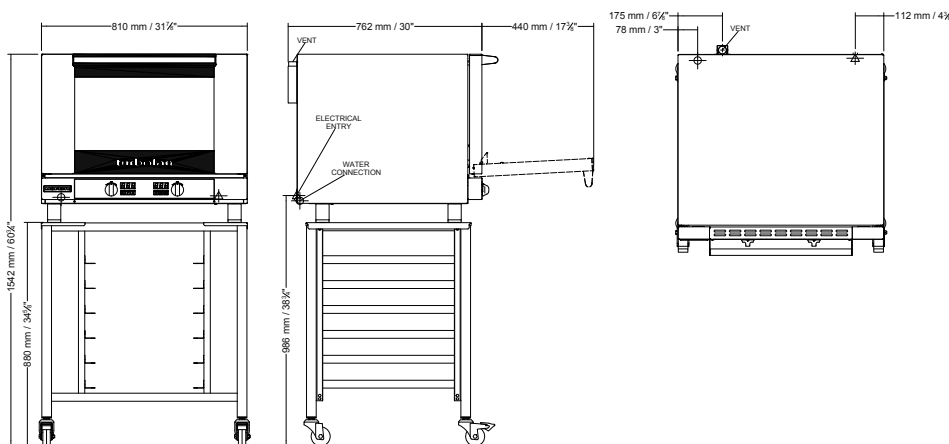
22kg  
0.11m<sup>3</sup>  
Width 830mm  
Height 900mm  
Depth 152mm  
Supplied CKD for assembly on site

#### INSTALLATION CLEARANCES

Rear 25mm  
LH Side 25mm  
RH Side 25mm

#### CLEARANCE FROM SOURCES OF HEAT

A minimum distance of 300mm from the appliance sides is required



Australia  
www.moffat.com.au  
New Zealand  
www.moffat.co.nz  
www.turbofanoven.com

#### Australia

#### Moffat Pty Limited

Victoria/Tasmania  
740 Springvale Road  
Mulgrave, Victoria 3170  
Telephone 03-9518 3888  
Facsimile 03-9518 3833  
vsales@moffat.com.au

#### New South Wales

Telephone 02-8833 4111  
nswsales@moffat.com.au

#### South Australia

Telephone 03-9518 3888  
vsales@moffat.com.au

#### Queensland

Telephone 07-3630 8600  
qldsales@moffat.com.au

#### Western Australia

Telephone 08-9202 6820  
bgarcia@moffat.com.au

#### New Zealand

#### Moffat Limited

Christchurch  
45 Illinois Drive  
Izone Business Hub  
Rolleston 7675  
Telephone +64 3-983 6600  
Facsimile +64 3-983 6660  
sales@moffat.co.nz

#### Auckland

Telephone 09-574 3150  
sales@moffat.co.nz



ISO9001  
Quality  
Management  
Standard

Designed and manufactured by



#### ISO9001

All Turbofan products are designed and manufactured by Moffat using the internationally recognised ISO9001 quality management system, covering design, manufacture and final inspection, ensuring consistent high quality at all times.

In line with policy to continually develop and improve its products, Moffat Limited reserves the right to change specifications and design without notice.



© Copyright Moffat Ltd  
AN.TFN.S.1501