

E5-20

Tecnomac®

Blast chiller-freezers



Stainless Steel AISI 304

CAPACITY

5



+95°C → +3°C

20 KG

Trays
600 x 400 mm
or GN 1/1 or
6 x 5 lt ice cream bins



+95°C → -18°C

12 KG

TRAY PITCH

68 mm

STANDARD



HACCP INTERNAL DATA
STORAGE CARD WITH
BUILT IN USB PORT

OPTIONS



STERILISING UV LAMP



PASTRY TRAYS (STEP 10 mm)



CASTORS KIT 898 mm(H)
ROLLERS KIT 870 mm(H)



PASTRY TRAYS (STEP 68 mm)

Specifications

Power supply		240V / 1N / 50Hz
Item code no		E5-20
External width		800 mm
External depth		700 mm
External height on legs		900-930 mm
Capacity	GN 1/1 600 x 400	5
Compressor	Hermetic	Hermetic
Output chilling	kg (t = 90') +95°C to +3°C	20
Output freezing	kg (t = 270') +95°C to -18°C	12
Refrigeration power	W (-10°C/+45°C)	2241
Refrigerant gas		R 404A 1300 g
Electronic central unit		BASE
Absorbed power		1350W / 6.5amp
Noise	dbA	62
Weight	Kg	118

24 months materials and labour warranty

NOTE: All chill and freeze times quoted are based on using a 65mm deep GN pan filled to a height of 50mm. The chilling or freezing time will be affected by the density, water, fat and sugar content of the product.

All specification subject to change without notice

from the world of Comcater!

National Head Office
156 Swann Drive
Derrimut VIC 3030
Tel: +61 3 8369 4600
Fax: +61 3 8369 4695

Melbourne
96-100 Tope Street
South Melbourne VIC 3205
Tel: +61 3 8369 4600
Fax: +61 3 8699 1299

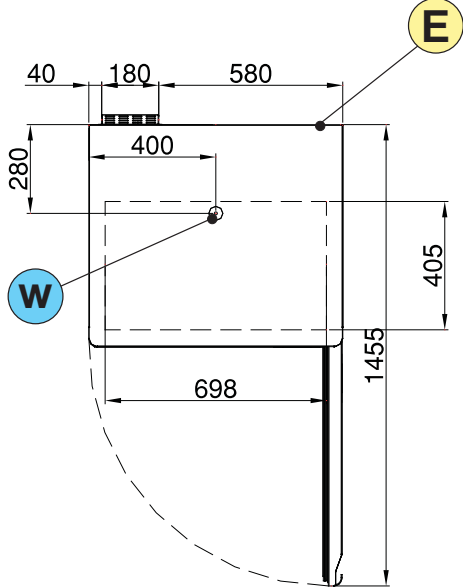
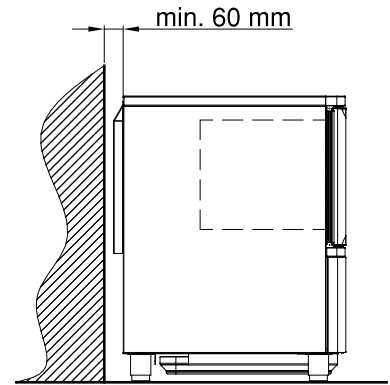
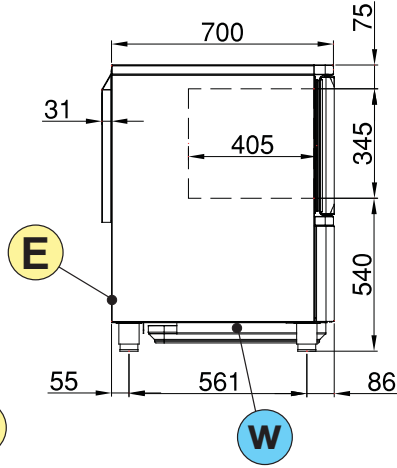
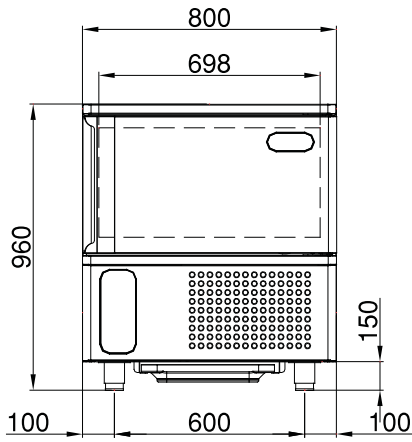
Sydney
20/4 Avenue of the Americas
Newington, NSW 2127
Tel: +61 2 9748 3000
Fax: +61 2 9648 4762

Brisbane
1/62 Borthwick Avenue
Murarrie QLD 4172
Tel: +61 7 3399 3122
Fax: +61 7 3399 5311

Perth
Unit 4/35 Westchester Road
Malaga WA 6090
Tel: +61 8 9248 9290
Fax: +61 8 9248 1903

COMCATER
- foodservice equipment

DIMENSIONS



- E** ELECTRICAL CABLE SUPPLY
- W** DRAINAGE DISCHARGE

CONTROL PANEL

