

# Wash Basin Knee Operated

Type 1

Stoddart Manufacturing designed and introduced the Knee Operated Wash Basin with the full front knee operated panel to provide easy access to hygienic hand washing. A simple nudge with either your left or right knee or thigh activates the timed water flow.

For the design, construction & fit out of food premises (AS 4674) the basin must provide warm running potable water delivered through a single outlet for improved cleaning effectiveness. This can be achieved with addition of the optional Tempering Valve or Thermostatic Mixing Valve.

For additional scald protection of elderly, sick, disabled persons and young children add the optional Thermostatic Mixing Valve.

Models:

**SPPL.WB.KO1.300.xx**

Code explanation:

SPPL = Standard Product Plumbing

WB = Wash Basin

KO1 = Knee operated, without lower plumbing shroud

*Optional Extra Suffixes;*

300 = 300mm splashback

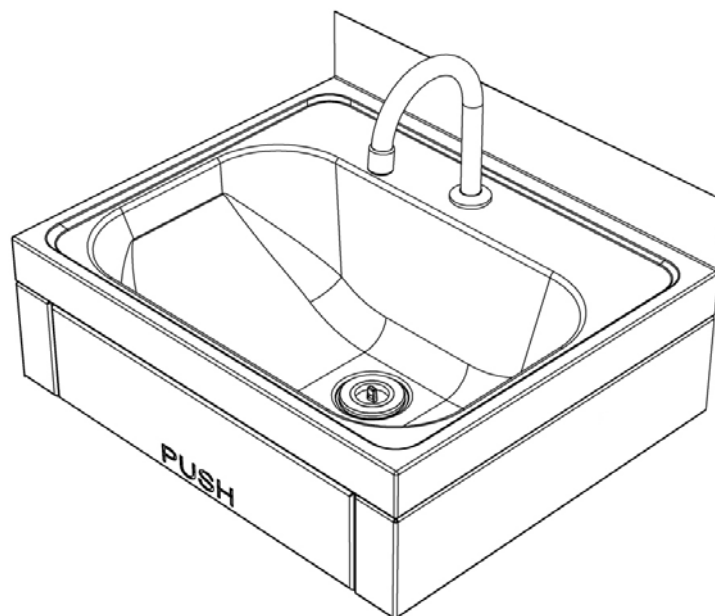
xx = TV – Tempering valve

= TMV – Thermostatic Mixing Valve

= TMVE – Thermostatic Mixing Valve-EN-ATM710

e.g.: for specification and ordering

SPPL.WB.KO1.300.TV



## Features and Benefits:

- This Basin, when fitted with a tempering valve complies with AS4674 for fit out of food premises.
- Tempering Valves and Thermostatic valves used must meet AS 4032.1; Valves for the control of heated water supply temperatures.
- Front panel is pressed with either the left or right knee (or thigh) for hygienic hands free use.
- Pressing the front panel activates a timed flow of water from the spout. Replacement cartridges for the timed flow valve are available as a spare part with 15-30 second or 5-7 second run times.
- Water is supplied through an aerated, high rise spout for easy access and minimal splash.
- Environmentally conscious & WELS rated spout for controlled flow to 7.5 litres per minute.
- Easy-mount single piece wall bracket has multiple fixing holes for quick installation by plumber.
- Is suitable for use where disabled access is required. Refer to AS 1428.



Suitable for use where disabled access is required



Due to continuous product research and development, the information contained herein is subject to change without notification.



# Wash Basin Knee Operated

Type 1

**Specifications:**

**Construction:** 304 grade stainless steel construction, Knee operated valve and spout are pre-plumbed.

**Water Supply:** 15mm (1/2" BSP). For Addition of optional TV or TMV, Hot and cold supplies are required.

Component claimed temperature control;

- Thermostatic Mixing Valve = +/- 2 deg C
- Tempering Valve = +/-3 Deg C

**Waste Connection:** 40mm, supplied.

**Unit Fixing:** Unit is supplied with wall mounting bracket with 10mm fixing holes. Basin is fixed with 6mm fixings.

Optional TV or TMV is supplied as loose kit part for Plumber to install in compliance with regulations.

**Disabled Fixing Height:** The unit can be mounted at 800mm above finished floor level for disabled user access.

**Models:**

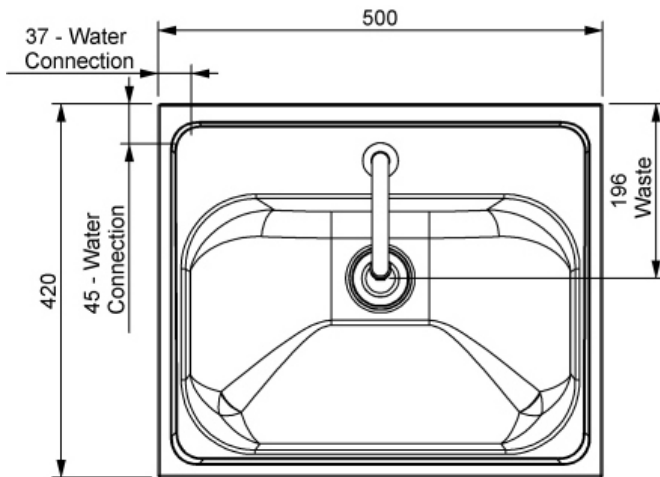
**SPPL.WB.KO1.300.xx**

**Code explanation:**

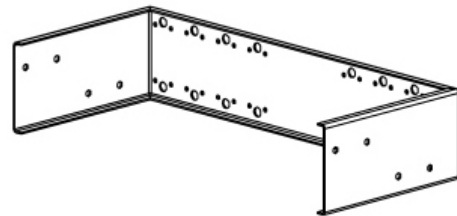
SPPL = Standard Product Plumbing  
 WB = Wash Basin  
 KO1 = Knee operated, without lower plumbing shroud  
*Optional Extra Suffixes;*  
 300 = 300mm splashback  
 xx = TV – Tempering valve  
 = TMV – Thermostatic Mixing Valve  
 = TMVE – Thermostatic Mixing Valve-EN-ATM710

e.g.: for specification and ordering

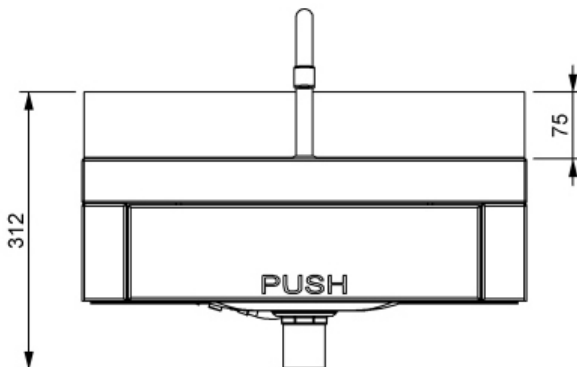
SPPL.WB.KO1.300.TV



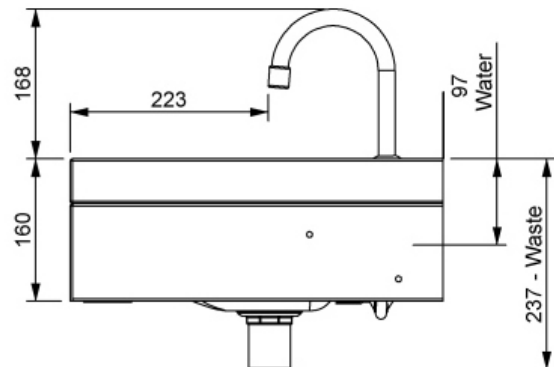
PLAN VIEW



WALL BRACKET



FRONT VIEW



END VIEW

Model No.	Length (mm)	Width (mm)	Height (mm)
SPPL.WB.KO1.300.xx	500	420	160 (326 with spout)

Due to continuous product research and development, the information contained herein is subject to change without notification.