

**Warewashing
Cafè Line Undercounter Dishwasher
with drain pump & detergent dispenser**

ITEM # _____

MODEL # _____

NAME # _____

SIS # _____

AIA # _____



Warewashing

Cafè Line Undercounter Dishwasher with drain pump & detergent dispenser

502038 (EUCAICL)	Cafè Line Undercounter Dishwasher with drain pump & detergent dispenser - 400 V/3N/50 Hz
502039 (EUCAICLG)	Cafè Line Undercounter Dishwasher with drain pump & detergent dispenser - 230 V/1N/50 Hz

Short Form Specification

Item No. _____

304 AISI stainless steel front and side panels, door, wash tank, tank filters and wash and rinse arms. Double skinned construction. Double skinned, counterbalanced door. Wash tank with rounded corners. 3 wash cycles 90/120/240 seconds. Soft start wash pump to avoid accidental breakage of dishes/glasses. Washing system with rotating washing arms, large capacity wash pump and tank volume. Built-in atmospheric boiler (9 kW), 12 liter capacity, with rinse pump to guarantee a constant hot rinse temperature of 84°C. The correct water temperature and pressure are maintained during the rinse phase to guarantee a perfect rinsing performance independent from the water pressure in the network (min. 0,5 bar). Boiler with 304L welding for protection against corrosion. Automatic boiler emptying function. Drain pump. Electronic controls with temperature display. External connecting box protected by a waterproof plastic cover. High efficiency air gap (class A) in water inlet circuit to avoid water being syphoned back into the network as a result of a sudden drop in mains pressure. Fault auto-diagnosis system. Pre-arrangements for HACCP system implementation and energy Management device. Self-cleaning cycle. Rinse aid dispenser. Detergent dispenser. Rinse Cycle "Okay" Indicator. Rinse aid and detergent level sensors. Wheels.

Hourly capacity: 720 dishes/40 baskets mm500x500.
Supplied with: n. 1 basket for plates, n. 1 basket for cups and n. 2 cutlery holders.

Main Features

- Built-in atmospheric boiler sized to raise incoming 10 °C water to 84 °C minimum for sanitizing rinse. No external booster is required.
- Built-in rinse aid and detergent dispenser with automatic initial and continuous cycle loading for perfect result while minimizing service and maintenance needs.
- Constant temperature of 84 °C throughout the rinsing cycle regardless of the network's water pressure and temperature.
- Unique temperature interlock guarantees required temperatures in both the wash and final rinse.
- Washing capacity of 40 baskets or 720 dishes per hour.
- 90/120/240 seconds cycle.
- Incorporated Soft Start feature to offer additional protection to more delicate items.
- High efficiency air gap (class A) in water inlet circuit to avoid water being siphoned back into the network as a result of a sudden drop in main pressures.
- 4 second (variable) pause after washing and before rinsing ensures that no drops of unclean water will fall on the clean items at the end of the rinsing cycle.
- Fault auto-diagnosis system.
- An effective rinse system uses only 3 litres of clean hot water per basket for lower running costs.
- Double skinned insulated wall ensures a low noise level and a reduction in heat loss from the machine.
- Utilizes fresh hot rinse water.
- Unique strainer to enhance soil filtering.
- Three phase or single phase electrical connection, convertible on-site.
- Low noise level.
- IPX 4 water protection.
- State-of-the-art electronic controls with built-in programming, self-diagnostics for serviceability and automatic interior self-cleaning cycle.
- Digital read-out keeps operator informed as to cycle status as well as temperatures.

Construction

- Incorporated drain pump to control water level in wash tank draining.
- Heavy duty Stainless steel construction.
- Internal cavity as well as exterior panels are all 304 series Stainless steel.
- Special designed Stainless steel nozzles provide superior cleaning action.

APPROVAL: _____

- Revolving Stainless steel wash/rinse arms above and below the basket.
 - Interchangeable wash/rinse arms screw out for simple clean up.
 - Large deep drawn wash tank and internal wash area with round corners and no pipes to avoid dirt built-up.
 - Element protection from dry fire and low water.
 - 4 rollers under the machine to allow it to be easily extracted for cleaning.
 - The boiler drain facilitates the evacuation of stagnant water after long periods of inactivity to ensure a higher level of hygiene.
- Basket for 5 trays 530x325 mm - red, for undercounter (top level), utensil dishwashers, hood type, rack type PNC 867006
 - Basket for 48 small cups or 24 cups - blue PNC 867007
 - Wire basket for 12 plates up to 320 mm PNC 867014
 - Cover rack for small and light items (500x500 baskets) PNC 867016
 - Basket for long stem wine glasses PNC 867019
 - Basket for 16 vertical glasses (h 70 mm - diam 100 mm) - blue PNC 867023
 - Basket semi-professional 500x500x190mm PNC 867024

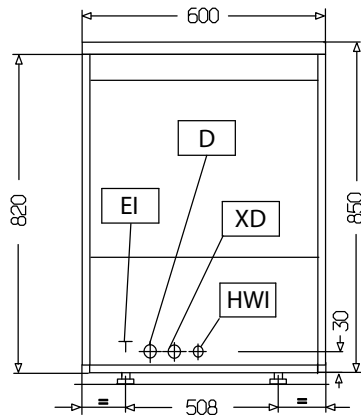
Included Accessories

- 2 of Yellow cutlery container PNC 864242
- 1 of Basket for 18 dinner plates - yellow PNC 867002
- 1 of Basket for 48 small cups or 24 cups - blue PNC 867007

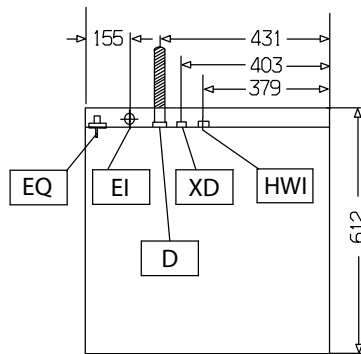
Optional Accessories

- 12lt external manual water softener PNC 860412
- 8lt external automatic water softener PNC 860413
- Stand for undercounter dishwasher PNC 860418
- 20lt external manual water softener PNC 860430
- Integrated HACCP kit PNC 864001
- HACCP printer kit PNC 864002
- Kit 4 castors for double skin undercounter dishwashers PNC 864008
- Filter for partial demineralization PNC 864017
- Kit to measure total and partial water hardness PNC 864050
- Yellow cutlery container PNC 864242
- AISI 304 stainless steel back panel for undercounters EUCAI, with a window for air gap (only for 502039) PNC 864269
- AISI 304 stainless steel back panel for undercounters EUCL and EUCAI (only for 502038) PNC 864298
- Filter for total demineralization PNC 864367
- Reverse osmosis filter for single tank dishwasher with atmosphere boiler PNC 864388
- Pressure reducer for single tank dishwasher PNC 864461
- Half size basket universal PNC 864527
- Half size basket for plates PNC 864528
- Half size basket for glasses PNC 864529
- Kit 4 plastic boxes for cutlery - yellow PNC 865574
- Basket for 18 dinner plates - yellow PNC 867002

Front

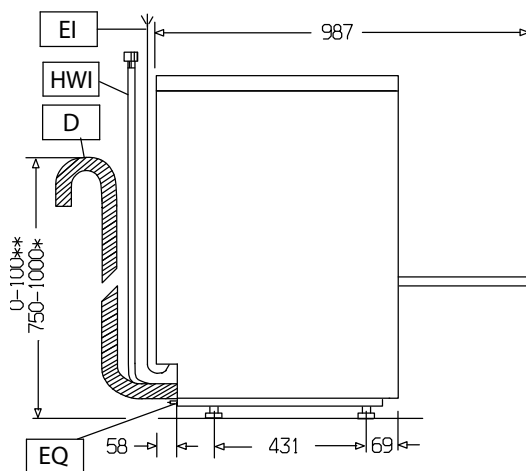


Top



- | | |
|----------------------------|---------------------------|
| AV = Air vents | WI = Water inlet |
| D = Drain | XD = Detergent connection |
| EI = Electrical connection | XR = Rinse aid connection |
| EO = Electrical Outlet | |
| EQ = Equipotential screw | |
| H- = Hot water inlet | |

Side



Electric

Supply voltage:

502038 (EUCAICL)	400 V/3N ph/50 Hz
502039 (EUCAICLG)	230 V/1N ph/50 Hz

Convertible to:

502038 (EUCAICL)	230V 3~; 230V 1N~
502039 (EUCAICLG)	400V 3N~; 230V 3~

Total Watts:

502038 (EUCAICL)	9.85 kW
502039 (EUCAICLG)	6.85 kW

Boiler heating elements:

502038 (EUCAICL)	9 kW
502039 (EUCAICLG)	6 kW

Tank heating elements:

	2 kW
--	------

Wash pump size:

0.736 kW

Water:

Water supply temperature:	50 °C
Inlet Water supply pressure:	7 - 102 psi (0.5 - 7 bar)
Water consumption per cycle (lt):	3
Working cycles time (sec.):	90/120/240
Boiler Capacity (lt):	12
Tank Capacity (lt):	23
Drain line size:	20.5mm
Washing cycle temperature:	55-65 °C
Washing tank capacity (lt):	23
Washing cycle pump power:	0.736 kW
Washing cycle electrical elements:	2 kW
Hot rinse cycle duration (sec.):	12
Hot rinse cycle temperature:	84 °C
Hot rinse cycle water consumption (lt):	3

Key Information:

N° of working cycles - sec.:	3 (90/120/240)
Baskets per hour:	40
Dishes per hour:	720
Wash temperature (MIN):	55-65°C
Rinse temperature (MIN):	84 °C
External dimensions, Height:	850 mm
External dimensions, Width:	600 mm
External dimensions, Depth:	612 mm
Noise level:	<65 dBA
Dishes capacity:	720/hr
Basket capacity:	40/h
Cell dimensions - width:	500 mm
Cell dimensions - depth:	500 mm
Cell dimensions - height:	335 mm